



SITESCAPES

P.O. Box 22326
Lincoln, NE 68542

PF: 402/421-9464
FX: 402/421-9479

WEBSITE: www.sitescapesonline.com
E-MAIL: info@sitescapesonline.com

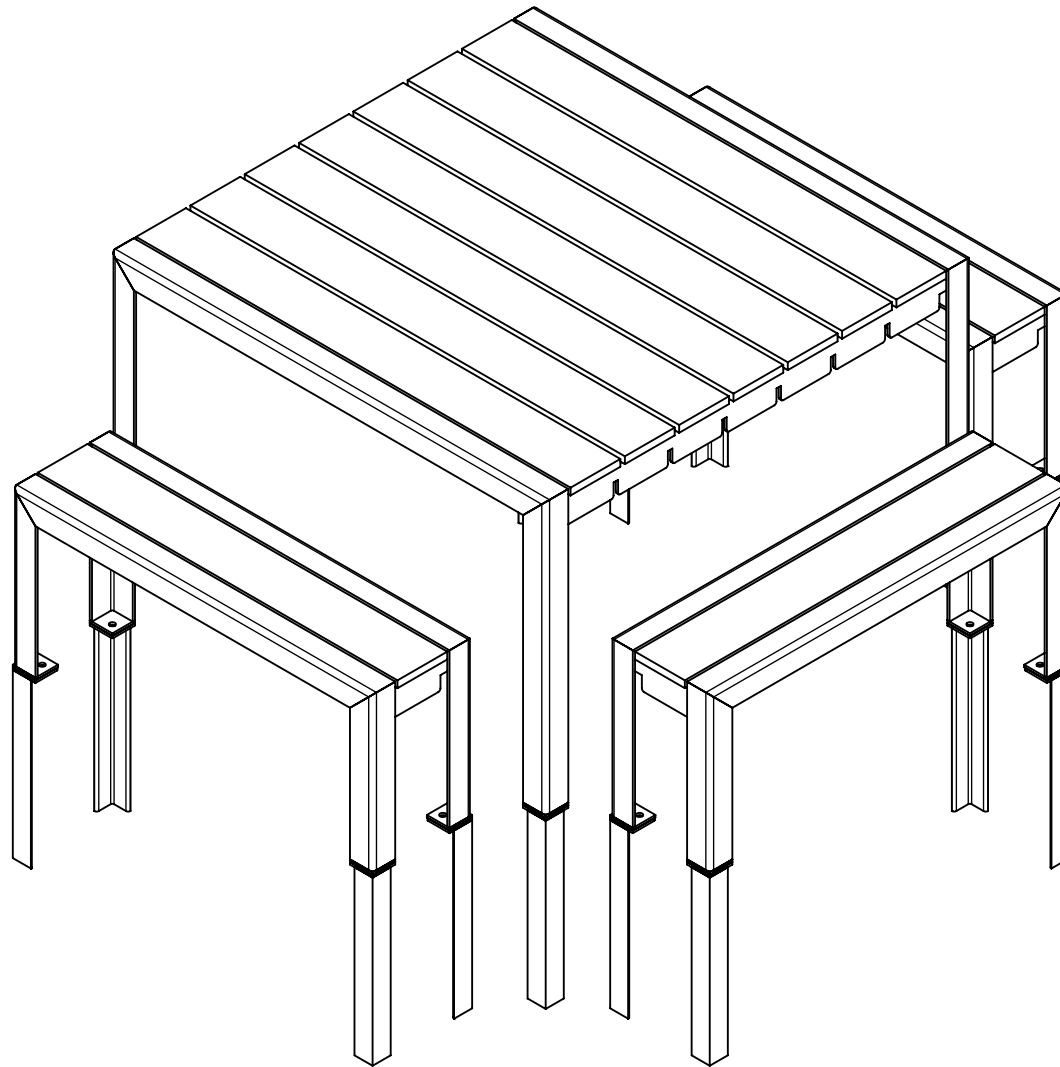
TITLE *WYNNE*
TABLE & BENCHES

PRODUCT NO.
WN6-3232

INCH TOLERANCES U.O.S.
FRACTION-- $\pm 1/16"$
ANG----- $\pm 1^\circ$

THE INFORMATION CONTAINED IN THIS DRAWING IS THE SOLE PROPERTY OF SITESCAPES, INC. ANY REPRODUCTION IN PART OR AS A WHOLE WITHOUT THE WRITTEN PERMISSION OF SITESCAPES, INC. IS PROHIBITED.

*Available in powder coat and DuraCoat finishes





SITESCAPES

P.O. Box 22326
Lincoln, NE 68542

PF: 402/421-9464
FX: 402/421-9479

WEBSITE: www.sitescapesonline.com
E-MAIL: info@sitescapesonline.com

TITLE **WYNNE**
TABLE & BENCHES

PRODUCT NO.
WN6-3232

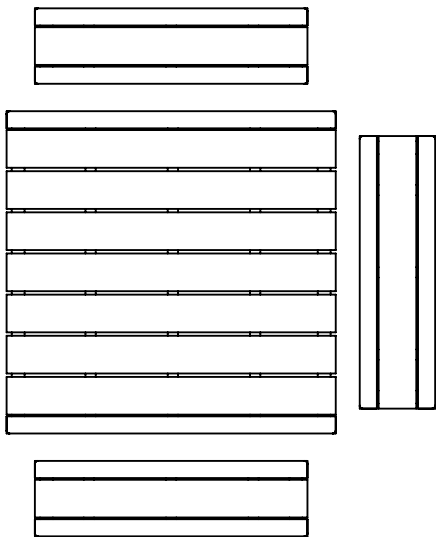
INCH TOLERANCES U.O.S.
FRACTION-- $\pm 1/16"$
ANG----- $\pm 1^\circ$

THE INFORMATION CONTAINED IN THIS DRAWING IS THE SOLE PROPERTY OF SITESCAPES, INC. ANY REPRODUCTION IN PART OR AS A WHOLE WITHOUT THE WRITTEN PERMISSION OF SITESCAPES, INC. IS PROHIBITED.

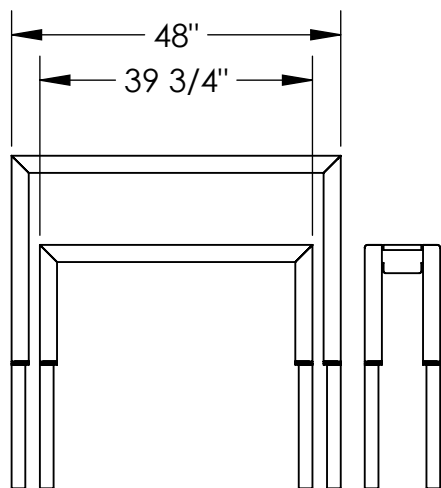
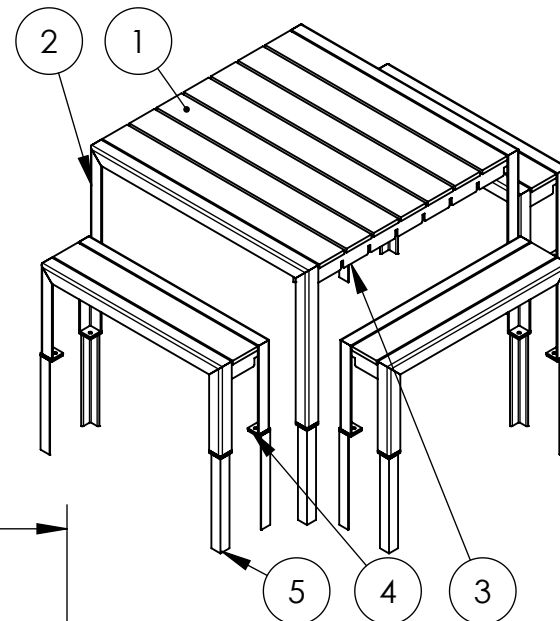
*Available in powder coat and DuraCoat finishes

MATERIALS LIST:

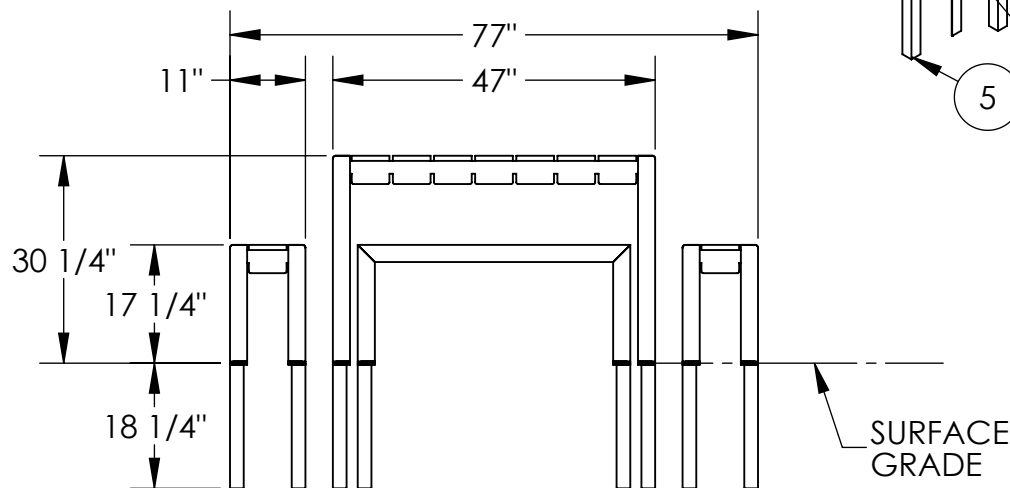
- (1) Table/Bench Slats - 1" x 6" Nominal Ipe Wood
- (2) Frame - 2 1/2" x 1/4" Steel Angle
- (3) Support Plates - 1/4" Steel Plate
- (4) Surface Plates - 1/4" Stainless Steel Plate
- (5) Embedded Angles - 2" x 1/4" Steel Angle



TOP VIEW



FRONT VIEW



RIGHT SIDE VIEW