



SITESCAPES

P.O. Box 22326
Lincoln, NE 68542

PF: 402/421-9464
FX: 402/421-9479

WEBSITE: www.sitescapesonline.com
E-MAIL: info@sitescapesonline.com

TITLE *TALLGRASS
CAROUSEL TABLE*

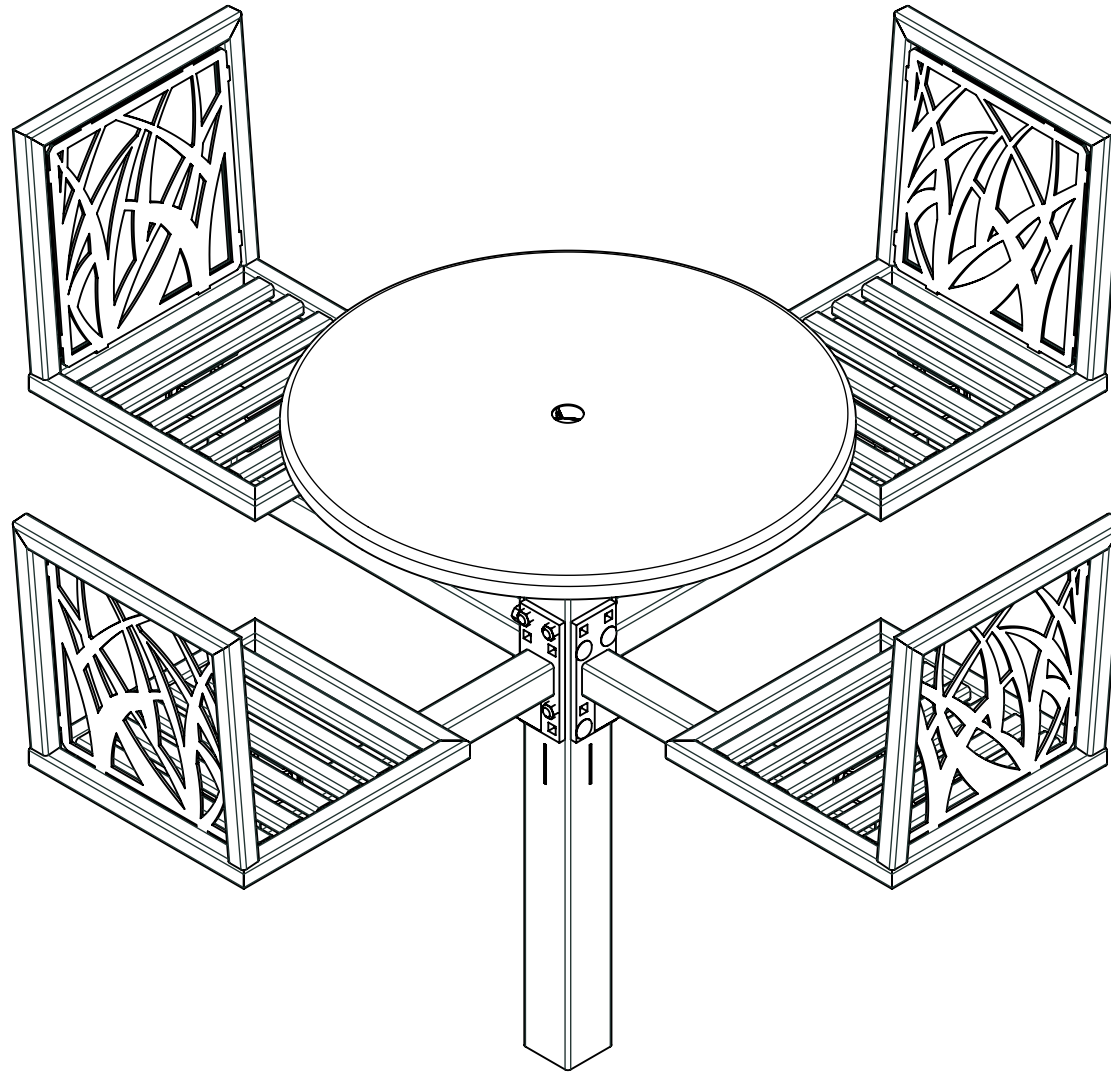
PRODUCT NO.
TG6-1124

INCH TOLERANCES U.O.S.

FRACTION-- $\pm 1/16"$
ANG----- $\pm 1^\circ$

THE INFORMATION CONTAINED IN THIS DRAWING IS THE SOLE PROPERTY OF SITESCAPES, INC. ANY REPRODUCTION IN PART OR AS A WHOLE WITHOUT THE WRITTEN PERMISSION OF SITESCAPES, INC. IS PROHIBITED.

*Available in powder coat and DuraCoat finishes





SITESCAPES

P.O. Box 22326
Lincoln, NE 68542

PF: 402/421-9464
FX: 402/421-9479

WEBSITE: www.sitescapesonline.com
E-MAIL: info@sitescapesonline.com

TITLE
**TALLGRASS
CAROUSEL TABLE**

PRODUCT NO.
TG6-1124

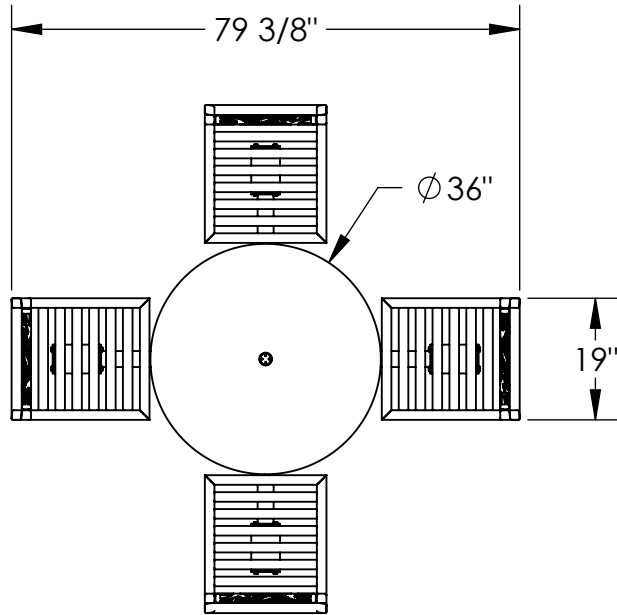
FRACTION-- $\pm 1/16"$
ANG----- $\pm 1^\circ$

THE INFORMATION CONTAINED IN THIS DRAWING IS THE SOLE PROPERTY OF SITESCAPES, INC. ANY REPRODUCTION IN PART OR AS A WHOLE WITHOUT THE WRITTEN PERMISSION OF SITESCAPES, INC. IS PROHIBITED.

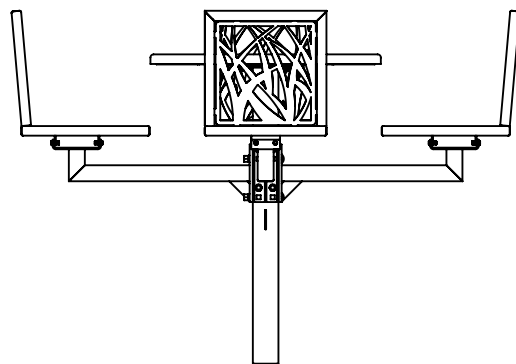
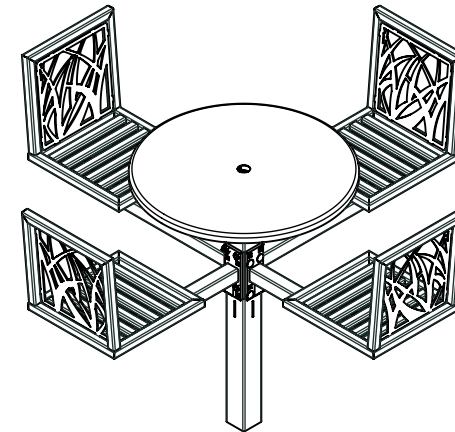
*Available in powder coat and DuraCoat finishes

MATERIALS LIST:

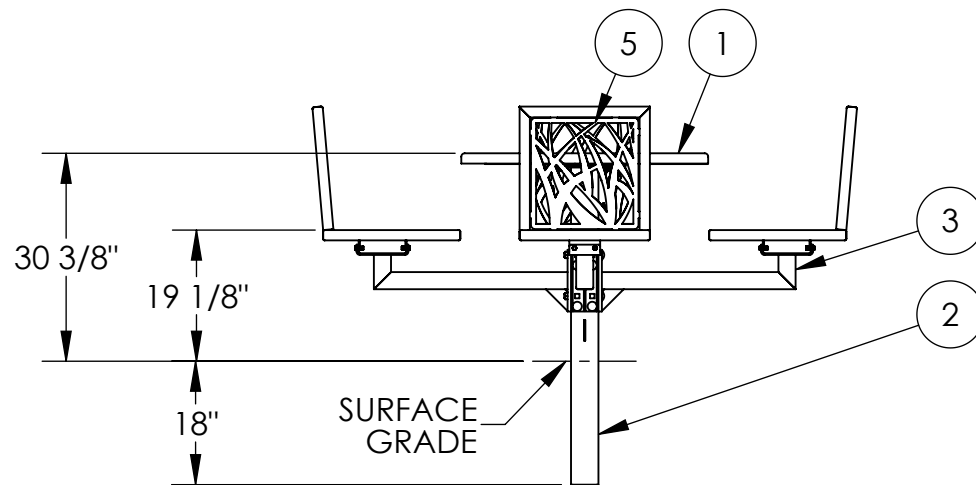
- (1) Table Top - 14 Gauge Spun Stainless Steel
- (2) Table Top Post - 4" Sq. x 1/8" Wall Steel Tubing
- (3) Chair Support Tubes - 2 1/2" Sq. x 1/8" Wall Steel Tubing
- (4) Chair Frame- 1 1/2" Sq. x 1/8" Wall Steel Tubing
- (5) Chair Panels - 7 Gauge Mild Steel Plate



TOP VIEW



FRONT VIEW



RIGHT SIDE VIEW