



P.O. Box 22326
Lincoln, NE 68542

PF: 402/421-9464 | WEBSITE: www.sitescapesonline.com
FX: 402/421-9479 | E-MAIL: info@sitescapesonline.com

INCH TOLERANCES U.O.S.

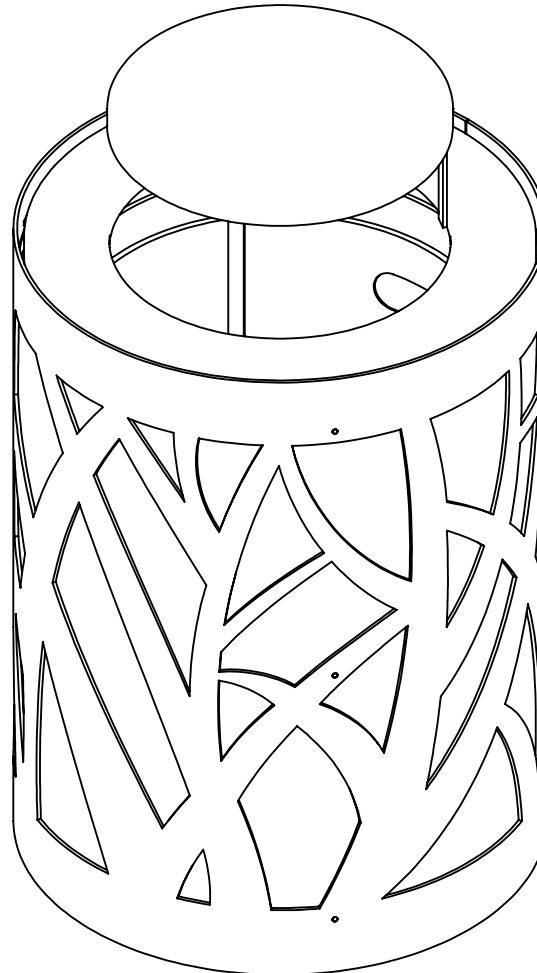
THE INFORMATION CONTAINED IN THIS DRAWING IS THE SOLE PROPERTY OF SITESCAPES, INC. ANY REPRODUCTION IN PART OR AS A WHOLE WITHOUT THE WRITTEN PERMISSION OF SITESCAPES, INC. IS PROHIBITED.

TITLE *TALLGRASS
TRASH RECEPTACLE*

PRODUCT NO.
TG2-3001

FRACTION-- $\pm 1/16"$
ANG----- $\pm 1^\circ$

*Available in powder coat and DuraCoat finishes





P.O. Box 22326
Lincoln, NE 68542

PF: 402/421-9464 | WEBSITE: www.sitescapesonline.com
FX: 402/421-9479 | E-MAIL: info@sitescapesonline.com

INCH TOLERANCES U.O.S.

FRACTION-- $\pm 1/16$ "
ANG----- $\pm 1^\circ$

THE INFORMATION CONTAINED IN THIS DRAWING IS THE SOLE PROPERTY OF SITESCAPES, INC. ANY REPRODUCTION IN PART OR AS A WHOLE WITHOUT THE WRITTEN PERMISSION OF SITESCAPES, INC. IS PROHIBITED.

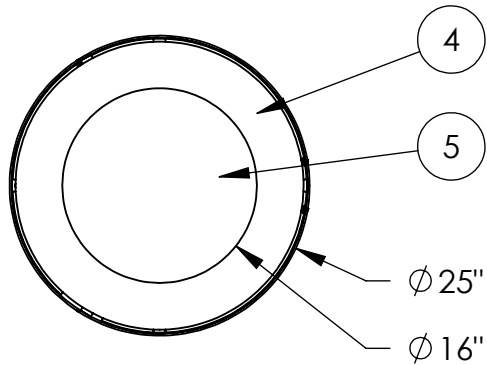
TITLE *TALLGRASS TRASH RECEPTACLE*

PRODUCT NO. *TG2-3001*

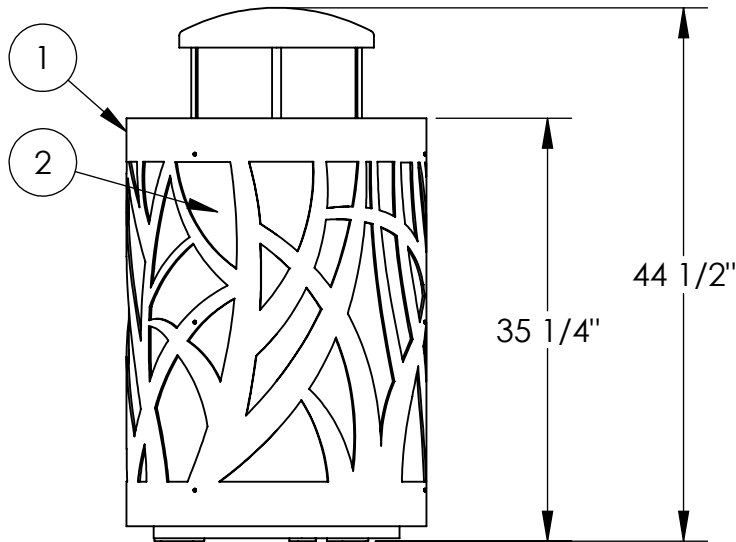
*Available in powder coat and DuraCoat finishes

MATERIALS LIST:

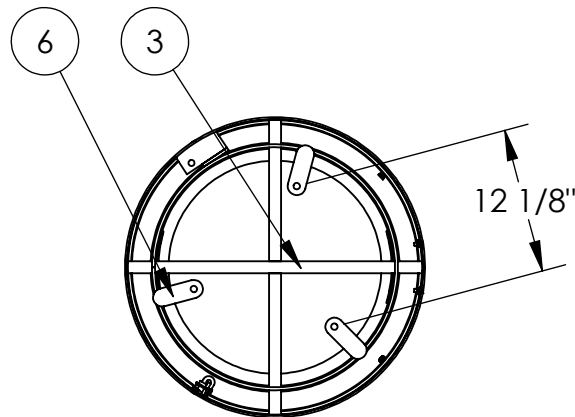
- (1) Container - 7 Gauge Laser Cut Steel
- (2) Backing - 1/16" Aluminum Sheet
- (3) Support Bars - 1" x 3/4" Steel Flat Bar
- (4) Lid - $\phi 24$ " x .075" Wall Steel Lid
Attached to Basket with Stainless Steel Aircraft Cable
- (5) Dome - $\phi 16$ " x .105" Wall Steel Dome
- (6) Surface Mount Plates - 1/4" x 1 1/2" Stainless Steel Plate with 9/16" Mounting Hole
- (7) Mounted with Three $\phi 1/2$ " x 4-5" Stainless Steel Anchor Bolts (Customer Supplied)
- (8) 36 Gallon Rigid Plastic Liner with Handles Included



TOP VIEW



FRONT VIEW



BOTTOM VIEW

