



P.O. Box 22326
Lincoln, NE 68542

PF: 402/421-9464 | WEBSITE: www.sitescapesonline.com
FX: 402/421-9479 | E-MAIL: info@sitescapesonline.com

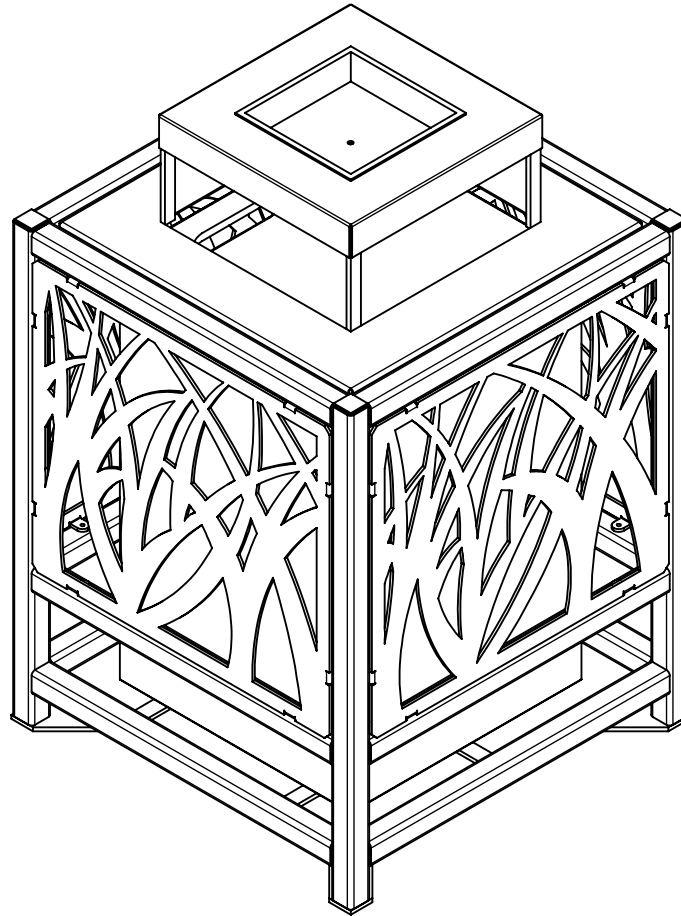
TITLE *TALLGRASS
TRASH RECEPTACLE*

PRODUCT NO.
TG2-2002

INCH TOLERANCES U.O.S.
FRACTION-- $\pm 1/16"$
ANG----- $\pm 1^\circ$

THE INFORMATION CONTAINED IN THIS DRAWING IS THE SOLE PROPERTY OF SITESCAPES, INC. ANY REPRODUCTION IN PART OR AS A WHOLE WITHOUT THE WRITTEN PERMISSION OF SITESCAPES, INC. IS PROHIBITED.

*Available in powder coat and DuraCoat finishes





P.O. Box 22326
Lincoln, NE 68542

PF: 402/421-9464
FX: 402/421-9479

WEBSITE: www.sitescapesonline.com
E-MAIL: info@sitescapesonline.com

TITLE *TALLGRASS
TRASH RECEPTACLE*

PRODUCT NO.
TG2-2002

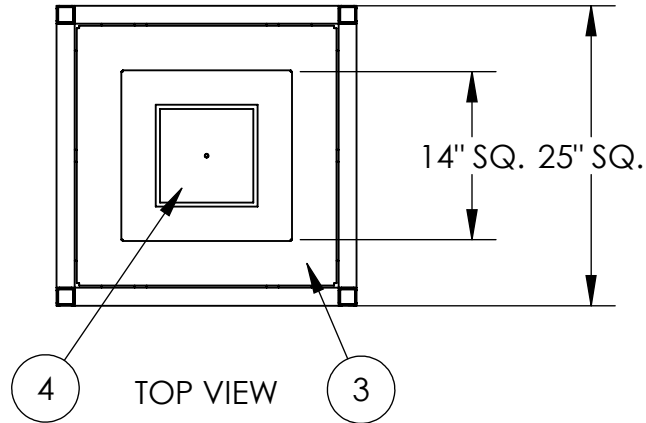
FRACTION-- $\pm 1/16"$
ANG----- $\pm 1^\circ$

THE INFORMATION CONTAINED IN THIS DRAWING IS THE SOLE PROPERTY OF SITESCAPES, INC. ANY REPRODUCTION IN PART OR AS A WHOLE WITHOUT THE WRITTEN PERMISSION OF SITESCAPES, INC. IS PROHIBITED.

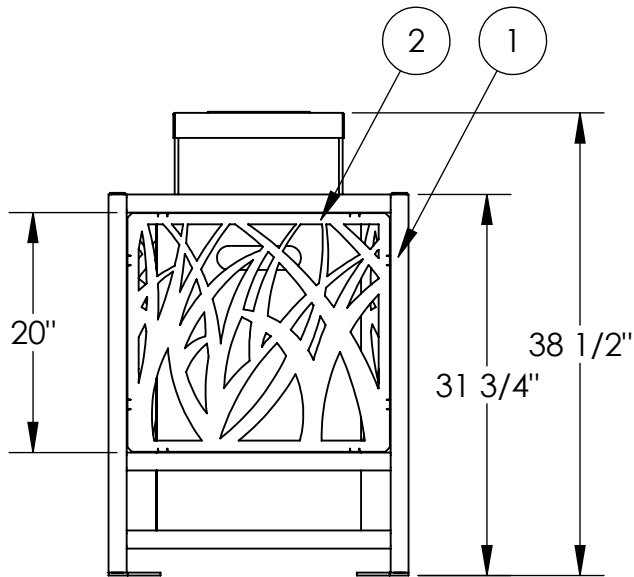
*Available in powder coat and DuraCoat finishes

MATERIALS LIST

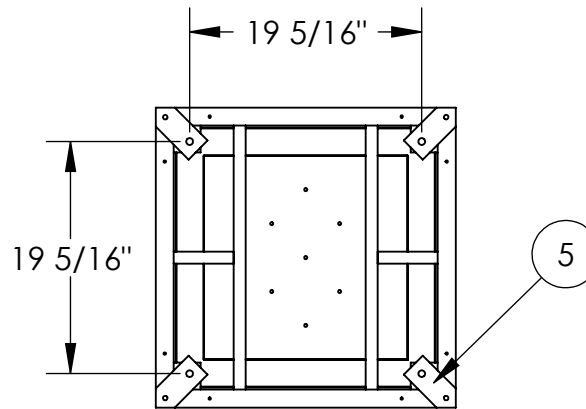
- (1) Frame - 1 1/2" Sq. x 11 Ga. Wall Steel Tubing
- (2) Panels - 7 Ga. Sheet Metal
- (3) Lid - 14 Ga. Sheet Metal
- (4) Ash Pan - 12 Ga. Stainless Steel Sheet Metal
- (5) Foot Plates - 1/4" x 2 1/4" Stainless Steel Bar with $\phi 9/16"$ Mounting Holes
- (6) Mounted with Four $\phi 1/2"$ x 4-5" Stainless Steel Anchor Bolts (Customer Supplied)
- (7) 36 Gallon Plastic Liner with Handles Included



TOP VIEW



FRONT VIEW



BOTTOM VIEW
MOUNTING DETAIL

