



P.O. Box 22326  
Lincoln, NE 68542

PF: 402/421-9464 | WEBSITE: [www.sitescapesonline.com](http://www.sitescapesonline.com)  
FX: 402/421-9479 | E-MAIL: [info@sitescapesonline.com](mailto:info@sitescapesonline.com)

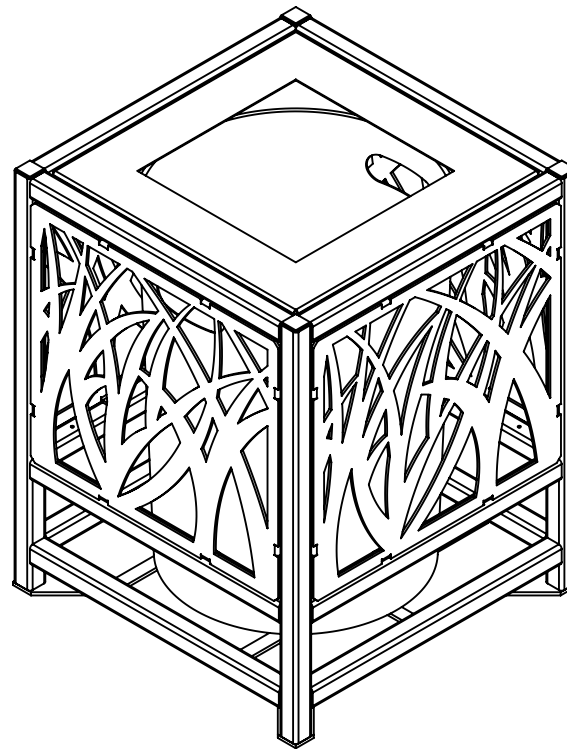
TITLE *TALLGRASS  
TRASH RECEPTACLE*

PRODUCT NO.  
*TG2-2000*

INCH TOLERANCES U.O.S.  
FRACTION--  $\pm 1/16"$   
ANG-----  $\pm 1^\circ$

THE INFORMATION CONTAINED IN THIS DRAWING IS THE SOLE PROPERTY OF SITESCAPES, INC. ANY REPRODUCTION IN PART OR AS A WHOLE WITHOUT THE WRITTEN PERMISSION OF SITESCAPES, INC. IS PROHIBITED.

\*Available in powder coat and DuraCoat finishes





P.O. Box 22326  
Lincoln, NE 68542

PF: 402/421-9464 | WEBSITE: [www.sitescapesonline.com](http://www.sitescapesonline.com)  
FX: 402/421-9479 | E-MAIL: [info@sitescapesonline.com](mailto:info@sitescapesonline.com)

TITLE *TALLGRASS  
TRASH RECEPTACLE*

PRODUCT NO.  
*TG2-2000*

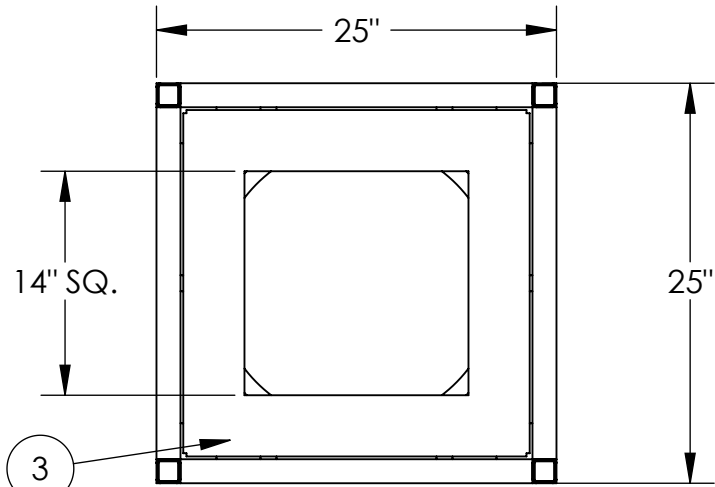
INCH TOLERANCES U.O.S.  
FRACTION--  $\pm 1/16"$   
ANG-----  $\pm 1^\circ$

THE INFORMATION CONTAINED IN THIS DRAWING IS THE SOLE PROPERTY OF SITESCAPES, INC. ANY REPRODUCTION IN PART OR AS A WHOLE WITHOUT THE WRITTEN PERMISSION OF SITESCAPES, INC. IS PROHIBITED.

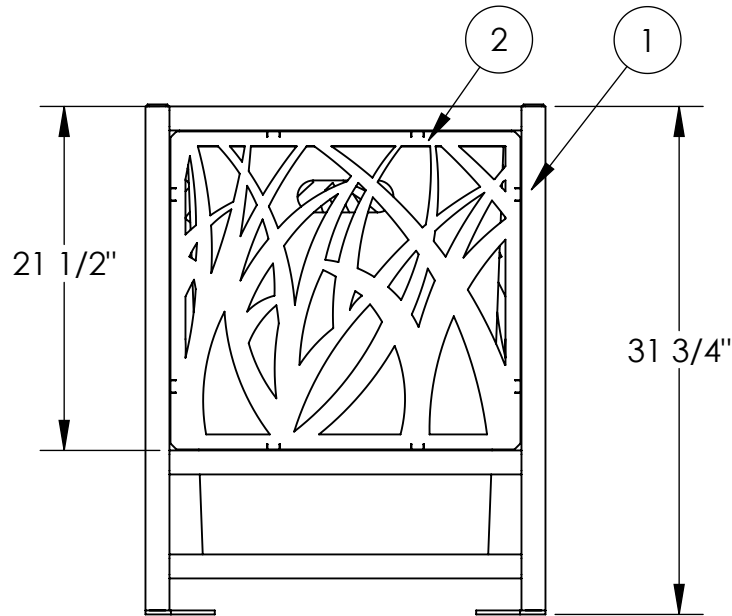
\*Available in powder coat and DuraCoat finishes

MATERIALS LIST

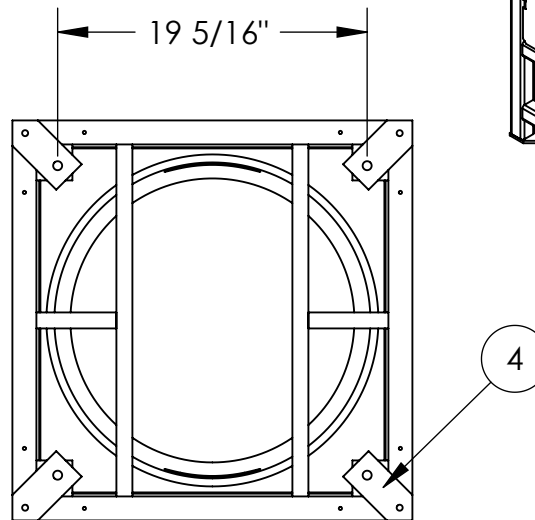
- (1) Frame - 1 1/2" Sq. x 11 Ga. Wall Steel Tubing
- (2) Panels - 7 Ga. Sheet Metal
- (3) Lid - 14 Ga. Sheet Metal
- (4) Foot Plates - 1/4" x 2 1/4" Steel Flat Bar with  $\phi 9/16"$  Mounting Holes
- (5) Mounted with Four  $\phi 1/2"$  x 4-5" Stainless Steel Anchor Bolts (Customer Supplied)
- (6) 36 Gallon Plastic Liner with Handles Included



TOP VIEW



FRONT VIEW



BOTTOM VIEW  
MOUNTING DETAIL

