



P.O. Box 22326
Lincoln, NE 68542

PF: 402/421-9464 | WEBSITE: www.sitescapesonline.com
FX: 402/421-9479 | E-MAIL: info@sitescapesonline.com

INCH TOLERANCES U.O.S.

THE INFORMATION CONTAINED IN THIS DRAWING IS THE SOLE PROPERTY OF SITESCAPES, INC. ANY REPRODUCTION IN PART OR AS A WHOLE WITHOUT THE WRITTEN PERMISSION OF SITESCAPES, INC. IS PROHIBITED.

TITLE *TALLGRASS
TRASH RECEPTACLE*

PRODUCT NO. *TG2-1001*

FRACTION-- $\pm 1/16"$
ANG----- $\pm 1^\circ$

*Available in powder coat and DuraCoat finishes





P.O. Box 22326
Lincoln, NE 68542

PF: 402/421-9464
FX: 402/421-9479

WEBSITE: www.sitescapesonline.com
E-MAIL: info@sitescapesonline.com

TITLE *TALLGRASS
TRASH RECEPTACLE*

PRODUCT NO.
TG2-1001

INCH TOLERANCES U.O.S.

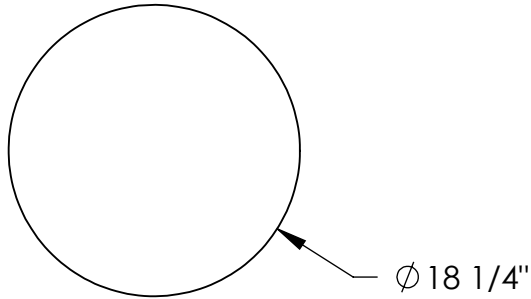
FRACTION-- $\pm 1/16$ "
ANG----- $\pm 1^\circ$

THE INFORMATION CONTAINED IN THIS DRAWING IS THE SOLE PROPERTY OF SITESCAPES, INC. ANY REPRODUCTION IN PART OR AS A WHOLE WITHOUT THE WRITTEN PERMISSION OF SITESCAPES, INC. IS PROHIBITED.

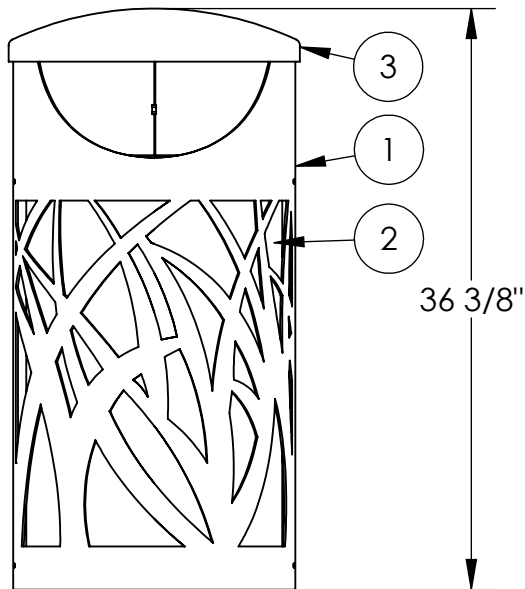
*Available in powder coat and DuraCoat finishes

Materials List

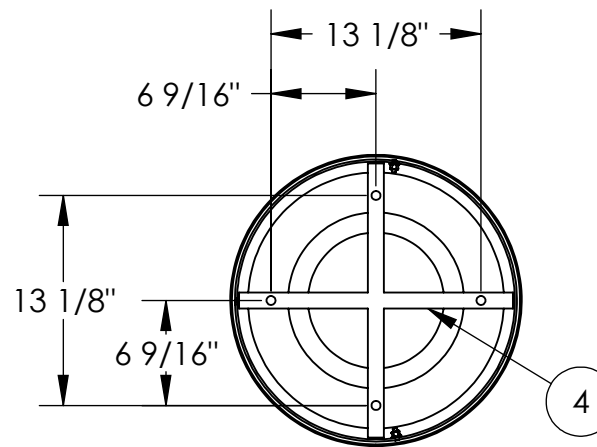
- (1) Outer Shell - 10 Ga. Laser Cut Steel
- (2) Inner Shell - .063" Laser Cut Aluminum
- (3) Domed Lid - ϕ 18" 12 Ga. Spun Steel
- (4) Surface Mount Plate - 10 Ga. Laser Cut Steel
- (5) Mounted with Four ϕ 1/2" x 4-5" Stainless Steel Anchor Bolts (Customer Supplied)
- (6) 18 Gallon Rigid Plastic Liner Included



TOP VIEW



FRONT VIEW



BOTTOM VIEW
MOUNTING DETAIL

