



**siteScapes**

**CityView** Ash Urns



888.331.9464 402.421.9479 fax  
 P.O. Box 22326 Lincoln, NE 68542  
[www.sitescapesonline.com](http://www.sitescapesonline.com)  
[info@sitescapesonline.com](mailto:info@sitescapesonline.com)

# CityView Vertical Strap Ash Urns

### CityView Ash Urns

These stand alone ash urns can be utilized in multiple environments and complete the CityView collection. These flair top urns include a stainless steel ash pan for cigarette collection and keep trash containers ash free. This product will surface mount to any concrete pad and has a removable ash tray for easy cleaning.

### Materials

1/4" straps for maximum durability  
 Removable stainless steel 8" o.d. ash pan for ash collection

### Sustainability and LEED

CityView Ash Urns have a recycled material content of 99% of which 87% is post consumer content. This content may vary based on the product design, product material type, and interchangeable piece parts. All styles are 100% recyclable. For more information about SiteScapes sustainable products and policies, please refer to our Environmental Statement.

Pictured this page  
 left: CityView ash urn CV3-1000 (Onyx). right: CityView ash urn CV3-1000 (Onyx).

### Finishes

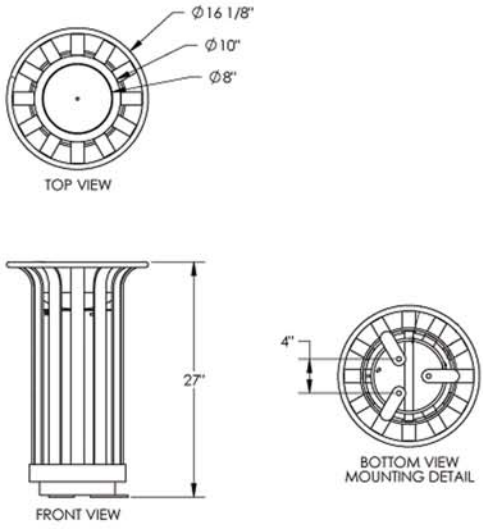
SiteScapes offers product in both a standard powdercoat and its own proprietary Duarcoat finish. Both finishes are designed to weather the elements and are guaranteed not to rust, chip, peel, or fade. Call for a standard color chart.

### [www.sitescapesonline.com](http://www.sitescapesonline.com)

For more information visit our website where you can download product drawings, photos, product brochures, CSI specs, and other technical data.

CityView Ash Urns are currently offered in only one style. CV3-1000 to specify.

### CityView ash urn dimensions



30% POST CONSUMER CONTENT