



Apex Bike Parking





888.331.9464 402.421.9479 fax
 P.O. Box 22326 Lincoln, NE 68542
www.sitescapesonline.com
info@sitescapesonline.com

Apex Inverted U Bike Parking

Apex Bike Racks

This "inverted U" style rack can be installed to form any configuration you desire. These racks are a durable, space saving solution for all of your bike security needs.

Materials

Tubing - 2 3/8" dia. schedule 40 steel tubing
 Foot Plates - 7 1/2" dia. x 1/4" stainless steel

Sustainability and LEED

Apex bike parking has a minimum recycled material content of 93% of which 57% is post consumer content. This content may vary based on the product design, product material type, and interchangeable piece parts. All styles are 100% recyclable. For more information about SiteScapes sustainable products and policies, please refer to our environmental statement.

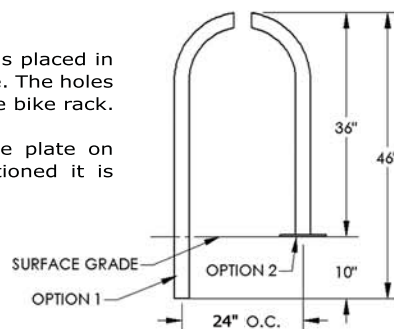
Choices

Choose two, six or ten capacity; embedded or surface mount; powdercoat, Duracoat, galvanized.

Apex bike parking options

Embedded Mount (Option 1) has both legs placed in core drilled holes 10" below surface grade. The holes are then filled with concrete to secure the bike rack.

Surface Mount (Option 2) has a surface plate on both legs. When the bike rack is positioned it is secured with stainless steel anchor bolts.

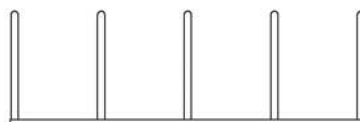


The **6 space** Apex rack consists of 3 inverted-U style racks mounted on steel rails. The rails are then secured to the ground with anchor bolts.



6 Space Rack

The **10 space** Apex rack consists of 5 inverted-U style racks mounted on steel rails. The rails are then secured to the ground with anchor bolts.



10 Space Rack

Pictured this page

left: Apex two-space, embedded mount rack AP2-02-EM (Forest). right: Apex two-space, surface mount rack AP2-02-SM (Onyx).

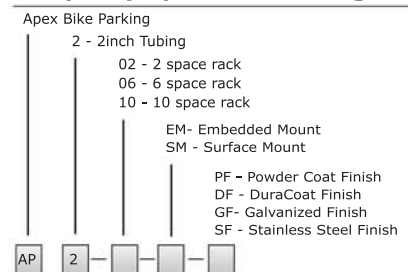
Finishes

SiteScapes offers product in both a standard powdercoat and its own proprietary Duracoat finish. Both finishes are designed to weather the elements and are guaranteed not to rust, chip, peel, or fade. Call for a standard color chart.

www.sitescapesonline.com

For more information visit our website where you can download product drawings, photos, product brochures, CSI specs, and other technical data.

To Specify Apex Bike Parking



* Six and ten capacity offered in surface mount only



30% POST CONSUMER CONTENT