



888.331.9464 402.421.9479 fax
 P.O. Box 22326 Lincoln, NE 68542
www.sitescapesonline.com
info@sitescapesonline.com

SiteScapes & ADA Outdoor Bench Compliance

SiteScapes has confirmed, with the US Access Board, that **there is currently NO ADA requirements as specified for outdoor benches.**

ADA requirements were developed to enable people in wheelchairs to transfer to benches in situation-specific functions. People in wheelchairs typically do not transfer to benches outdoors. Instead, they will pull up next to or across from people sitting on benches or at picnic tables. Unless the bench is intended for a sauna, steam room, dressing room, locker room, holding cell or courtroom, it does not need to comply with section 903.

The only ADA guideline relating to OUTDOOR BENCHES can be found in "The Revised Draft Guidelines for Accessible Public Rights-of-Way" (<http://www.access-board.gov/prowac/draft.htm>) under the section "Text of the Draft Guidelines," Chapter R3: Technical Provisions,R307.6.3.2:

"Where benches without tables are provided at a single location, at least 50 percent, but no fewer than one, shall have a seat height at the front edge of 43 cm (17in) minimum and 49cm (19in) maximum above the ground or floor space." (<http://www.access-board.gov/prowac/draft.htm#307>)

Benches meeting these simple height guidelines are readily available from SiteScapes.

New requirements have been proposed and SiteScapes recommends the following as a smart practice.

- Benches should have a seat height of 17" to 19" above ground or floor space.
- Clear "firm and stable" ground space adjacent to benches should be included and should be a minimum of 30" x 48".
- Seat backs should be provided that extend the full length of the seat.
- Benches should include armrests. For multiple benches, 1 of every 5 or no less than 2 should include armrests.

For further clarification, please contact US Access Board
 Marsha Mazz 202-272-0020 | mazz@access-board.gov
 Bill Botten 202-272-0014 | botten@access-board.gov

<http://www.access-board.gov/>

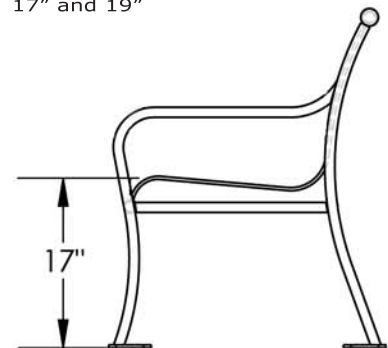
Pictured this page
 left: Stadium Collection Chairs,
 dining height, surface mount, with
 laser cut Logo and custom decals,
 ST5-2000-SM-PF (Slate).

www.sitescapesonline.com

For more information visit our website where you can download product drawings, photos, product brochures, CSI spes, and other technical data.

SiteScapes seating height

Currently the only ADA guideline regarding outdoor benches requires a seat height front edge of between 17" and 19"



30% POST CONSUMER CONTENT