



P.O. Box 22326
Lincoln, NE 68542

PF: 402/421-9464 | WEBSITE: www.sitescapesonline.com
FX: 402/421-9479 | E-MAIL: info@sitescapesonline.com

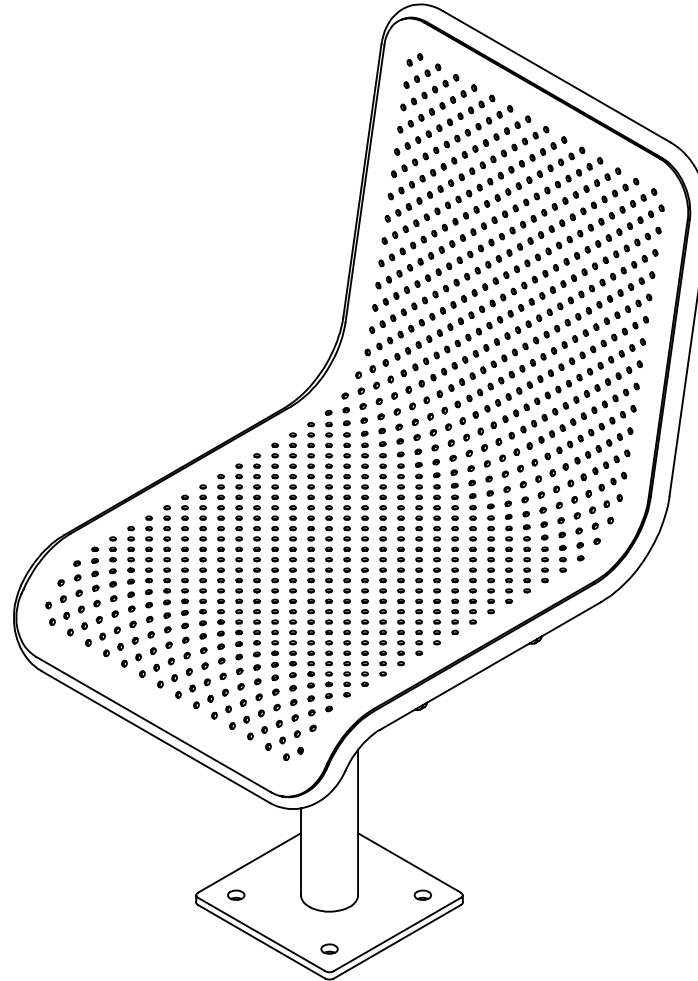
TITLE *PUNCHED METAL
BACKED CHAIR*

PRODUCT NO.
PM5-1111

INCH TOLERANCES U.O.S.
FRACTION-- $\pm 1/16"$
ANG----- $\pm 1^\circ$

THE INFORMATION CONTAINED IN THIS DRAWING IS THE SOLE PROPERTY OF SITESCAPES, INC. ANY REPRODUCTION IN PART OR AS A WHOLE WITHOUT THE WRITTEN PERMISSION OF SITESCAPES, INC. IS PROHIBITED.

*Available in powder coat and DuraCoat finishes





P.O. Box 22326
Lincoln, NE 68542

PF: 402/421-9464
FX: 402/421-9479

WEBSITE: www.sitescapesonline.com
E-MAIL: info@sitescapesonline.com

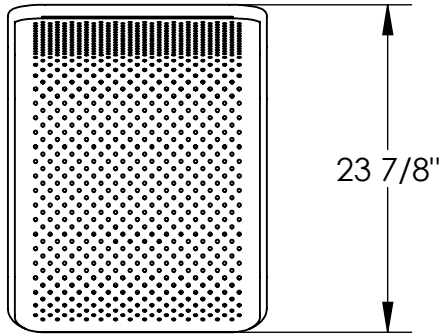
TITLE *PUNCHED METAL
BACKED CHAIR*

PRODUCT NO.
PM5-1111

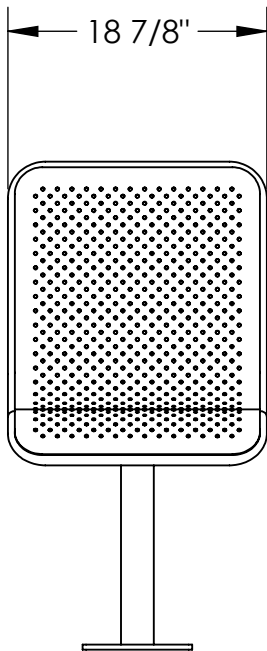
INCH TOLERANCES U.O.S.
FRACTION-- $\pm 1/16$ "
ANG----- $\pm 1^\circ$

THE INFORMATION CONTAINED IN THIS DRAWING IS THE SOLE PROPERTY OF SITESCAPES, INC. ANY REPRODUCTION IN PART OR AS A WHOLE WITHOUT THE WRITTEN PERMISSION OF SITESCAPES, INC. IS PROHIBITED.

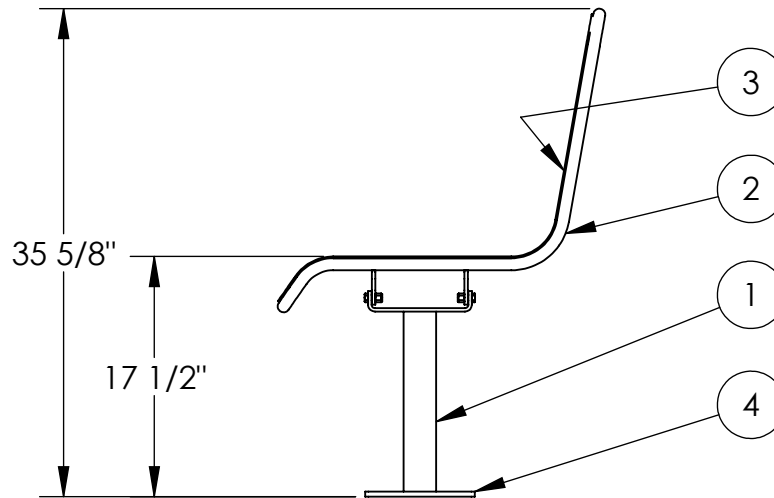
*Available in powder coat and DuraCoat finishes



TOP VIEW



FRONT VIEW



RIGHT SIDE VIEW

MATERIALS LIST:

- (1) Upright Pipe - $\phi 2\ 3/8$ " x .154" Wall Steel Tubing
- (2) Chair Tube - $\phi 7/8$ " Aluminum Tubing
- (3) Seat Panel - 1/8" Punched Aluminum
- (4) Surface Plate - 8" Sq. x 3/8" Stainless Steel Plate with $\phi 9/16$ " Mounting Holes
- (5) Mounted with Four $\phi 1/2$ " x 4-5" Stainless Steel Anchor Bolts (Customer Supplied)

