



SITESCAPES

P.O. Box 22326
Lincoln, NE 68542

PF: 402/421-9464

FX: 402/421-9479

WEBSITE: www.sitescapesonline.com

E-MAIL: info@sitescapesonline.com

TITLE

*CUSTOM
PICNIC TABLE*

PRODUCT NO.

NY6-2500

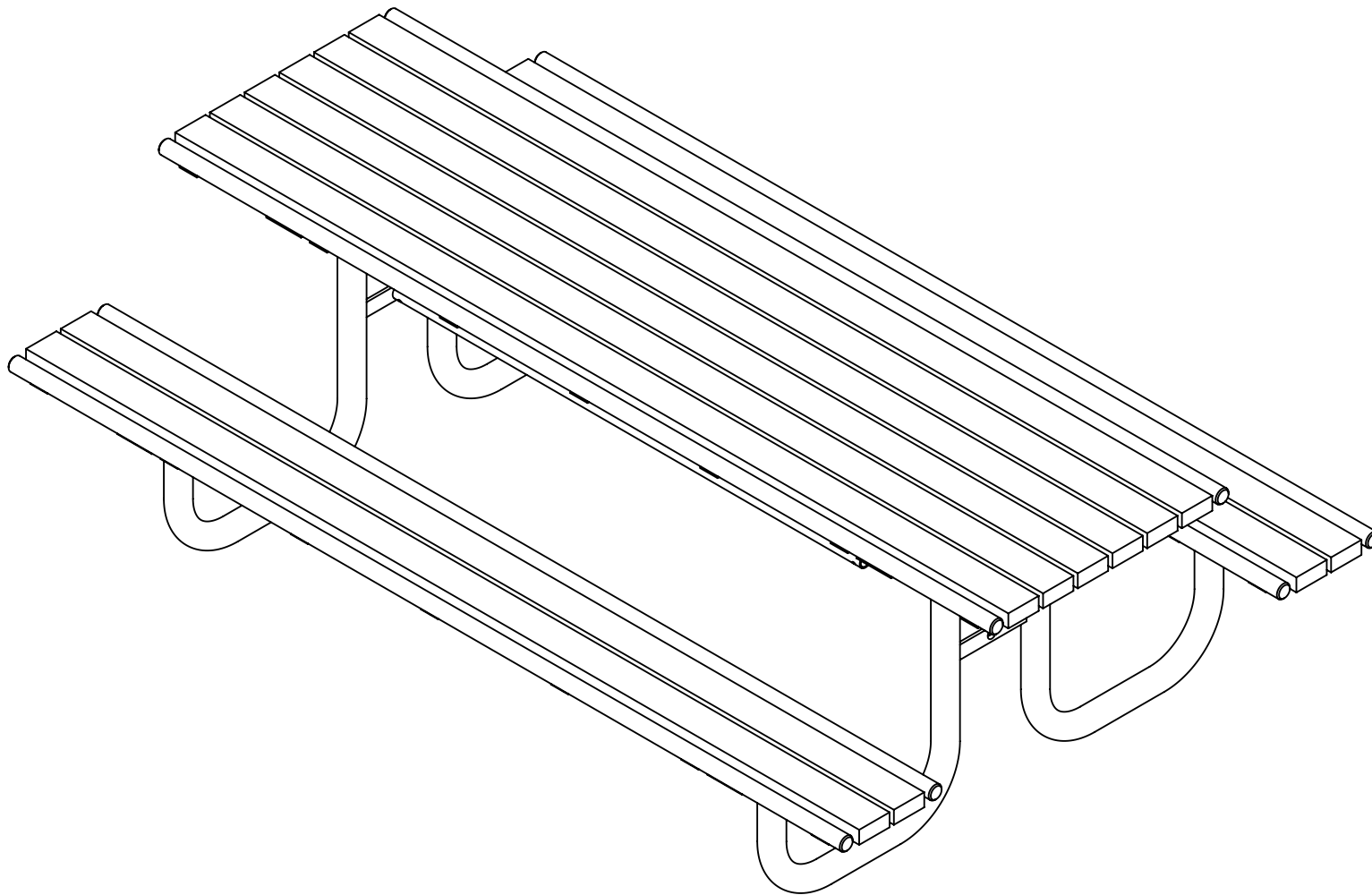
INCH TOLERANCES U.O.S.

FRACTION-- $\pm 1/16"$

ANG----- $\pm 1^\circ$

THE INFORMATION CONTAINED IN THIS DRAWING IS THE SOLE PROPERTY OF SITESCAPES, INC. ANY REPRODUCTION IN PART OR AS A WHOLE WITHOUT THE WRITTEN PERMISSION OF SITESCAPES, INC. IS PROHIBITED.

*Available in powder coat and DuraCoat finishes





SITESCAPES

P.O. Box 22326
Lincoln, NE 68542

PF: 402/421-9464
FX: 402/421-9479

WEBSITE: www.sitescapesonline.com
E-MAIL: info@sitescapesonline.com

TITLE *CUSTOM
PICNIC TABLE*

PRODUCT NO.
NY6-2500

FRACTION-- $\pm 1/16"$
ANG----- $\pm 1^\circ$

THE INFORMATION CONTAINED IN THIS DRAWING IS THE SOLE PROPERTY OF SITESCAPES, INC. ANY REPRODUCTION IN PART OR AS A WHOLE WITHOUT THE WRITTEN PERMISSION OF SITESCAPES, INC. IS PROHIBITED.

*Available in powder coat and DuraCoat finishes

MATERIALS LIST:

- (1) Table/Seat Slats - 2" x 4" Nominal Ipe Wood
- (2) End Unit Tubing - $\phi 2 \frac{3}{8}$ " Schedule 40 Steel Pipe
- (3) Support Angles - 2" x 3" x $\frac{1}{4}$ " Steel Angle
- (4) Support Tube - $\phi 1 \frac{5}{16}$ " Steel Tube
- (5) Table/Seat Frame - $\phi 1 \frac{1}{2}$ " Steel Tube

