



SITESCAPES

P.O. Box 22326  
Lincoln, NE 68542

PF: 402/421-9464

FX: 402/421-9479

WEBSITE: [www.sitescapesonline.com](http://www.sitescapesonline.com)

E-MAIL: [info@sitescapesonline.com](mailto:info@sitescapesonline.com)

TITLE

*CUSTOM  
PICNIC TABLE*

PRODUCT NO.

*NY6-2000-RP*

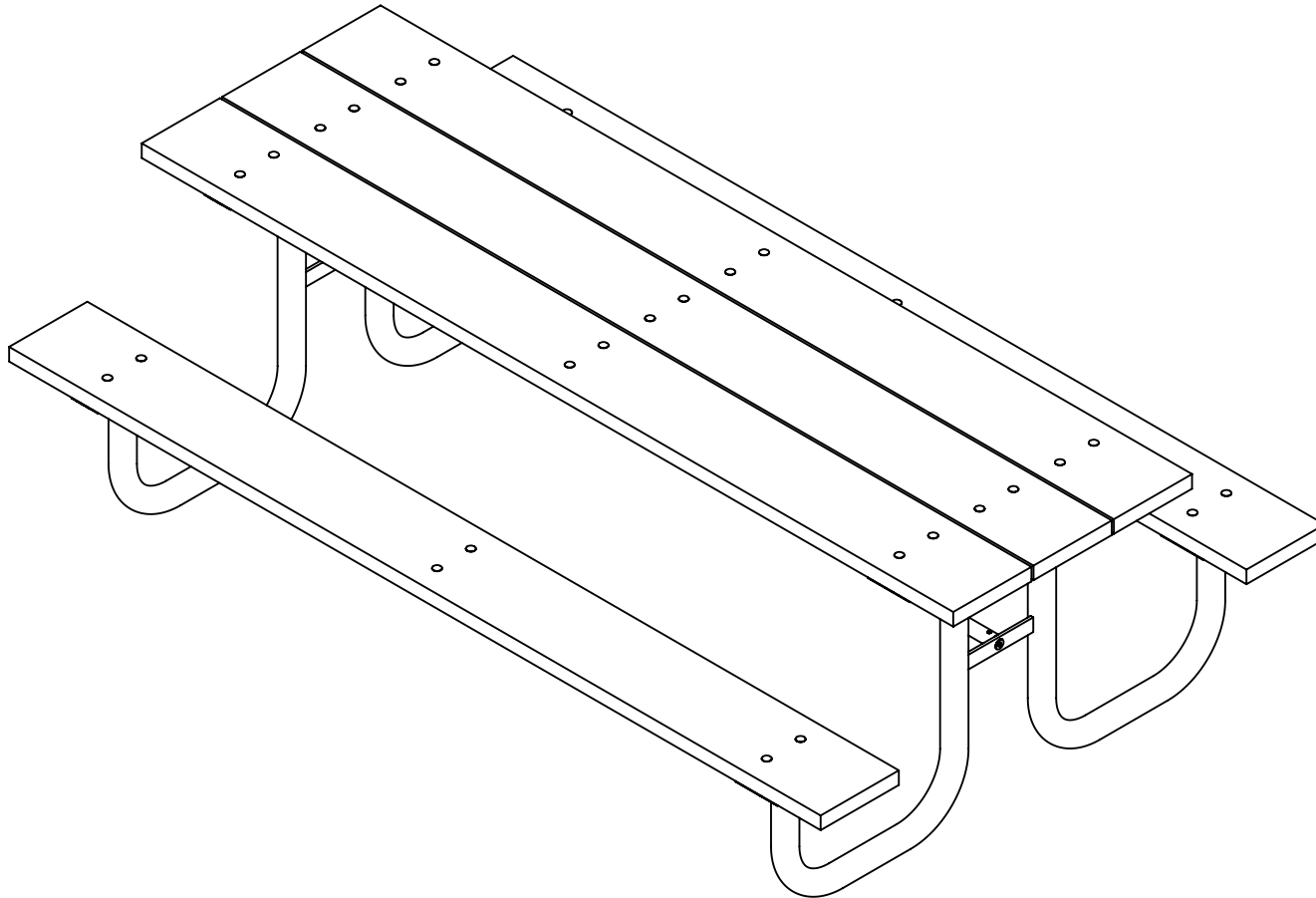
INCH TOLERANCES U.O.S.

FRACTION--  $\pm 1/16"$

ANG-----  $\pm 1^\circ$

THE INFORMATION CONTAINED IN THIS DRAWING IS THE SOLE PROPERTY OF SITESCAPES, INC. ANY REPRODUCTION IN PART OR AS A WHOLE WITHOUT THE WRITTEN PERMISSION OF SITESCAPES, INC. IS PROHIBITED.

\*Available in powder coat and DuraCoat finishes





# SITESCAPES

P.O. Box 22326  
Lincoln, NE 68542

PF: 402/421-9464  
FX: 402/421-9479

WEBSITE: [www.sitescapesonline.com](http://www.sitescapesonline.com)  
E-MAIL: [info@sitescapesonline.com](mailto:info@sitescapesonline.com)

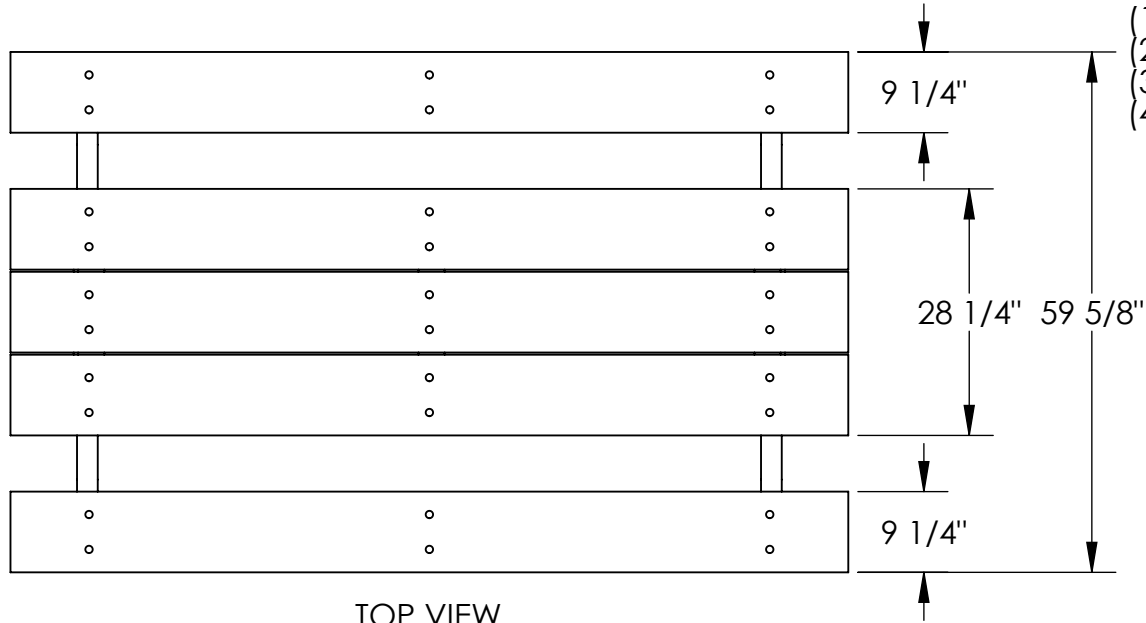
TITLE *CUSTOM  
PICNIC TABLE*

PRODUCT NO.  
*NY6-2000-RP*

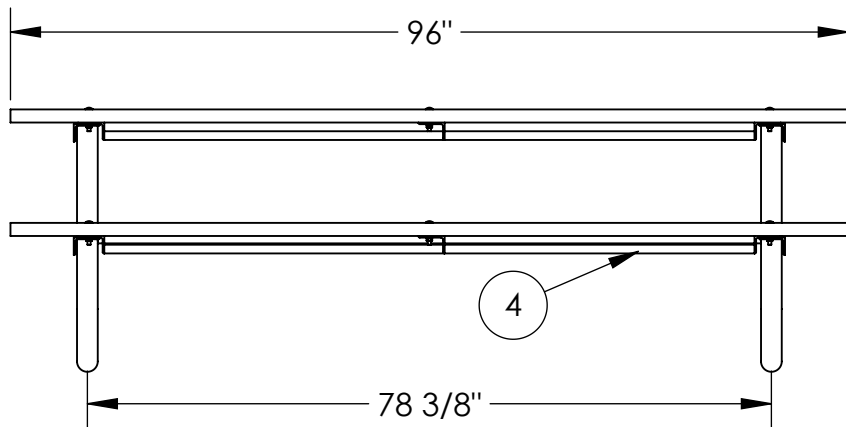
FRACTION--  $\pm 1/16"$   
ANG-----  $\pm 1^\circ$

THE INFORMATION CONTAINED IN THIS DRAWING IS THE SOLE PROPERTY OF SITESCAPES, INC. ANY REPRODUCTION IN PART OR AS A WHOLE WITHOUT THE WRITTEN PERMISSION OF SITESCAPES, INC. IS PROHIBITED.

\*Available in powder coat and DuraCoat finishes



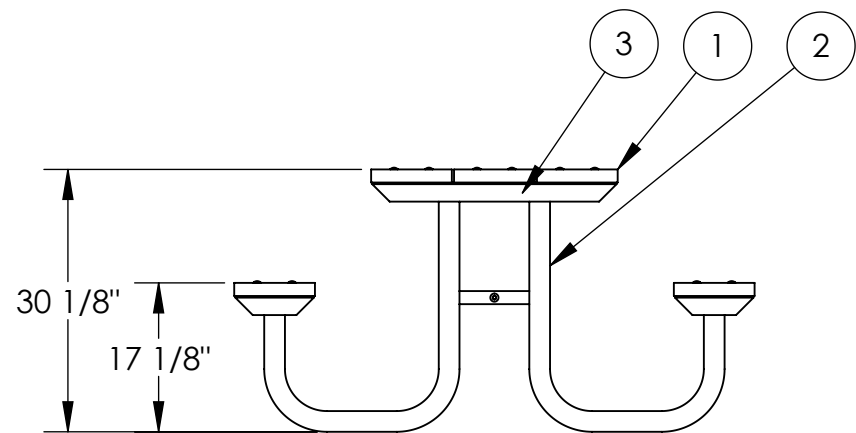
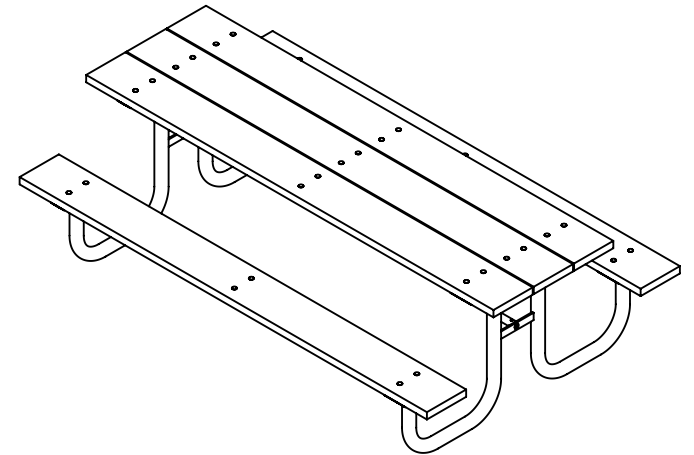
TOP VIEW



FRONT VIEW

### MATERIALS LIST:

- (1) Table/Seat Slats - 2" x 10" Nominal Recycled Plastic
- (2) End Unit Tubing -  $\varnothing$  2 3/8" Schedule 40 Steel Pipe
- (3) Support Angles - 2" x 3" x 1/4" Steel Angle
- (4) Support Pipe -  $\varnothing$  1.315" x .133" Steel Pipe



RIGHT SIDE VIEW