



SITESCAPES

P.O. Box 22326
Lincoln, NE 68542

PF: 402/421-9464
FX: 402/421-9479

WEBSITE: www.sitescapesonline.com
E-MAIL: info@sitescapesonline.com

TITLE

*CUSTOM
PICNIC TABLE*

PRODUCT NO.

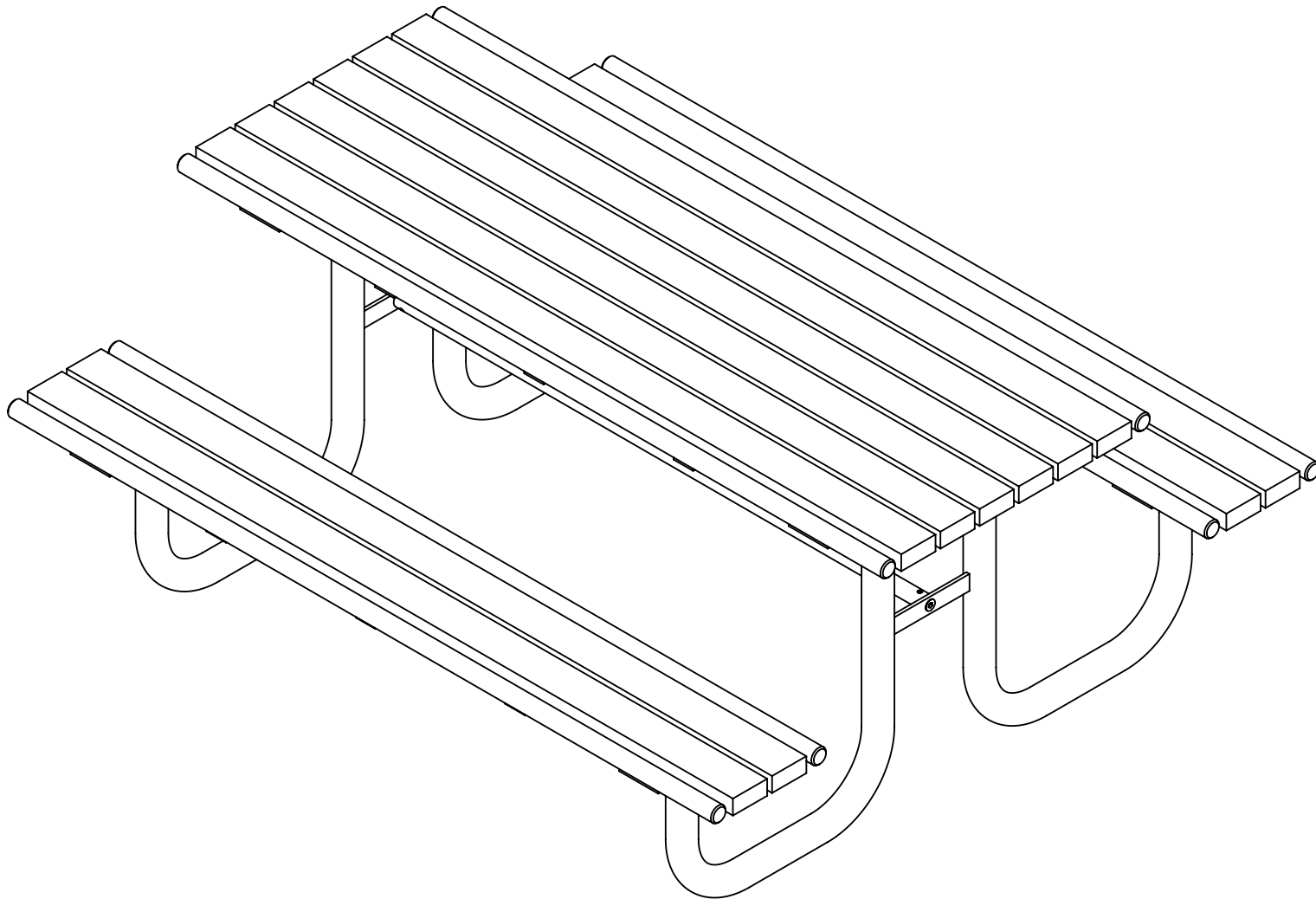
NY6-1500-RP

INCH TOLERANCES U.O.S.

FRACTION-- $\pm 1/16"$
ANG----- $\pm 1^\circ$

THE INFORMATION CONTAINED IN THIS DRAWING IS THE SOLE PROPERTY OF SITESCAPES, INC. ANY REPRODUCTION IN PART OR AS A WHOLE WITHOUT THE WRITTEN PERMISSION OF SITESCAPES, INC. IS PROHIBITED.

*Available in powder coat and DuraCoat finishes





SITESCAPES

P.O. Box 22326
Lincoln, NE 68542

PF: 402/421-9464

FX: 402/421-9479

WEBSITE: www.sitescapesonline.com

E-MAIL: info@sitescapesonline.com

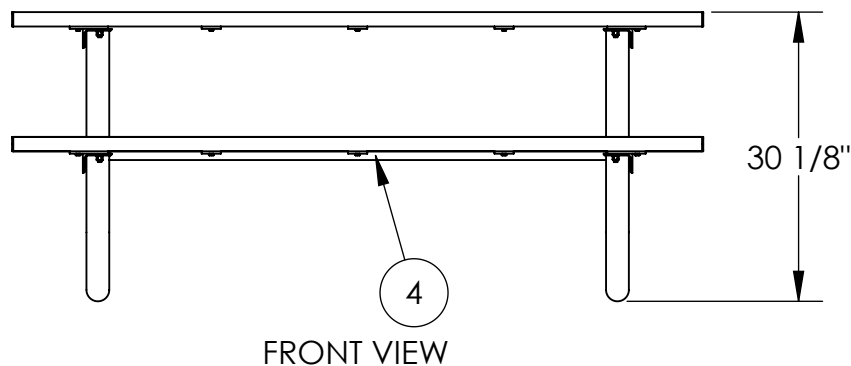
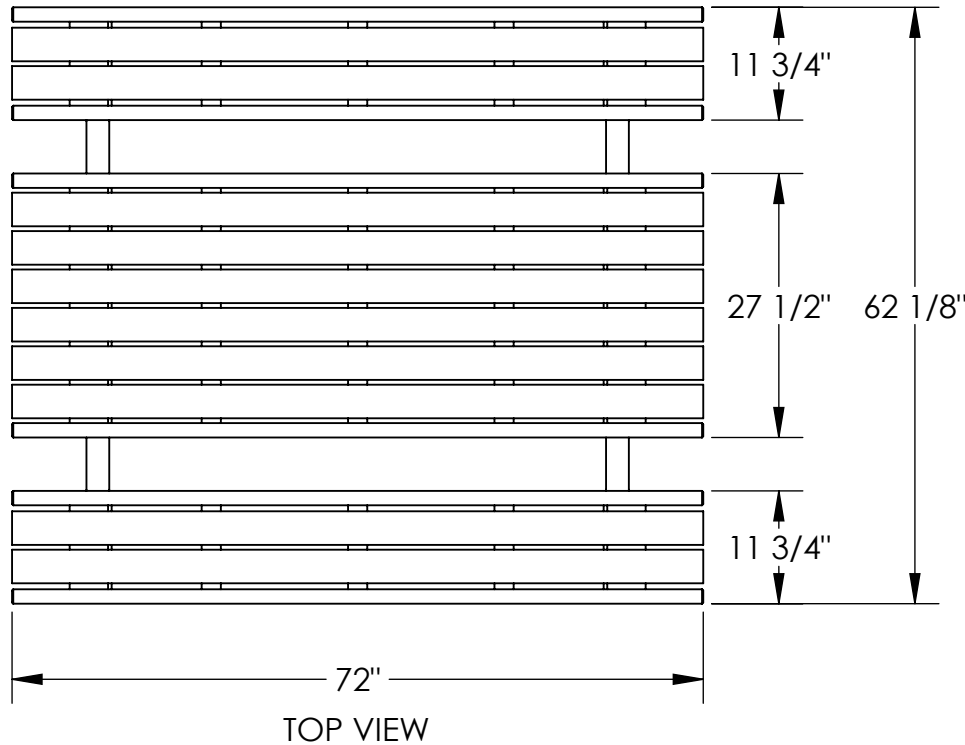
TITLE
**CUSTOM
PICNIC TABLE**

PRODUCT NO.
NY6-1500-RP

FRACTION-- $\pm 1/16"$
ANG----- $\pm 1^\circ$

THE INFORMATION CONTAINED IN THIS DRAWING IS THE SOLE PROPERTY OF SITESCAPES, INC. ANY REPRODUCTION IN PART OR AS A WHOLE WITHOUT THE WRITTEN PERMISSION OF SITESCAPES, INC. IS PROHIBITED.

*Available in powder coat and DuraCoat finishes



MATERIALS LIST:

- (1) Table/Seat Slats - 2" x 4" Nominal Recycled Plastic
- (2) End Unit Tubing - $\phi 2 3/8"$ Schedule 40 Steel Pipe
- (3) Support Angles - 2" x 3" x 1/4" Steel Angle
- (4) Support Pipe - $\phi 1.315"$ x .133" Steel Pipe
- (5) Table/Seat Frame - $\phi 1 1/2"$ Steel Tube

