



SITESCAPES

P.O. Box 22326
Lincoln, NE 68542

PF: 402/421-9464
FX: 402/421-9479

WEBSITE: www.sitescapesonline.com
E-MAIL: info@sitescapesonline.com

TITLE

*CUSTOM
RECEPTACLE*

PRODUCT NO.

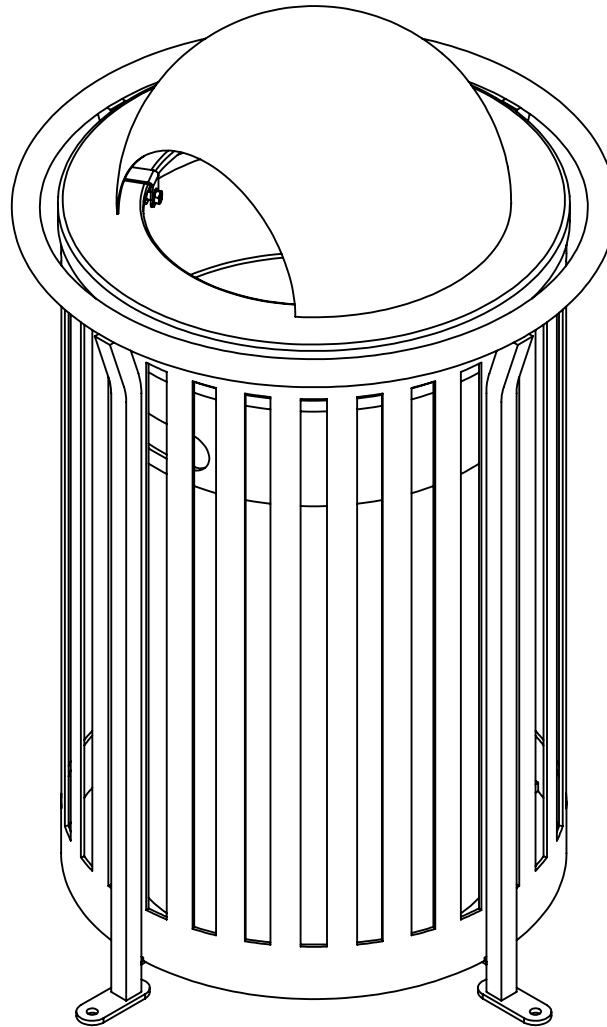
NP2-1003N

INCH TOLERANCES U.O.S.

FRACTION-- $\pm 1/16"$
ANG----- $\pm 1^\circ$

THE INFORMATION CONTAINED IN THIS DRAWING IS THE SOLE PROPERTY OF SITESCAPES, INC. ANY REPRODUCTION IN PART OR AS A WHOLE WITHOUT THE WRITTEN PERMISSION OF SITESCAPES, INC. IS PROHIBITED.

*Available in powder coat and DuraCoat finishes





SITESCAPES

P.O. Box 22326
Lincoln, NE 68542

PF: 402/421-9464
FX: 402/421-9479

WEBSITE: www.sitescapesonline.com
E-MAIL: info@sitescapesonline.com

TITLE
**CUSTOM
RECEPTACLE**

PRODUCT NO.
NP2-1003N

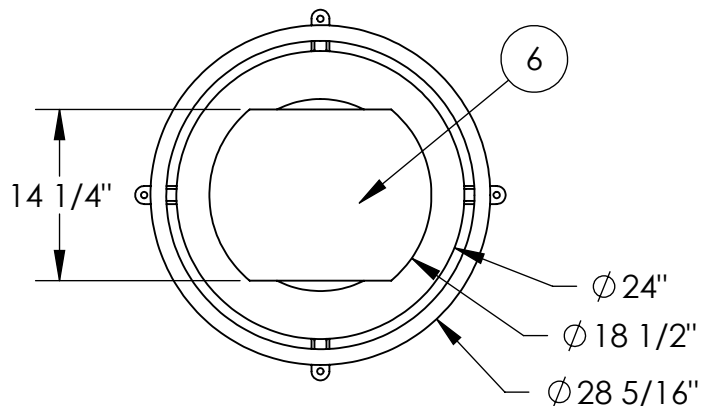
FRACTION-- $\pm 1/16"$
ANG----- $\pm 1^\circ$

THE INFORMATION CONTAINED IN THIS DRAWING IS THE SOLE PROPERTY OF SITESCAPES, INC. ANY REPRODUCTION IN PART OR AS A WHOLE WITHOUT THE WRITTEN PERMISSION OF SITESCAPES, INC. IS PROHIBITED.

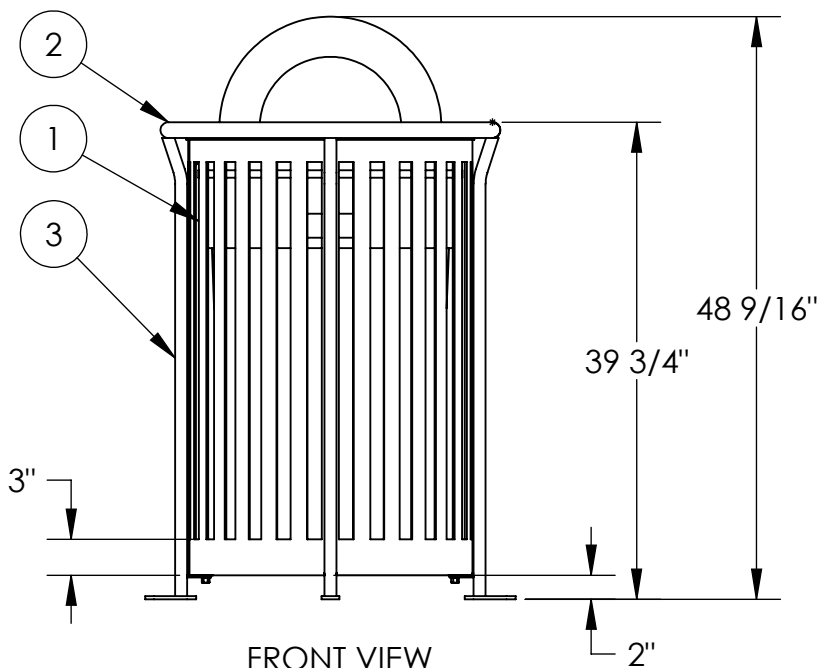
*Available in powder coat and DuraCoat finishes

Materials List

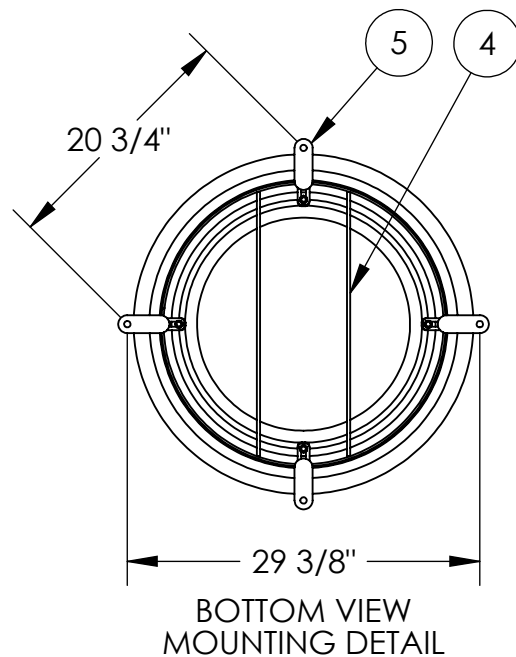
- (1) Receptacle Body - 7 Gauge Steel Plate
- (2) Top Ring - $\phi 1\ 1/2"$ Tubing
- (3) Support Bars - 1" Square Steel Bar
- (4) Liner Support Bars - $3/8" \times 3/4"$ Steel Bar
- (5) Surface Mount Plates - $1/4" \times 1\ 1/2"$ Stainless Steel Plate with $9/16"$ Mounting Hole
- (6) Lid - $\phi 24"$ x $.075"$ Wall Steel Lid w/ Dome Attached to Basket with Stainless Steel Airline Cable
- (7) Mounted with Three $\phi 1/2" \times 4-5"$ Stainless Steel Anchor Bolts (Customer Supplied)
- (8) 40 Gallon Rigid Plastic Liner with Handles Included



TOP VIEW



FRONT VIEW



BOTTOM VIEW
MOUNTING DETAIL

