



SITESCAPES

P.O. Box 22326  
Lincoln, NE 68542

PF: 402/421-9464

FX: 402/421-9479

WEBSITE: [www.sitescapesonline.com](http://www.sitescapesonline.com)

E-MAIL: [info@sitescapesonline.com](mailto:info@sitescapesonline.com)

TITLE *NEWCASTLE  
TRASH RECEPTACLE*

PRODUCT NO.  
*NC2-2207R*

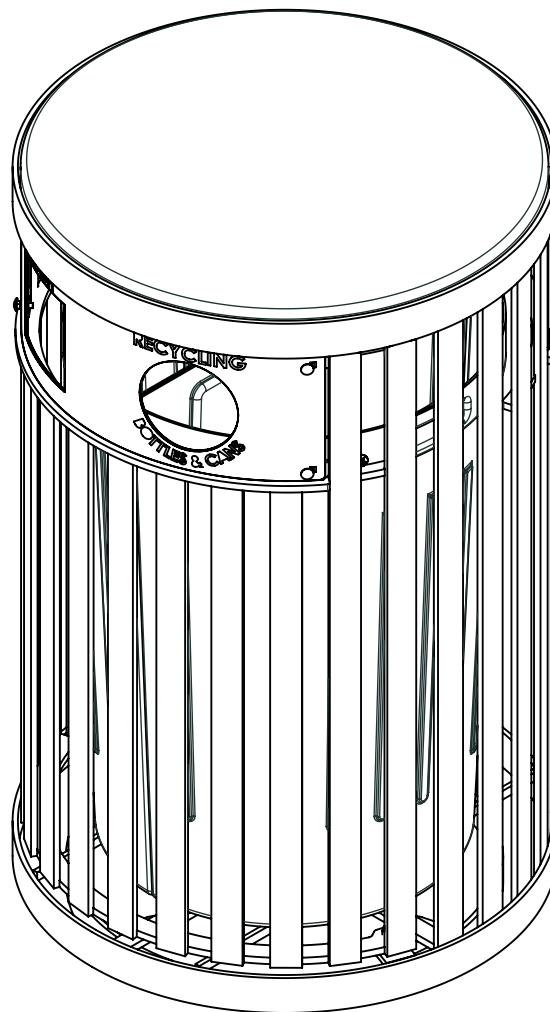
INCH TOLERANCES U.O.S.

FRACTION--  $\pm 1/16"$

ANG-----  $\pm 1^\circ$

THE INFORMATION CONTAINED IN THIS DRAWING IS THE SOLE PROPERTY OF SITESCAPES, INC. ANY REPRODUCTION IN PART OR AS A WHOLE WITHOUT THE WRITTEN PERMISSION OF SITESCAPES, INC. IS PROHIBITED.

\*Available in powder coat and DuraCoat finishes





# SITESCAPES

P.O. Box 22326  
Lincoln, NE 68542

PF: 402/421-9464  
FX: 402/421-9479

WEBSITE: [www.sitescapesonline.com](http://www.sitescapesonline.com)  
E-MAIL: [info@sitescapesonline.com](mailto:info@sitescapesonline.com)

TITLE *NEWCASTLE  
TRASH RECEPTACLE*

PRODUCT NO.  
*NC2-2207R*

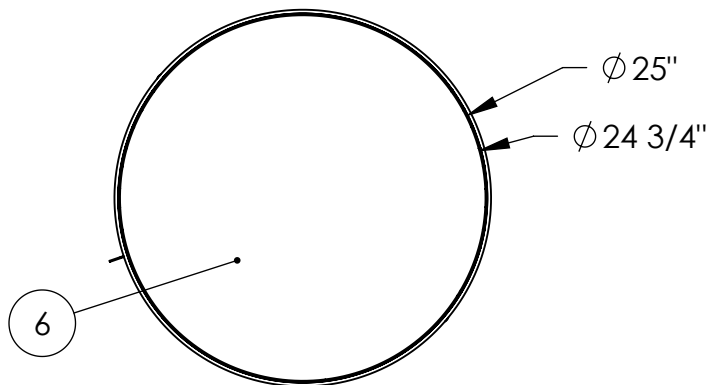
FRACTION--  $\pm 1/16"$   
ANG-----  $\pm 1^\circ$

THE INFORMATION CONTAINED IN THIS DRAWING IS THE SOLE PROPERTY OF SITESCAPES, INC. ANY REPRODUCTION IN PART OR AS A WHOLE WITHOUT THE WRITTEN PERMISSION OF SITESCAPES, INC. IS PROHIBITED.

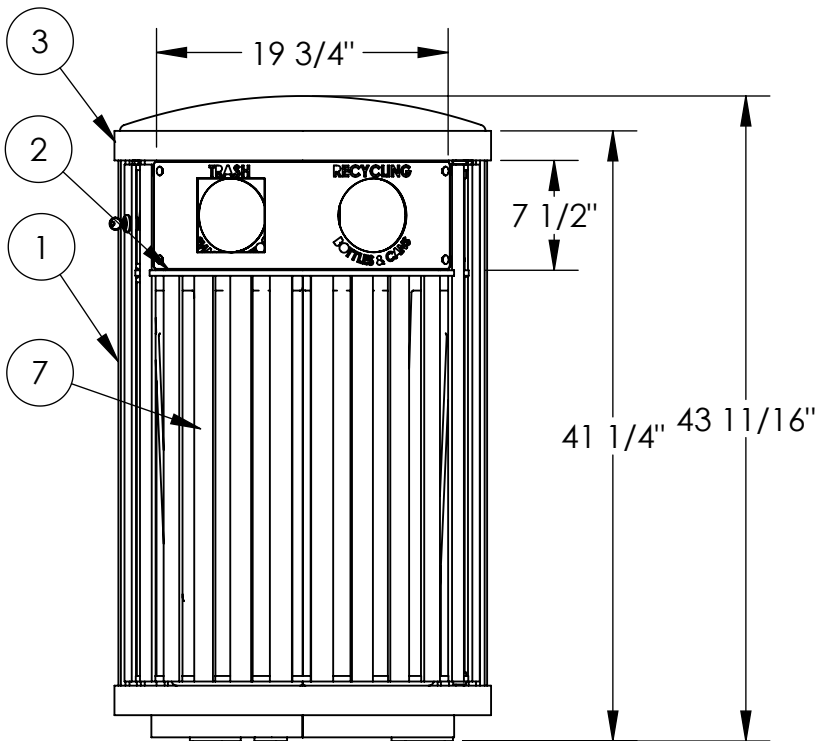
\*Available in powder coat and DuraCoat finishes

### Materials List

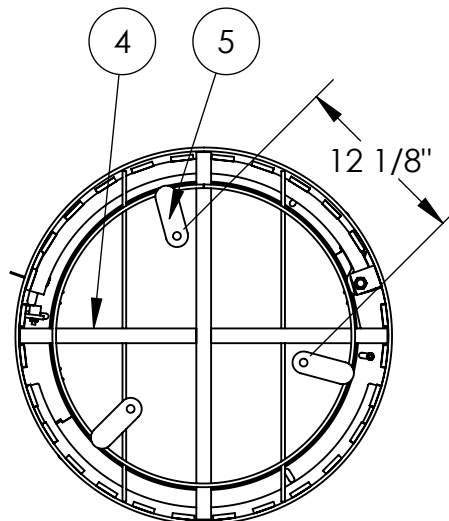
- (1) Vertical Straps - 5/16" x 1 1/2" Steel Flat Bar
- (2) Opening Support Bars - 3/8" x 7/8" Steel Flat Bar
- (3) Support Rings - 1/4" x 2" Steel Flat Bar
- (4) Support Bars - 1/2" x 1" Steel Flat Bar
- (5) Surface Mount Plates - 1/4" x 1 1/2" Stainless Steel Plate with 9/16" Mounting Hole
- (6) Lid -  $\phi 24"$  x 12 Gauge Wall Steel Spun Lid
- (7) Hinged Door With Keyed Lock
- (8) Mounted with Three  $\phi 1/2"$  x 4-5" Stainless Steel Anchor Bolts (Customer Supplied)
- (9) 36 Gallon Rigid Plastic Liner with Handles Included



TOP VIEW



FRONT VIEW



BOTTOM VIEW

