



SITESCAPES

P.O. Box 22326
Lincoln, NE 68542

PF: 402/421-9464
FX: 402/421-9479

WEBSITE: www.sitescapesonline.com
E-MAIL: info@sitescapesonline.com

TITLE *NEWCASTLE
TRASH RECEPTACLE*

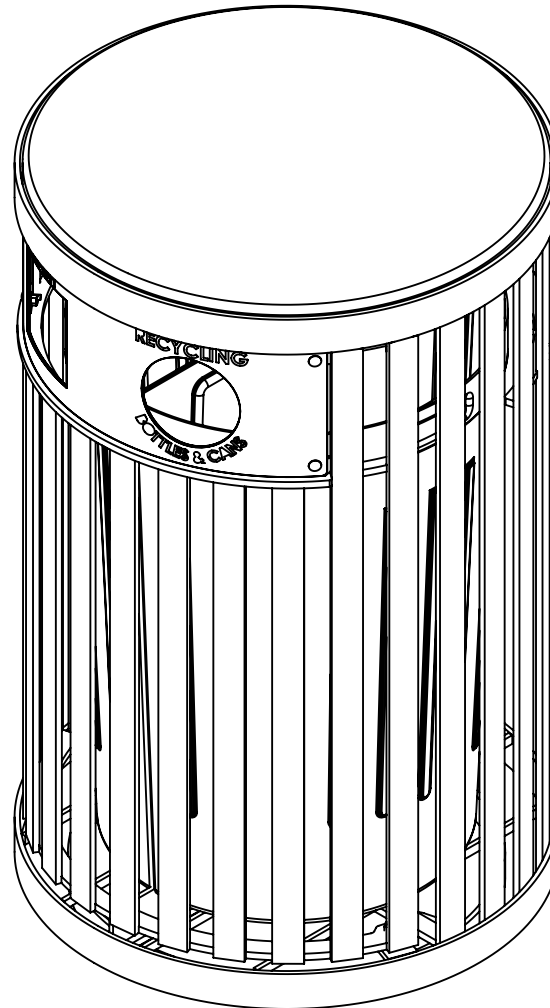
PRODUCT NO.
NC2-2107R

INCH TOLERANCES U.O.S.

FRACTION-- $\pm 1/16"$
ANG----- $\pm 1^\circ$

THE INFORMATION CONTAINED IN THIS DRAWING IS THE SOLE PROPERTY OF SITESCAPES, INC. ANY REPRODUCTION IN PART OR AS A WHOLE WITHOUT THE WRITTEN PERMISSION OF SITESCAPES, INC. IS PROHIBITED.

*Available in powder coat and DuraCoat finishes





SITESCAPES

P.O. Box 22326
Lincoln, NE 68542

PF: 402/421-9464
FX: 402/421-9479

WEBSITE: www.sitescapesonline.com
E-MAIL: info@sitescapesonline.com

TITLE *NEWCASTLE
TRASH RECEPTACLE*

PRODUCT NO.
NC2-2107R

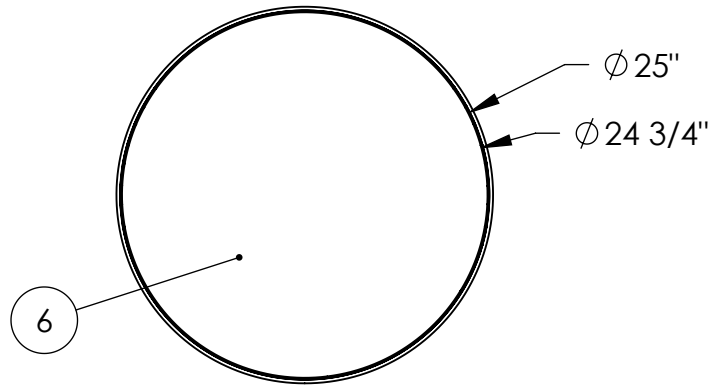
FRACTION-- $\pm 1/16"$
ANG----- $\pm 1^\circ$

THE INFORMATION CONTAINED IN THIS DRAWING IS THE SOLE PROPERTY OF SITESCAPES, INC. ANY REPRODUCTION IN PART OR AS A WHOLE WITHOUT THE WRITTEN PERMISSION OF SITESCAPES, INC. IS PROHIBITED.

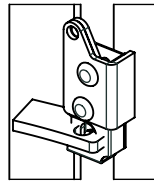
*Available in powder coat and DuraCoat finishes

Materials List

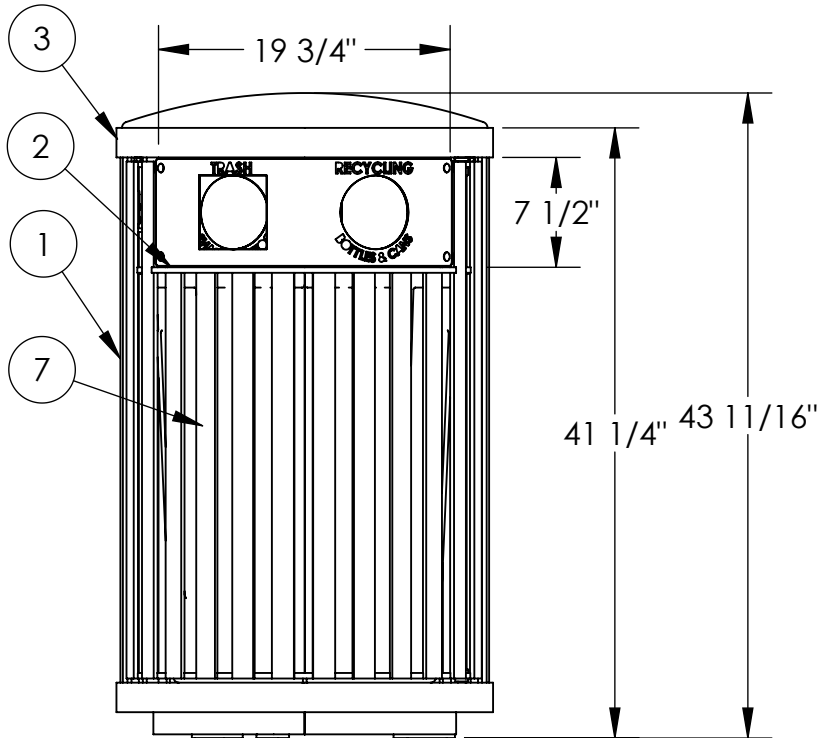
- (1) Vertical Straps - 5/16" x 1 1/2" Steel Flat Bar
- (2) Opening Support Bars - 3/8" x 7/8" Steel Flat Bar
- (3) Support Rings - 1/4" x 2" Steel Flat Bar
- (4) Support Bars - 1/2" x 1" Steel Flat Bar
- (5) Surface Mount Plates - 1/4" x 1 1/2" Stainless Steel Plate with 9/16" Mounting Hole
- (6) Lid - $\phi 24"$ x 12 Gauge Wall Steel Spun Lid
- (7) Hinged Door With Stainless Steel Latch and Hinges
- (8) Mounted with Three $\phi 1/2"$ x 4-5" Stainless Steel Anchor Bolts (Customer Supplied)
- (9) 36 Gallon Rigid Plastic Liner with Handles Included



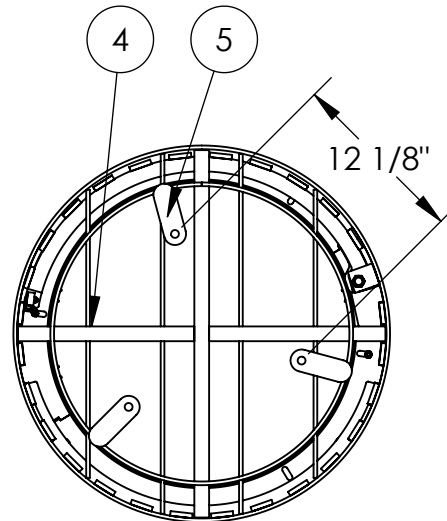
TOP VIEW



INSIDE LATCH
DETAIL



FRONT VIEW



BOTTOM VIEW

