



SITESCAPES

P.O. Box 22326
Lincoln, NE 68542

PF: 402/421-9464
FX: 402/421-9479

WEBSITE: www.sitescapesonline.com
E-MAIL: info@sitescapesonline.com

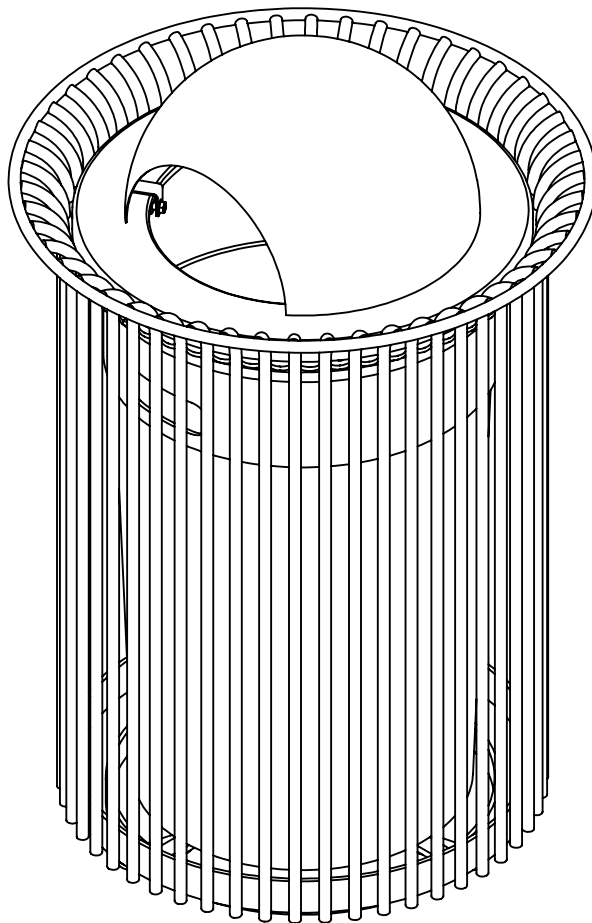
TITLE *MERIDIAN
TRASH RECEPTACLE*

PRODUCT NO.
MR2-1003N

INCH TOLERANCES U.O.S.
FRACTION-- $\pm 1/16"$
ANG----- $\pm 1^\circ$

THE INFORMATION CONTAINED IN THIS DRAWING IS THE SOLE PROPERTY OF SITESCAPES, INC. ANY REPRODUCTION IN PART OR AS A WHOLE WITHOUT THE WRITTEN PERMISSION OF SITESCAPES, INC. IS PROHIBITED.

*Available in powder coat and DuraCoat finishes





SITESCAPES

P.O. Box 22326
Lincoln, NE 68542

PF: 402/421-9464
FX: 402/421-9479

WEBSITE: www.sitescapesonline.com
E-MAIL: info@sitescapesonline.com

TITLE *MERIDIAN
TRASH RECEPTACLE*

PRODUCT NO.
MR2-1003N

FRACTION-- $\pm 1/16"$
ANG----- $\pm 1^\circ$

THE INFORMATION CONTAINED IN THIS DRAWING IS THE SOLE PROPERTY OF SITESCAPES, INC. ANY REPRODUCTION IN PART OR AS A WHOLE WITHOUT THE WRITTEN PERMISSION OF SITESCAPES, INC. IS PROHIBITED.

*Available in powder coat and DuraCoat finishes

Materials List

- (1) Vertical Rods - $\phi 5/8"$ Steel Round Bar
- (2) Top Ring - $\phi 3/4"$ Steel Round Bar
- (3) Support Ring - $1/4"$ Laser Cut Steel Plate
- (4) Support Bars - $1/2" \times 1"$ Steel Flat Bar
- (5) Surface Mount Plates - $1/4" \times 1 1/2"$ Stainless Steel Plate with $9/16"$ Mounting Hole
- (6) Lid - $\phi 24" \times .075"$ Wall Steel Lid w/ Dome
- (7) Mounted with Three $\phi 1/2" \times 4-5"$ Stainless Steel Anchor Bolts (Customer Supplied)
- (8) 40 Gallon Rigid Plastic Liner with Handles Included

