



SITESCAPES

P.O. Box 22326  
Lincoln, NE 68542

PF: 402/421-9464  
FX: 402/421-9479

WEBSITE: [www.sitescapesonline.com](http://www.sitescapesonline.com)  
E-MAIL: [info@sitescapesonline.com](mailto:info@sitescapesonline.com)

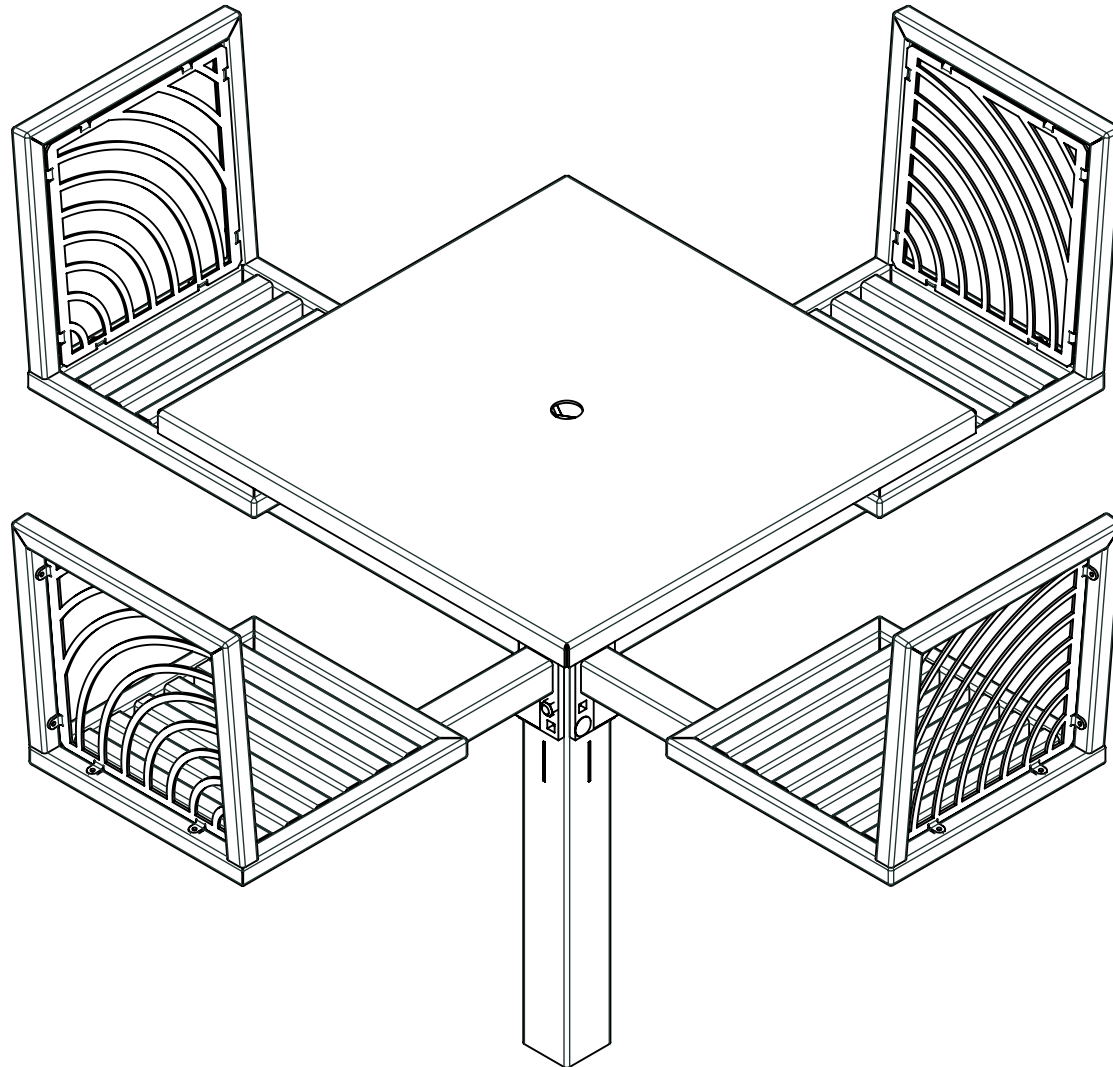
TITLE *CITYVIEW  
CAROUSEL TABLE*

PRODUCT NO.  
*JC6-1224*

INCH TOLERANCES U.O.S.  
FRACTION--  $\pm 1/16"$   
ANG-----  $\pm 1^\circ$

THE INFORMATION CONTAINED IN THIS DRAWING IS THE SOLE PROPERTY OF SITESCAPES, INC. ANY REPRODUCTION IN PART OR AS A WHOLE WITHOUT THE WRITTEN PERMISSION OF SITESCAPES, INC. IS PROHIBITED.

\*Available in powder coat and DuraCoat finishes





# SITESCAPES

P.O. Box 22326  
Lincoln, NE 68542

PF: 402/421-9464  
FX: 402/421-9479

WEBSITE: [www.sitescapesonline.com](http://www.sitescapesonline.com)  
E-MAIL: [info@sitescapesonline.com](mailto:info@sitescapesonline.com)

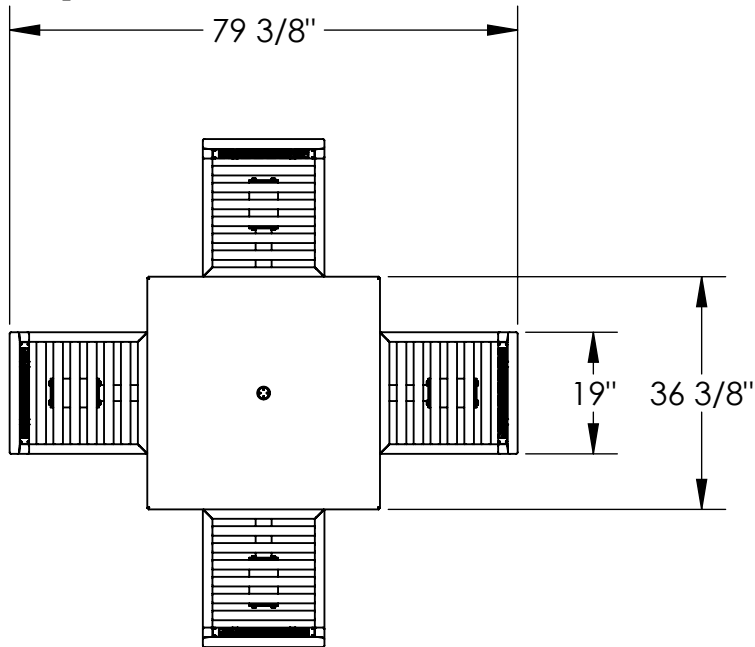
TITLE  
*CITYVIEW  
CAROUSEL TABLE*

PRODUCT NO.  
*JC6-1224*

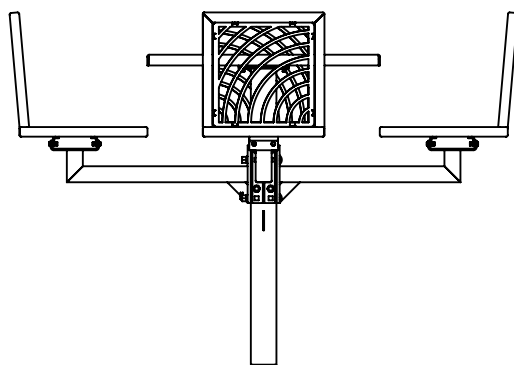
INCH TOLERANCES U.O.S.  
FRACTION--  $\pm 1/16"$   
ANG-----  $\pm 1^\circ$

THE INFORMATION CONTAINED IN THIS DRAWING IS THE SOLE PROPERTY OF SITESCAPES, INC. ANY REPRODUCTION IN PART OR AS A WHOLE WITHOUT THE WRITTEN PERMISSION OF SITESCAPES, INC. IS PROHIBITED.

\*Available in powder coat and DuraCoat finishes



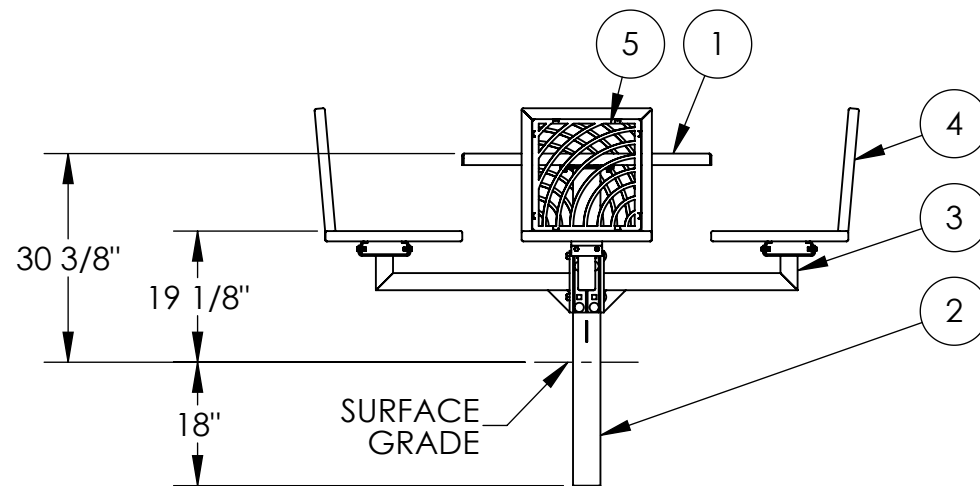
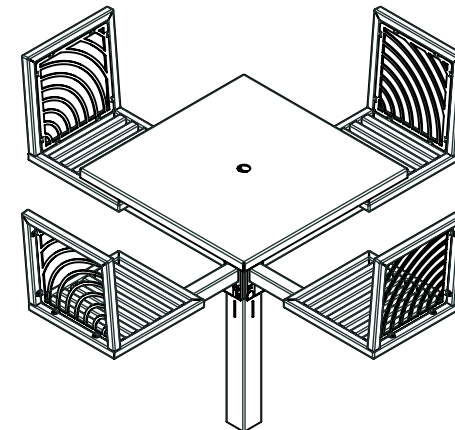
TOP VIEW



FRONT VIEW

### MATERIALS LIST:

- (1) Table Top - 7 Gauge Stainless Steel
- (2) Table Top Post - 4" Sq. x 1/8" Wall Steel Tubing
- (3) Chair Support Tubes - 2 1/2" Sq. x 1/8" Wall Steel Tubing
- (4) Chair Frame- 1 1/2" Sq. x 1/8" Wall Steel Tubing
- (5) Chair Panels - 7 Gauge Mild Steel Plate



RIGHT SIDE VIEW