



P.O. Box 22326  
Lincoln, NE 68542

PF: 402/421-9464 | WEBSITE: [www.sitescapesonline.com](http://www.sitescapesonline.com)  
FX: 402/421-9479 | E-MAIL: [info@sitescapesonline.com](mailto:info@sitescapesonline.com)

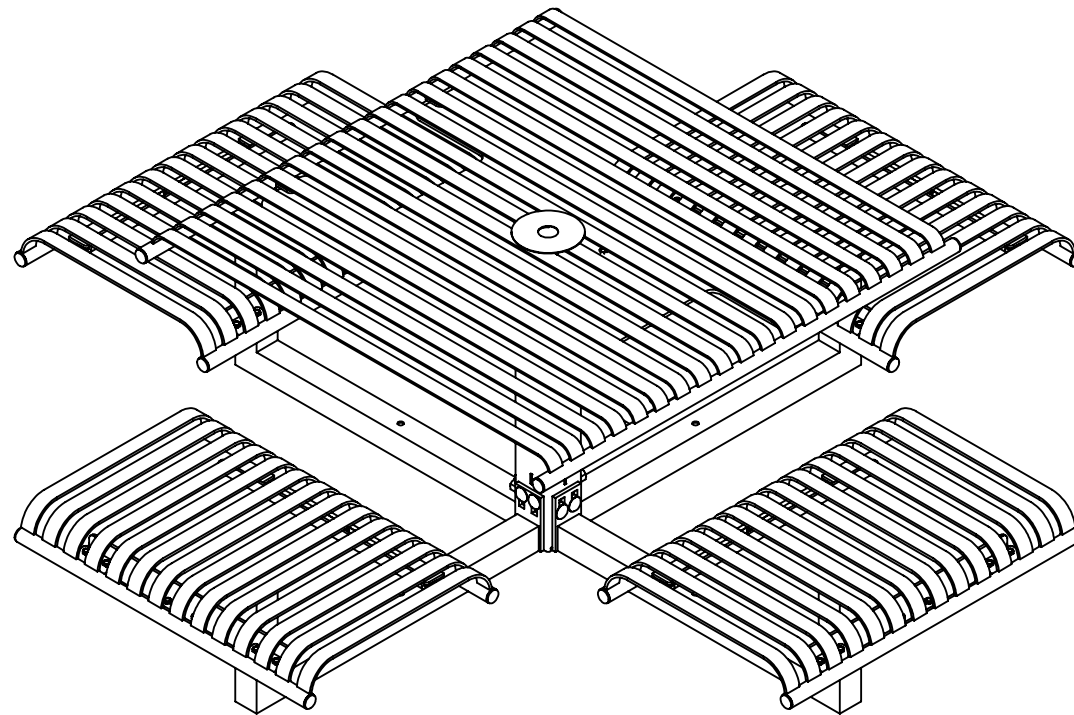
TITLE *CITYVIEW  
CAROUSEL TABLE*

PRODUCT NO.  
*CV6-3340*

INCH TOLERANCES U.O.S.  
FRACTION--  $\pm 1/16"$   
ANG-----  $\pm 1^\circ$

THE INFORMATION CONTAINED IN THIS DRAWING IS THE SOLE PROPERTY OF SITESCAPES, INC. ANY REPRODUCTION IN PART OR AS A WHOLE WITHOUT THE WRITTEN PERMISSION OF SITESCAPES, INC. IS PROHIBITED.

\*Available in powder coat and DuraCoat finishes





P.O. Box 22326  
Lincoln, NE 68542

PF: 402/421-9464 | WEBSITE: [www.sitescapesonline.com](http://www.sitescapesonline.com)  
FX: 402/421-9479 | E-MAIL: [info@sitescapesonline.com](mailto:info@sitescapesonline.com)

TITLE *CITYVIEW  
CAROUSEL TABLE*

PRODUCT NO.  
*CV6-3340*

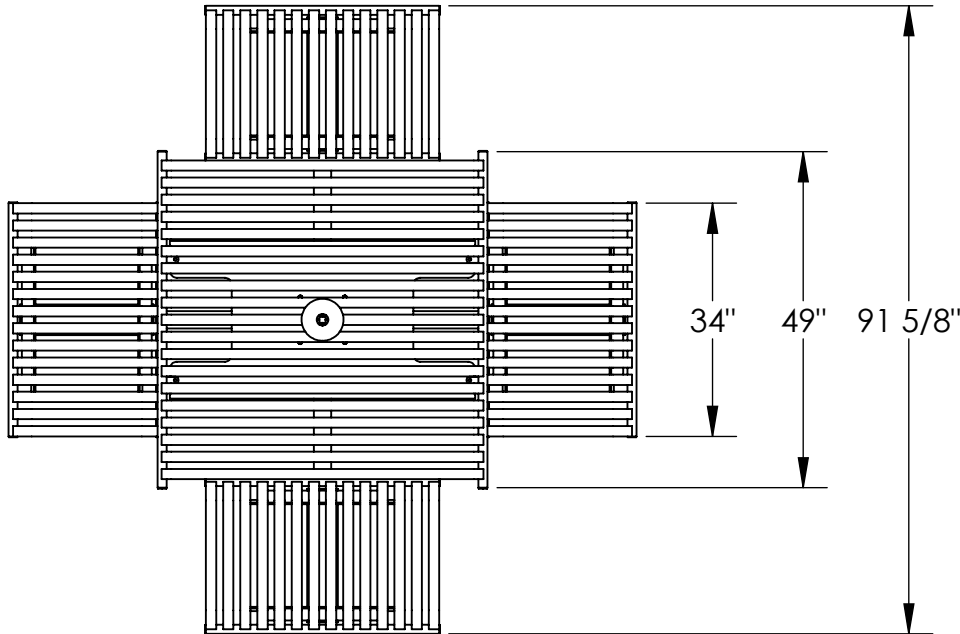
INCH TOLERANCES U.O.S.  
FRACTION--  $\pm 1/16"$   
ANG-----  $\pm 1^\circ$

THE INFORMATION CONTAINED IN THIS DRAWING IS THE SOLE PROPERTY OF SITESCAPES, INC. ANY REPRODUCTION IN PART OR AS A WHOLE WITHOUT THE WRITTEN PERMISSION OF SITESCAPES, INC. IS PROHIBITED.

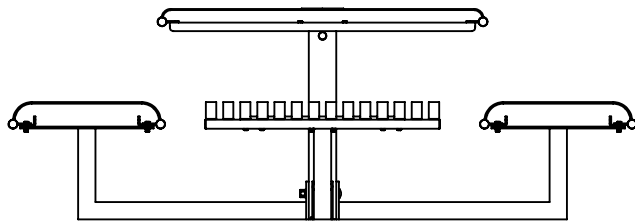
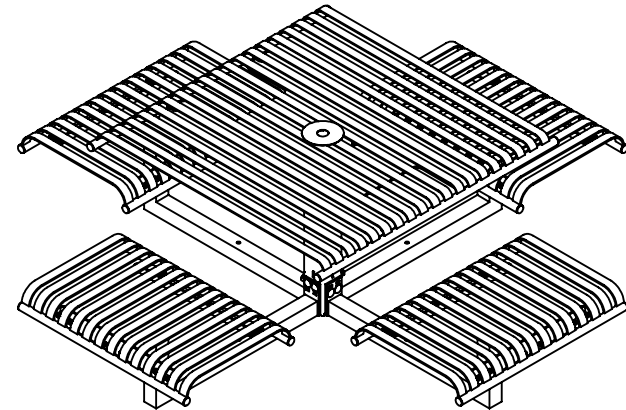
\*Available in powder coat and DuraCoat finishes

MATERIALS LIST

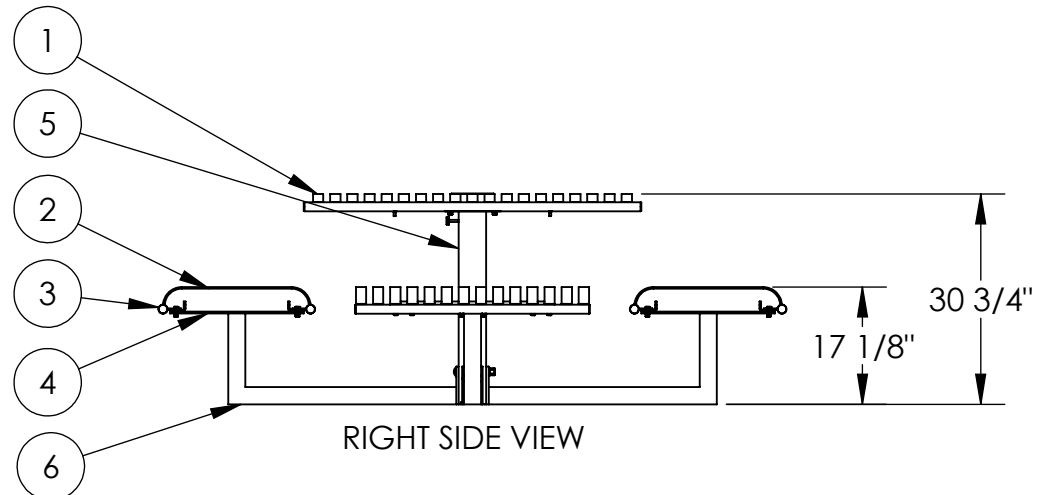
- (1) Table Top Straps - 3/16" x 1 1/2" Steel Flat Bar
- (2) Seat Straps - 1/4" x 1 1/2" Steel Flat Bar
- (3) Strap Supports -  $\phi 1.315"$  x .133" Wall Steel Tubing
- (4) Seat Supports - 1/4" Steel Plate
- (5) Center Post - 4" Sq. x 1/8" Wall Steel Tubing
- (6) Seat Post - 2 1/2" Sq. x 1/8" Wall Steel Tubing



TOP VIEW



FRONT VIEW



RIGHT SIDE VIEW