



P.O. Box 22326
Lincoln, NE 68542

PF: 402/421-9464 | WEBSITE: www.sitescapesonline.com
FX: 402/421-9479 | E-MAIL: info@sitescapesonline.com

INCH TOLERANCES U.O.S.

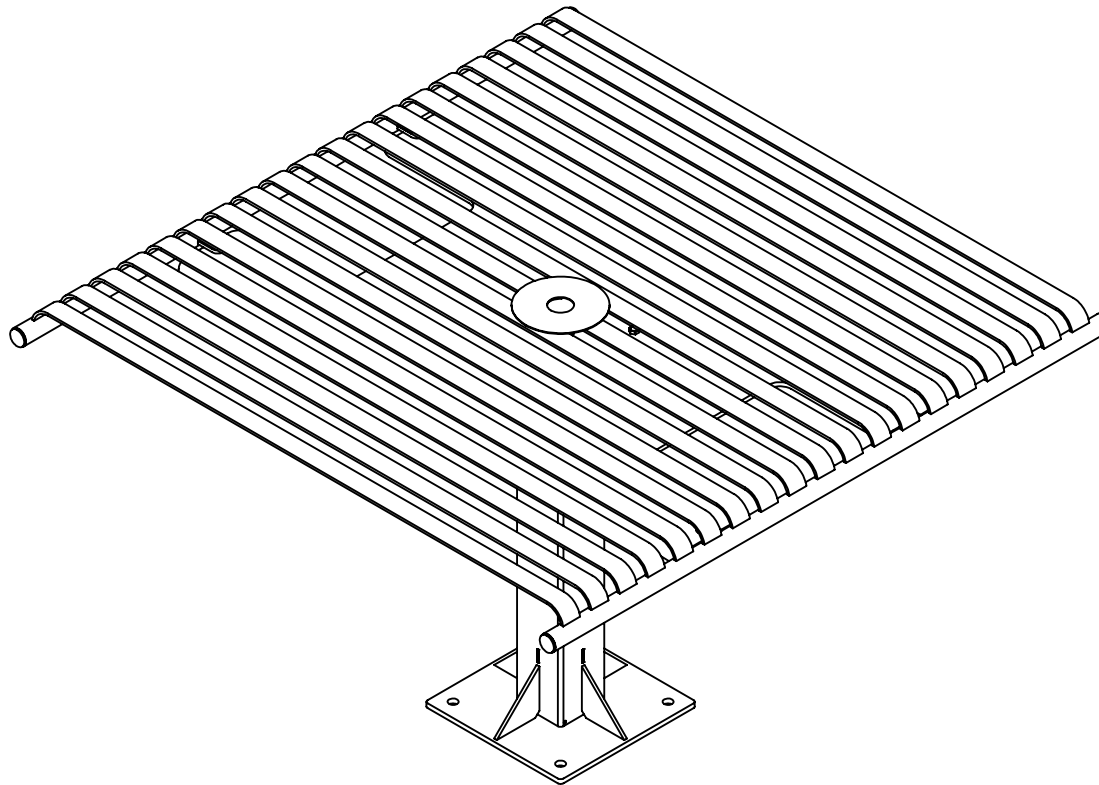
THE INFORMATION CONTAINED IN THIS DRAWING IS THE SOLE PROPERTY OF SITESCAPES, INC. ANY REPRODUCTION IN PART OR AS A WHOLE WITHOUT THE WRITTEN PERMISSION OF SITESCAPES, INC. IS PROHIBITED.

TITLE *CITYVIEW
TABLE*

PRODUCT NO.
CV6-3301

FRACTION-- $\pm 1/16"$
ANG----- $\pm 1^\circ$

*Available in powder coat and DuraCoat finishes





P.O. Box 22326
Lincoln, NE 68542

PF: 402/421-9464 | WEBSITE: www.sitescapesonline.com
FX: 402/421-9479 | E-MAIL: info@sitescapesonline.com

TITLE *CITYVIEW
TABLE*

PRODUCT NO.
CV6-3301

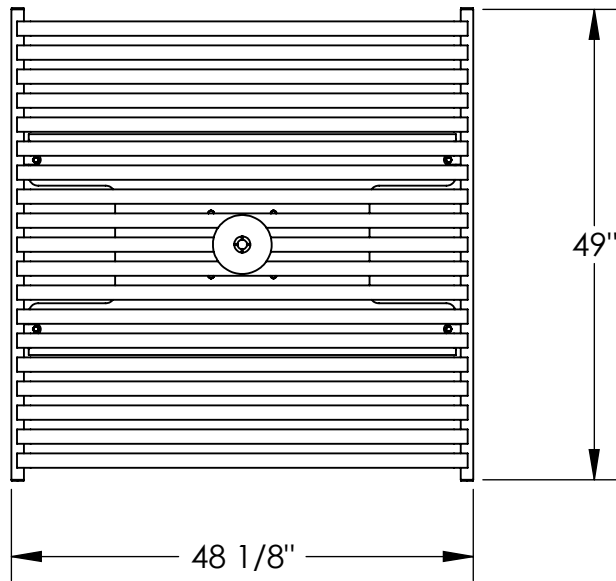
INCH TOLERANCES U.O.S.
FRACTION-- $\pm 1/16"$
ANG----- $\pm 1^\circ$

THE INFORMATION CONTAINED IN THIS DRAWING IS THE SOLE PROPERTY OF SITESCAPES, INC. ANY REPRODUCTION IN PART OR AS A WHOLE WITHOUT THE WRITTEN PERMISSION OF SITESCAPES, INC. IS PROHIBITED.

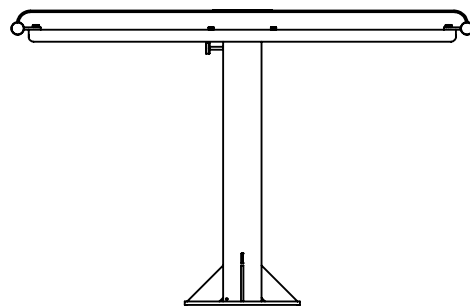
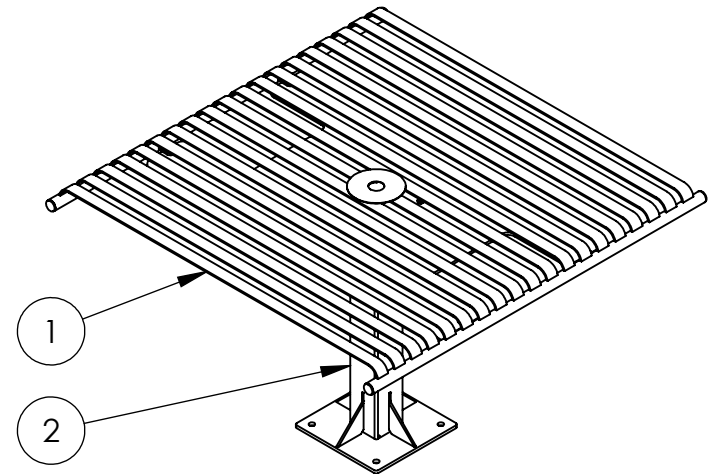
*Available in powder coat and DuraCoat finishes

MATERIALS LIST

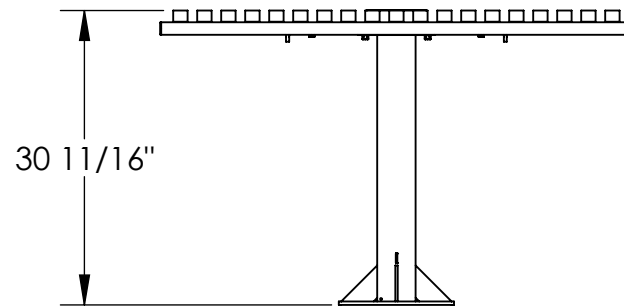
- (1) Table Top - 3/16" x 1 1/2" Steel Flat Bar
- (2) Center Post - 4" Sq. x 1/8" Wall Steel Tubing
- (3) Surface Mount Plate - 12" Sq. x 3/8" Stainless Steel Plate with 9/16" Mounting Holes
- (4) Mounted with Four 1/2" x 4-5" Stainless Steel Anchor Bolts



TOP VIEW



FRONT VIEW



RIGHT SIDE VIEW