



P.O. Box 22326
Lincoln, NE 68542

PF: 402/421-9464 | WEBSITE: www.sitescapesonline.com
FX: 402/421-9479 | E-MAIL: info@sitescapesonline.com

INCH TOLERANCES U.O.S.

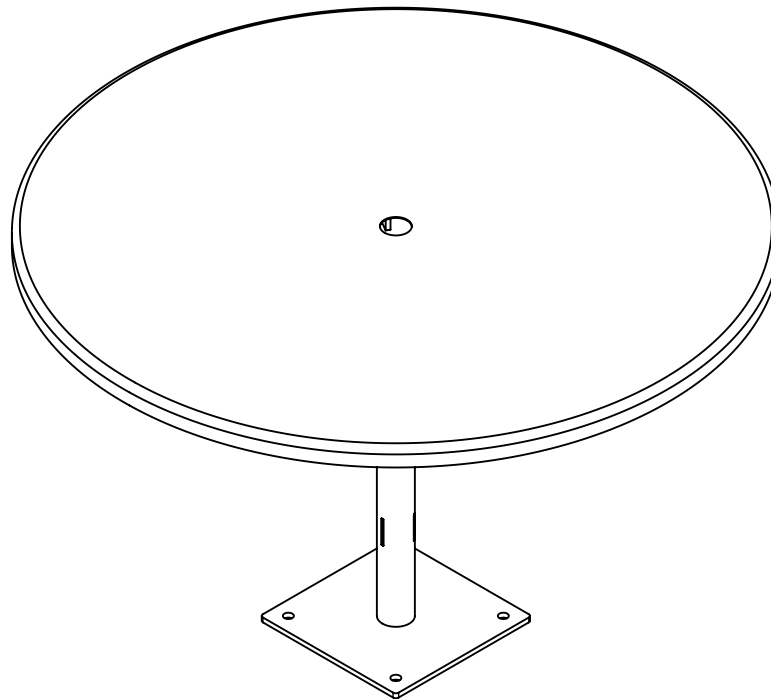
THE INFORMATION CONTAINED IN THIS DRAWING IS THE SOLE PROPERTY OF SITESCAPES, INC. ANY REPRODUCTION IN PART OR AS A WHOLE WITHOUT THE WRITTEN PERMISSION OF SITESCAPES, INC. IS PROHIBITED.

TITLE *CITYVIEW
TABLE*

PRODUCT NO.
CV6-3101

FRACTION-- $\pm 1/16"$
ANG----- $\pm 1^\circ$

*Available in powder coat and DuraCoat finishes





P.O. Box 22326
Lincoln, NE 68542

PF: 402/421-9464 | WEBSITE: www.sitescapesonline.com
FX: 402/421-9479 | E-MAIL: info@sitescapesonline.com

INCH TOLERANCES U.O.S.

FRACTION-- $\pm 1/16"$
ANG----- $\pm 1^\circ$

THE INFORMATION CONTAINED IN THIS DRAWING IS THE SOLE PROPERTY OF SITESCAPES, INC. ANY REPRODUCTION IN PART OR AS A WHOLE WITHOUT THE WRITTEN PERMISSION OF SITESCAPES, INC. IS PROHIBITED.

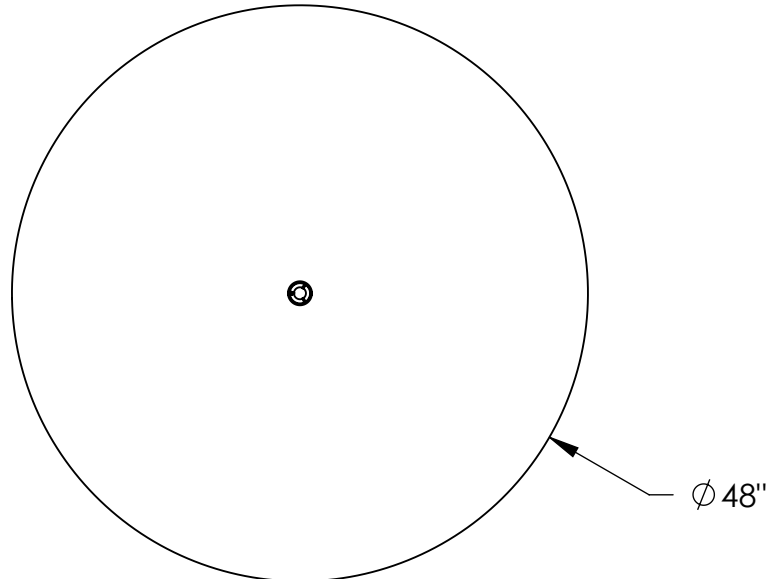
TITLE
*CITYVIEW
TABLE*

PRODUCT NO.
CV6-3101

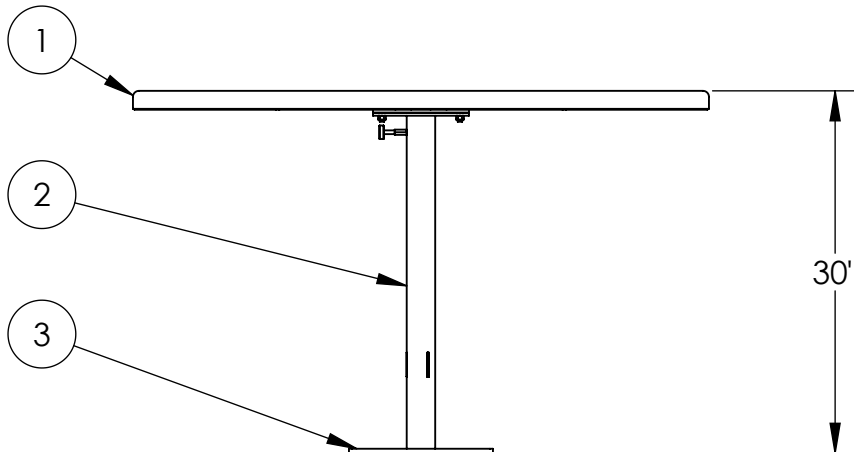
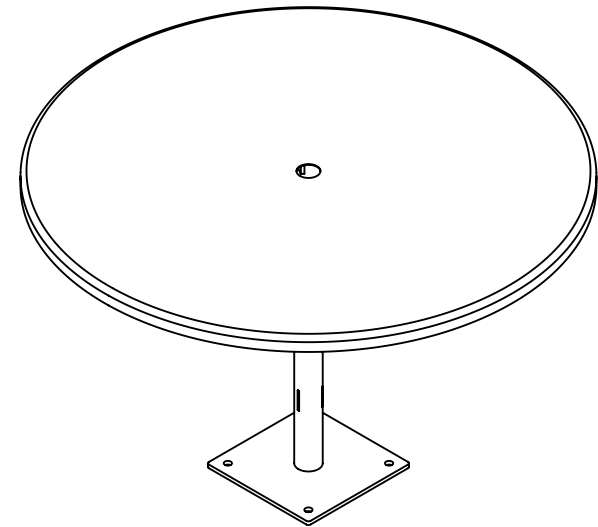
*Available in powder coat and DuraCoat finishes

MATERIALS LIST

- (1) Table Top - 14 Ga. x ϕ 48" Spun Stainless Steel
- (2) Center Post - ϕ 2 3/8" x .154" Wall Steel Tubing
- (3) Mounting Plate - 12" Sq. x 3/8" Stainless Steel Plate



TOP VIEW



FRONT VIEW