



SITESCAPES

P.O. Box 22326  
Lincoln, NE 68542

PF: 402/421-9464  
FX: 402/421-9479

WEBSITE: [www.sitescapesonline.com](http://www.sitescapesonline.com)  
E-MAIL: [info@sitescapesonline.com](mailto:info@sitescapesonline.com)

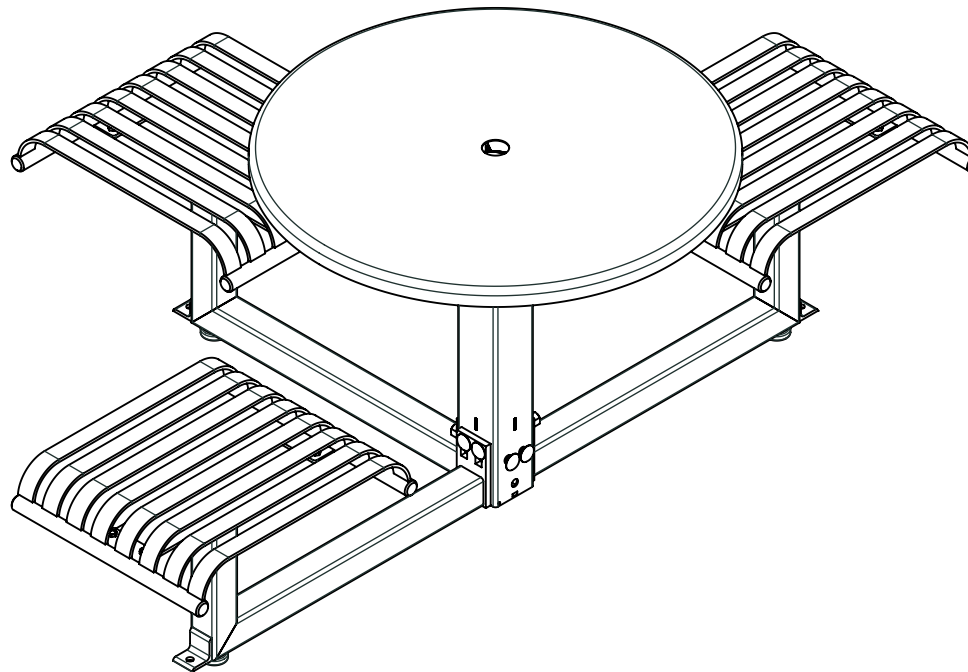
TITLE *CITYVIEW  
CAROUSEL TABLE*

PRODUCT NO.  
*CV6-1130*

INCH TOLERANCES U.O.S.  
FRACTION--  $\pm 1/16"$   
ANG-----  $\pm 1^\circ$

THE INFORMATION CONTAINED IN THIS DRAWING IS THE SOLE PROPERTY OF SITESCAPES, INC. ANY REPRODUCTION IN PART OR AS A WHOLE WITHOUT THE WRITTEN PERMISSION OF SITESCAPES, INC. IS PROHIBITED.

\*Available in powder coat and DuraCoat finishes





# SITESCAPES

P.O. Box 22326  
Lincoln, NE 68542

PF: 402/421-9464  
FX: 402/421-9479

WEBSITE: [www.sitescapesonline.com](http://www.sitescapesonline.com)  
E-MAIL: [info@sitescapesonline.com](mailto:info@sitescapesonline.com)

TITLE *CITYVIEW  
CAROUSEL TABLE*

PRODUCT NO.  
*CV6-1130*

INCH TOLERANCES U.O.S.  
FRACTION--  $\pm 1/16"$   
ANG-----  $\pm 1^\circ$

THE INFORMATION CONTAINED IN THIS DRAWING IS THE SOLE PROPERTY OF SITESCAPES, INC. ANY REPRODUCTION IN PART OR AS A WHOLE WITHOUT THE WRITTEN PERMISSION OF SITESCAPES, INC. IS PROHIBITED.

\*Available in powder coat and DuraCoat finishes

### MATERIALS LIST

- (1) Table Top - 14 Ga. x  $\phi 36"$  Spun Stainless Steel
- (2) Seat Straps -  $1/4" \times 1\ 1/2"$  Steel Flat Bar
- (3) Strap Supports -  $\phi 1.315" \times .133"$  Wall Steel Tubing
- (4) Seat Supports -  $1/4"$  Steel Plate
- (5) Center Post -  $4" \text{ Sq.} \times 1/8"$  Wall Steel Tubing
- (6) Seat Post -  $2\ 1/2" \text{ Sq.} \times 1/8"$  Wall Steel Tubing
- (7) Mount Plate -  $1/4"$  Steel Plate
- (8) Mounted with Four  $\phi 1/2" \times 4\text{-}5"$  Stainless Steel Anchor Bolts (Customer Supplied)

