



P.O. Box 22326
Lincoln, NE 68542

PF: 402/421-9464 | WEBSITE: www.sitescapesonline.com
FX: 402/421-9479 | E-MAIL: info@sitescapesonline.com

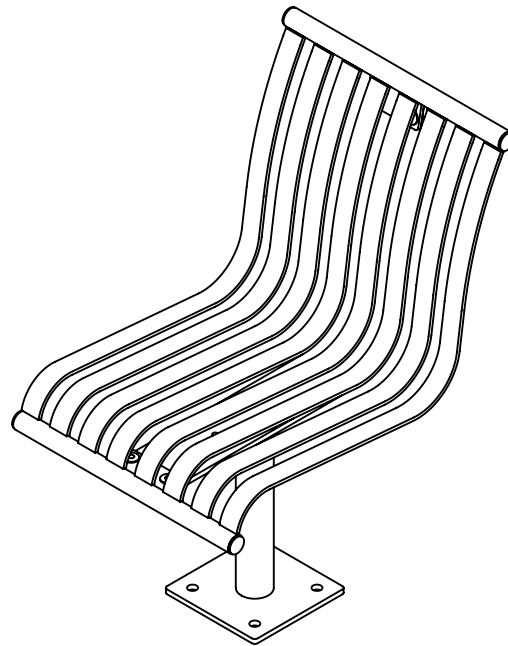
INCH TOLERANCES U.O.S. THE INFORMATION CONTAINED IN THIS DRAWING IS THE SOLE PROPERTY OF SITESCAPES, INC. ANY REPRODUCTION IN PART OR AS A WHOLE WITHOUT THE WRITTEN PERMISSION OF SITESCAPES, INC. IS PROHIBITED.

TITLE *CITYVIEW
BACKED CHAIR*

PRODUCT NO.
CV5-1111

FRACTION-- $\pm 1/16"$
ANG----- $\pm 1^\circ$

*Available in powder coat and DuraCoat finishes





P.O. Box 22326
Lincoln, NE 68542

PF: 402/421-9464 | WEBSITE: www.sitescapesonline.com
FX: 402/421-9479 | E-MAIL: info@sitescapesonline.com

TITLE *CITYVIEW
BACKED CHAIR*

PRODUCT NO.
CV5-1111

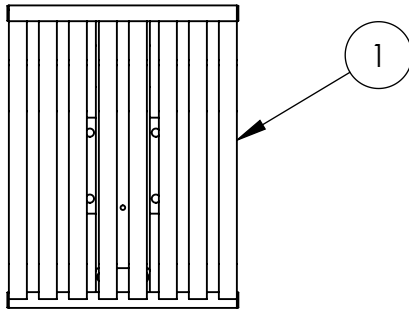
INCH TOLERANCES U.O.S.
FRACTION-- $\pm 1/16"$
ANG----- $\pm 1^\circ$

THE INFORMATION CONTAINED IN THIS DRAWING IS THE SOLE PROPERTY OF SITESCAPES, INC. ANY REPRODUCTION IN PART OR AS A WHOLE WITHOUT THE WRITTEN PERMISSION OF SITESCAPES, INC. IS PROHIBITED.

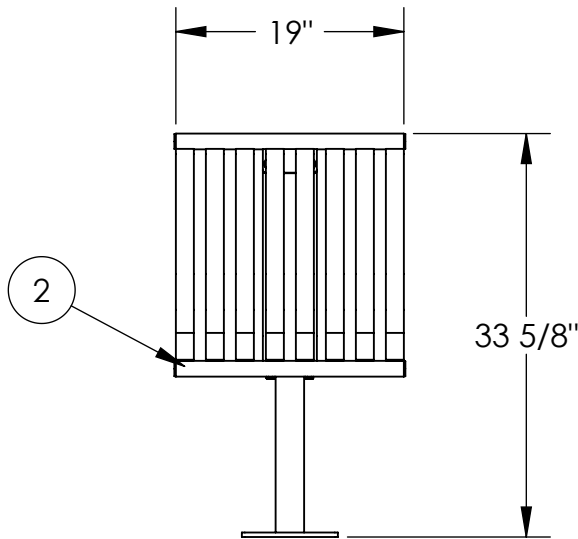
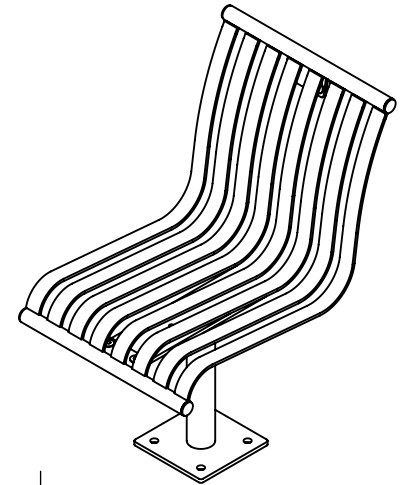
*Available in powder coat and DuraCoat finishes

Materials List

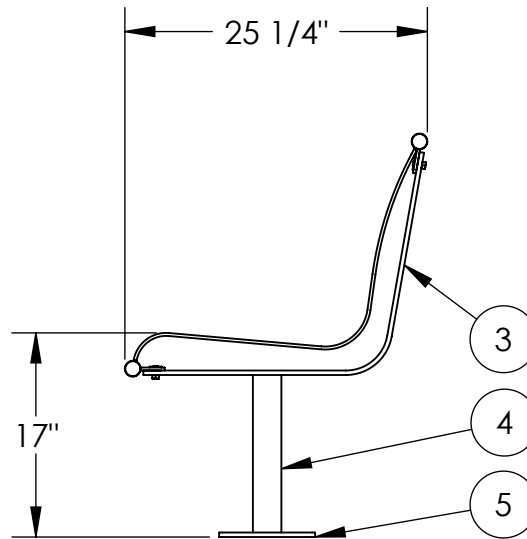
- (1) Seat Straps - 1/4" x 1 1/2" Steel Flat Bar
- (2) Support Pipes - $\phi 1.315"$ x .133" Steel Pipe
- (3) Support Strap - 3/8" x 4 1/2" Steel Plate
- (4) Mounting Pipe - $\phi 2 3/8"$ x .154" Wall Steel Tubing
- (5) Surface Plate - 8" Sq. x 3/8" Steel Plate with $\phi 9/16"$ Mounting Holes
- (6) Mounted with Three $\phi 1/2"$ x 4-5" Stainless Steel Anchor Bolts (Customer Supplied)



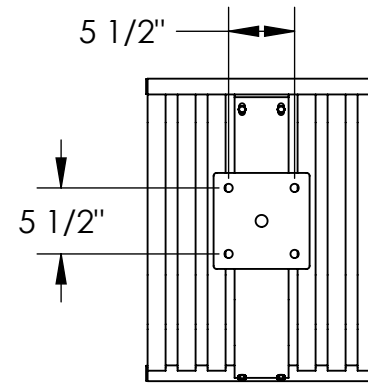
TOP VIEW



FRONT VIEW



RIGHT SIDE VIEW



SURFACE PLATE
DETAIL