



P.O. Box 22326
Lincoln, NE 68542

PF: 402/421-9464 | WEBSITE: www.sitescapesonline.com
FX: 402/421-9479 | E-MAIL: info@sitescapesonline.com

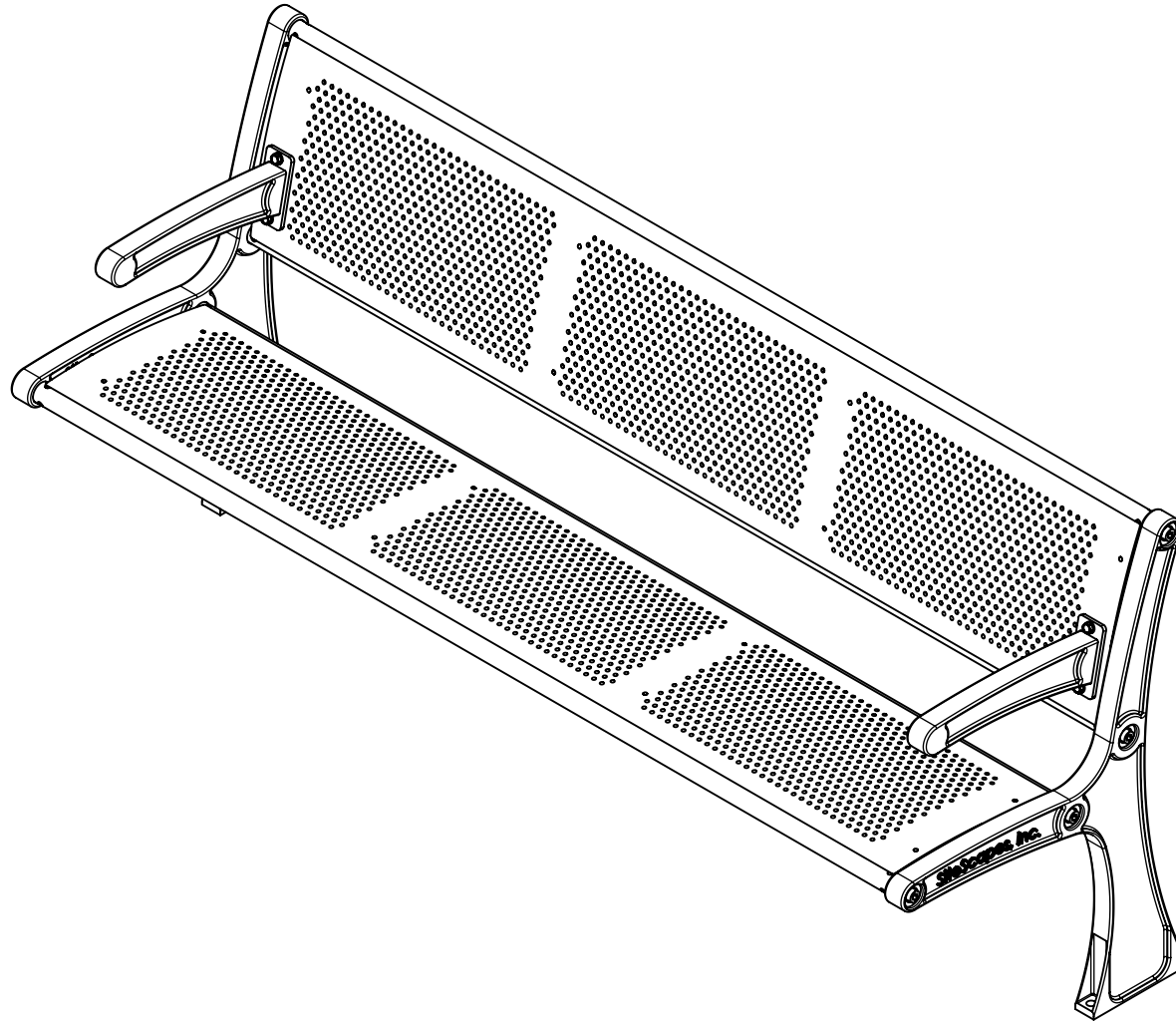
TITLE *CANOPY
BACKED BENCH*

PRODUCT NO.
CP1-1002

INCH TOLERANCES U.O.S.
FRACTION-- $\pm 1/16$ "
ANG----- $\pm 1^\circ$

Property of SiteScapes, Inc 2013.
All rights reserved.

*Available in powder coat and DuraCoat finishes





P.O. Box 22326
Lincoln, NE 68542

PF: 402/421-9464 | WEBSITE: www.sitescapesonline.com
FX: 402/421-9479 | E-MAIL: info@sitescapesonline.com

INCH TOLERANCES U.O.S.

TITLE *CANOPY
BACKED BENCH*

PRODUCT NO.
CP1-1002

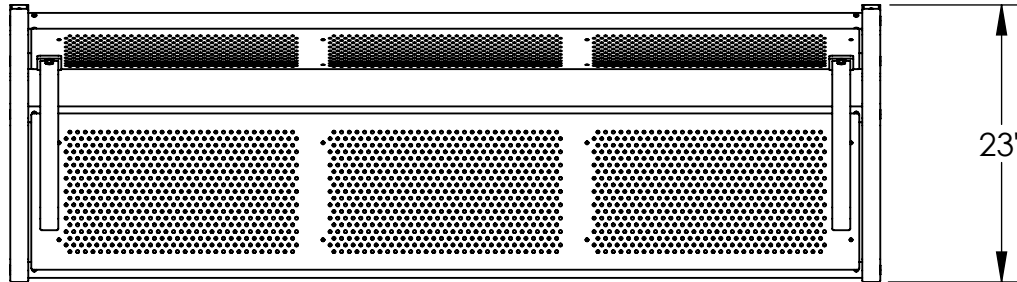
FRACTION-- $\pm 1/16$ "
ANG----- $\pm 1^\circ$

Property of SiteScapes, Inc 2013.
All rights reserved.

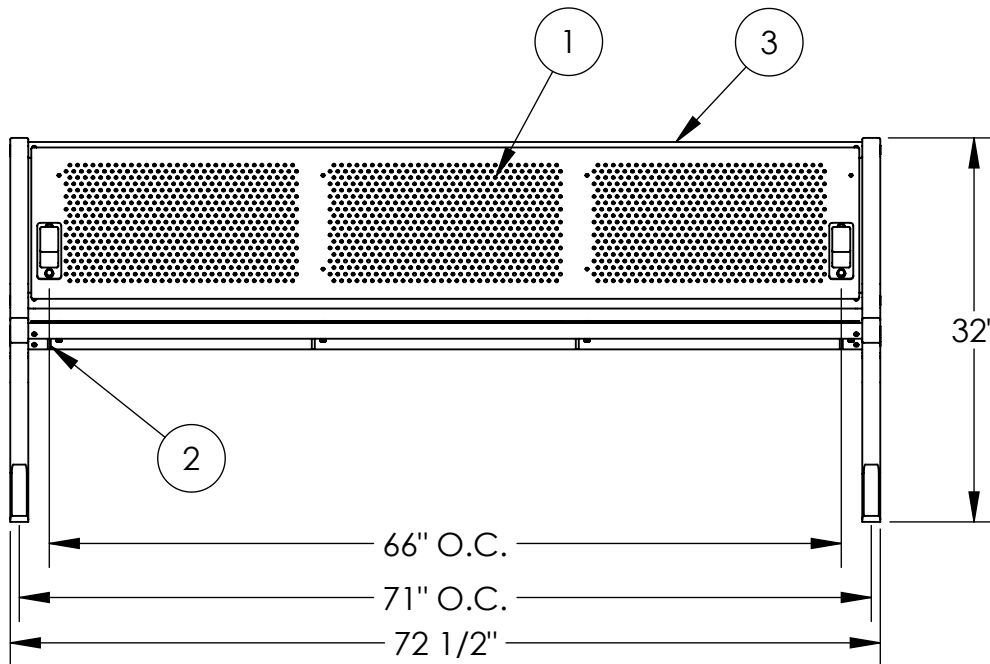
*Available in powder coat and DuraCoat finishes

Materials List

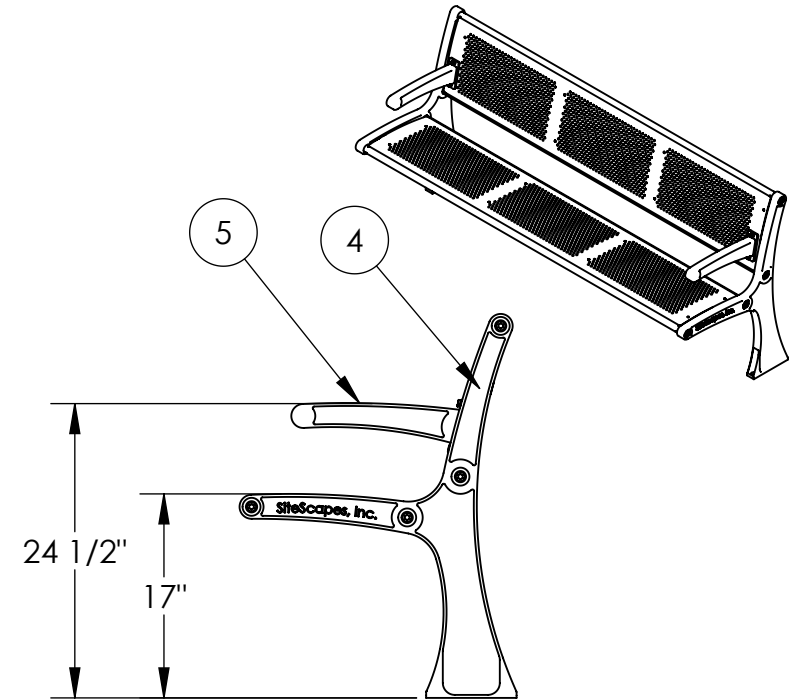
- (1) Perforated Seat - 1/8" Aluminum Sheet
- (2) Seat Supports - 1/4" Aluminum Plate
- (3) Support Pipes - $\phi 1.315$ " x .133" Aluminum Pipe
- (4) End Unit - 1 1/2" Cast Aluminum With 9/16" Mounting Holes
- (5) Armrest - 1 1/2" Cast Aluminum
- (6) Mounted with Four $\phi 1/2$ " x 4-5" Stainless Steel Anchor Bolts (Customer Supplied)



TOP VIEW



FRONT VIEW



RIGHT SIDE VIEW