



P.O. Box 22326
Lincoln, NE 68542

PF: 402/421-9464 | WEBSITE: www.sitescapesonline.com
FX: 402/421-9479 | E-MAIL: info@sitescapesonline.com

TITLE *AVONDALE
TABLE & BENCHES*

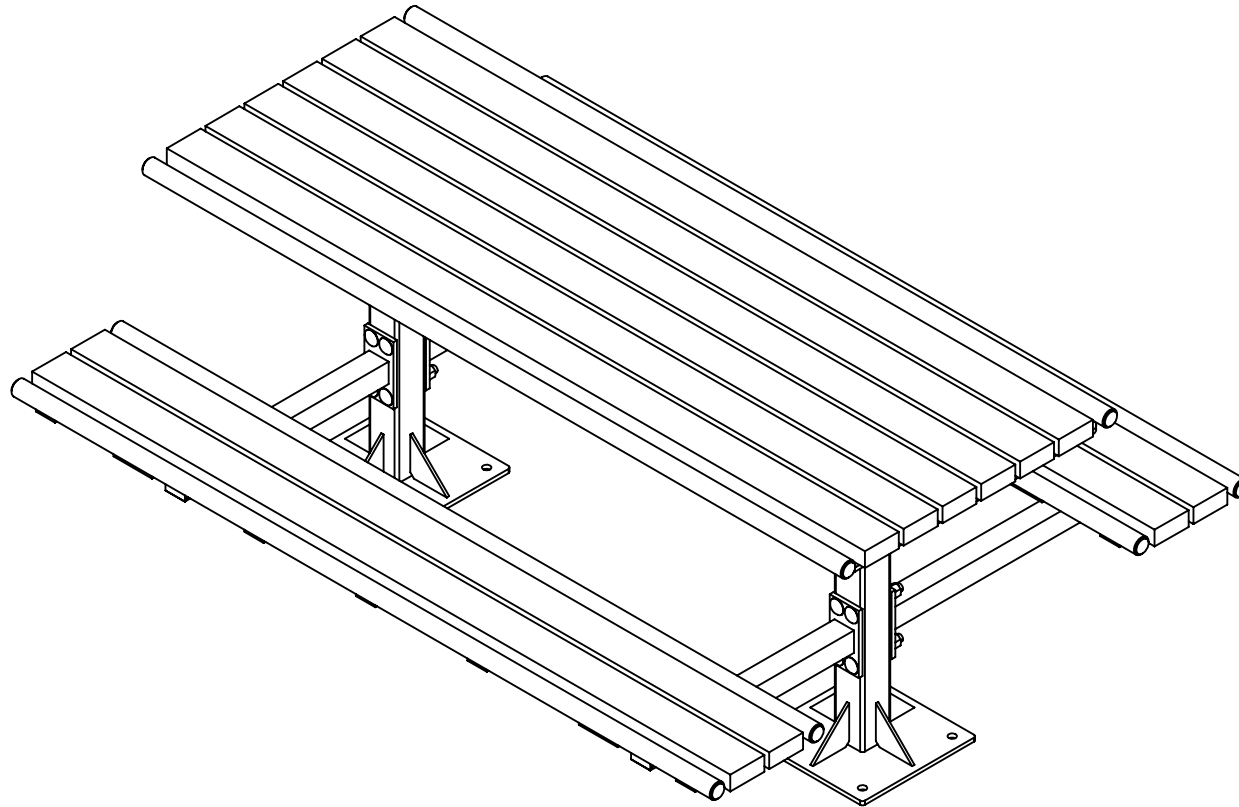
PRODUCT NO.
AV6-4563-RP

INCH TOLERANCES U.O.S.

FRACTION-- $\pm 1/16"$
ANG----- $\pm 1^\circ$

THE INFORMATION CONTAINED IN THIS DRAWING IS THE SOLE PROPERTY OF SITESCAPES, INC. ANY REPRODUCTION IN PART OR AS A WHOLE WITHOUT THE WRITTEN PERMISSION OF SITESCAPES, INC. IS PROHIBITED.

*Available in powder coat and DuraCoat finishes





P.O. Box 22326
Lincoln, NE 68542

PF: 402/421-9464
FX: 402/421-9479

WEBSITE: www.sitescapesonline.com
E-MAIL: info@sitescapesonline.com

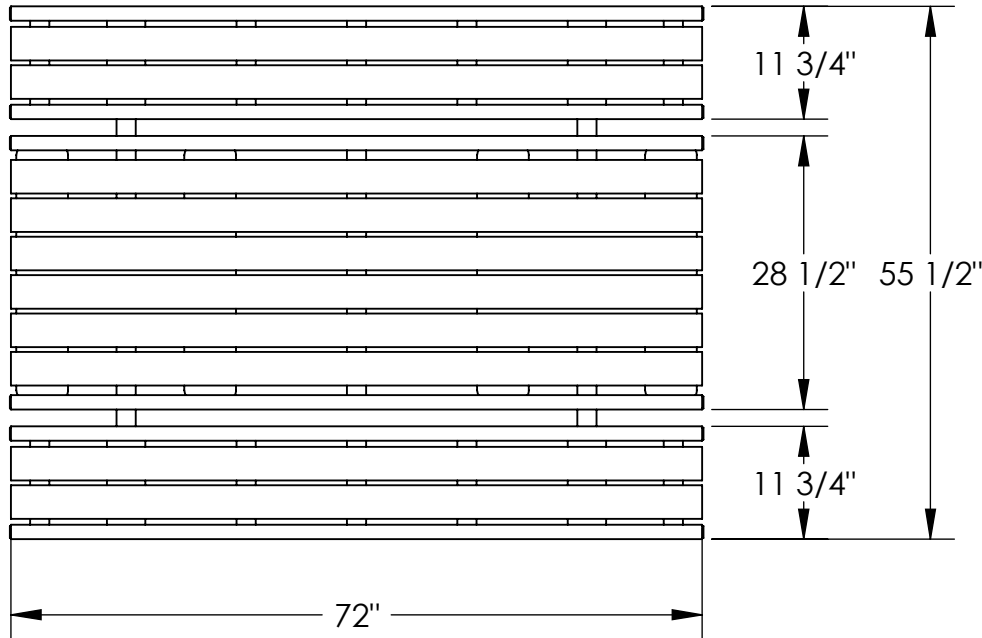
TITLE *AVONDALE
TABLE & BENCHES*

PRODUCT NO.
AV6-4563-RP

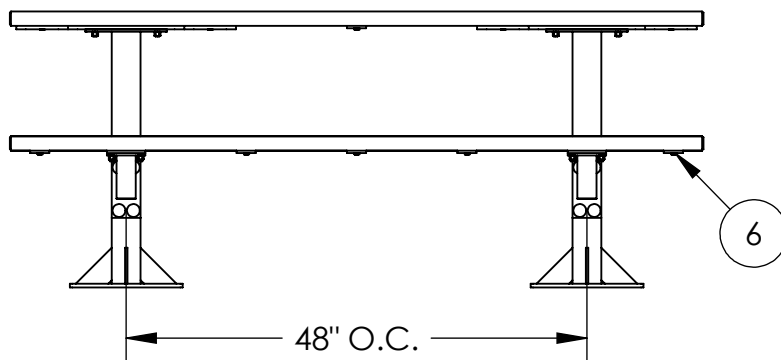
FRACTION-- $\pm 1/16"$
ANG----- $\pm 1^\circ$

THE INFORMATION CONTAINED IN THIS DRAWING IS THE SOLE PROPERTY OF SITESCAPES, INC. ANY REPRODUCTION IN PART OR AS A WHOLE WITHOUT THE WRITTEN PERMISSION OF SITESCAPES, INC. IS PROHIBITED.

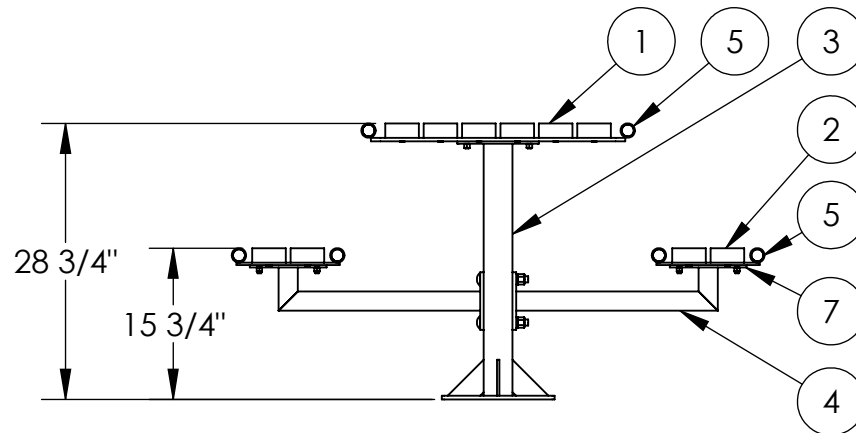
*Available in powder coat and DuraCoat finishes



TOP VIEW



FRONT VIEW



RIGHT SIDE VIEW

MATERIALS LIST:

- (1) Table Top - 2" x 4" Nominal Recycled Plastic
- (2) Seat Slats - 2" x 4" Nominal Recycled Plastic
- (3) Center Tubes - 3" Sq. x 1/8" Wall Steel Tubing
- (4) Seat Tubes - 2" Sq. x 1/8" Wall Steel Tubing
- (5) Support Pipes - ϕ 1 1/2" Sch. 40 Steel Pipe
- (6) Slat Supports - 3/8" x 2" Steel Flat Bar
- (7) Seat Supports - 1/4" Steel Plate
- (8) Mounted with (8) ϕ 1/2" Stainless Steel Anchor Bolts (Customer Supplied)

