



P.O. Box 22326
Lincoln, NE 68542

PF: 402/421-9464 | WEBSITE: www.sitescapesonline.com
FX: 402/421-9479 | E-MAIL: info@sitescapesonline.com

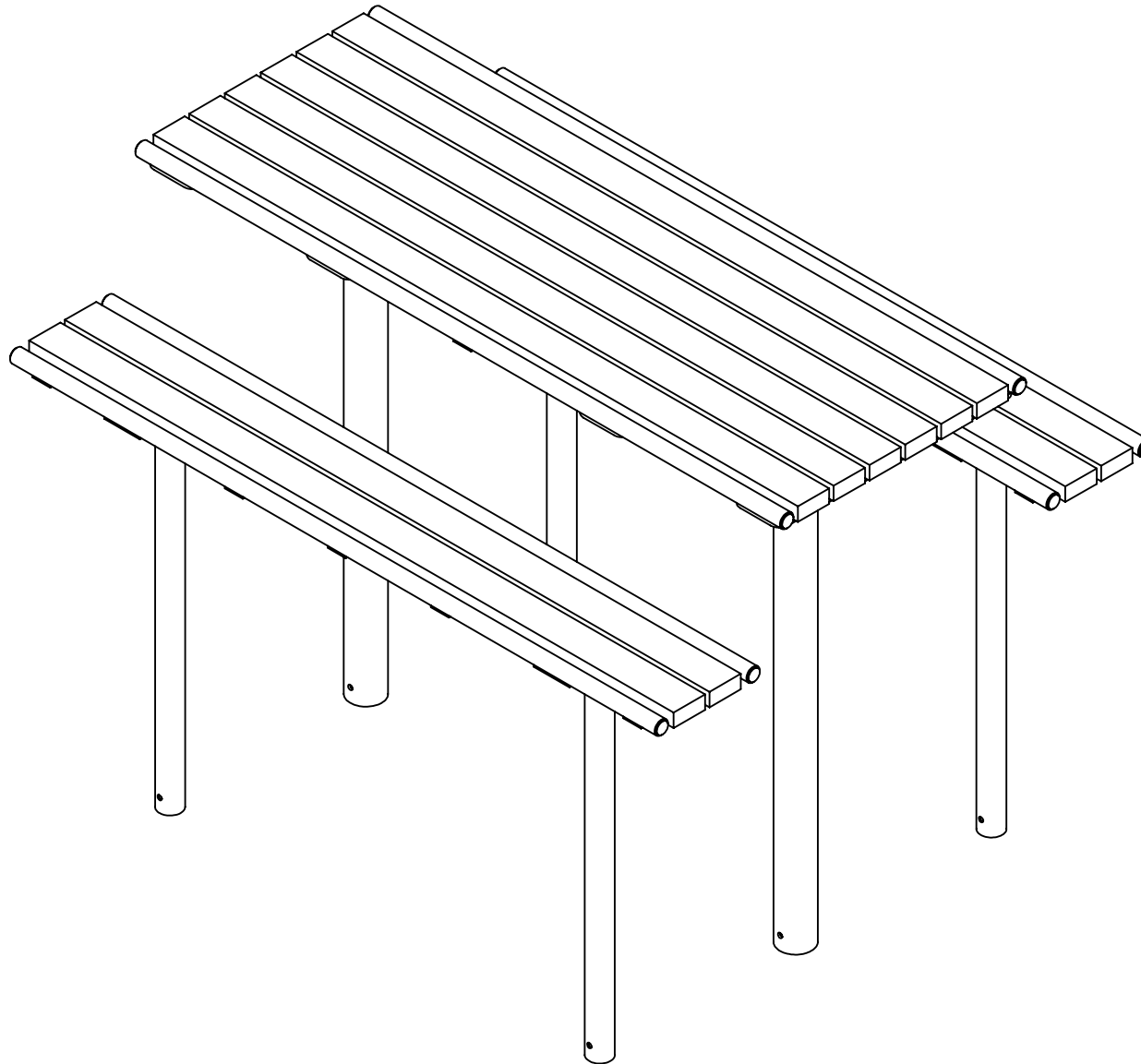
TITLE *AVONDALE
TABLE & BENCHES*

PRODUCT NO.
AV6-4562

INCH TOLERANCES U.O.S.
FRACTION-- $\pm 1/16"$
ANG----- $\pm 1^\circ$

THE INFORMATION CONTAINED IN THIS DRAWING IS THE SOLE PROPERTY OF SITESCAPES, INC. ANY REPRODUCTION IN PART OR AS A WHOLE WITHOUT THE WRITTEN PERMISSION OF SITESCAPES, INC. IS PROHIBITED.

*Available in powder coat and DuraCoat finishes





P.O. Box 22326
Lincoln, NE 68542

PF: 402/421-9464 | WEBSITE: www.sitescapesonline.com
FX: 402/421-9479 | E-MAIL: info@sitescapesonline.com

INCH TOLERANCES U.O.S.

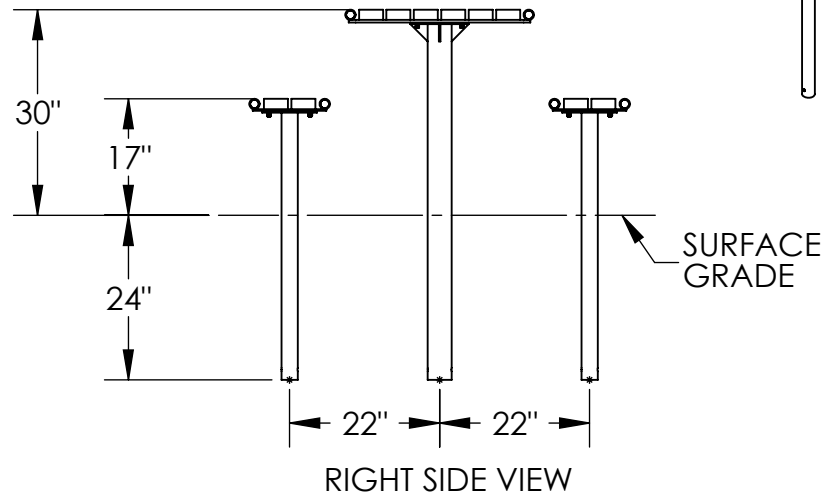
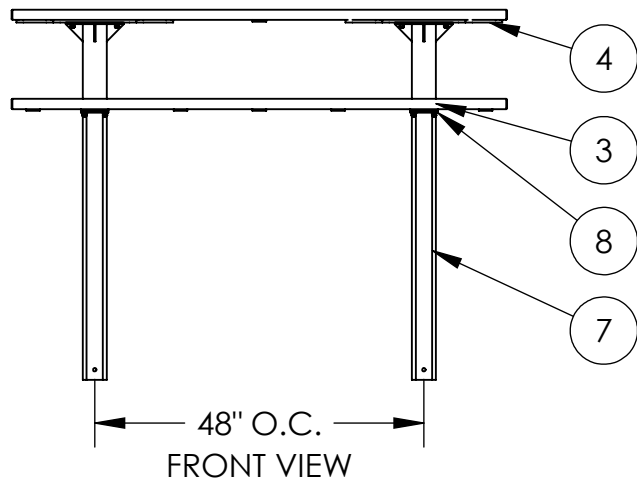
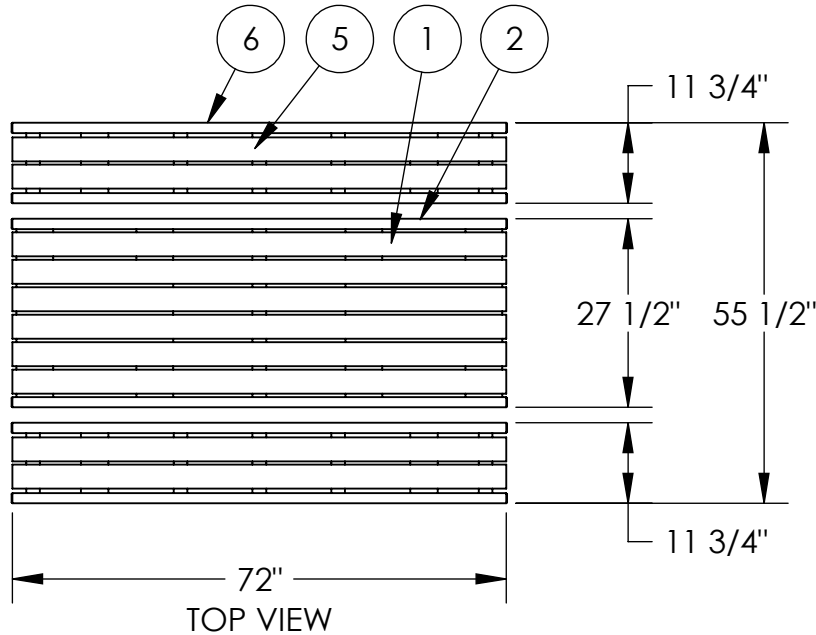
FRACTION-- $\pm 1/16$ "
ANG----- $\pm 1^\circ$

THE INFORMATION CONTAINED IN THIS DRAWING IS THE SOLE PROPERTY OF SITESCAPES, INC. ANY REPRODUCTION IN PART OR AS A WHOLE WITHOUT THE WRITTEN PERMISSION OF SITESCAPES, INC. IS PROHIBITED.

TITLE *AVONDALE
TABLE & BENCHES*

PRODUCT NO.
AV6-4562

*Available in powder coat and DuraCoat finishes



MATERIALS LIST:

Table:

- (1) Table Top Slats - 2" x 4" Nominal Ipe Slats
- (2) Support Tubing - $\phi 1\ 1/2$ " Steel Tubing
- (3) Base Tubing - $\phi 3\ 1/2$ " Steel Tubing
- (4) Support Plates - 1/4" Steel Plate

Bench:

- (5) Bench Slats - 2" x 4" Nominal Ipe Slats
- (6) Support Tubing - $\phi 1\ 1/2$ " Steel Tubing
- (7) Base Tubing - $\phi 2\ 3/8$ " Steel Tubing
- (8) Support Plates - 1/4" Steel Plate

