



P.O. Box 22326
Lincoln, NE 68542

PF: 402/421-9464 | WEBSITE: www.sitescapesonline.com
FX: 402/421-9479 | E-MAIL: info@sitescapesonline.com

TITLE *AVONDALE
TABLE & BENCHES*

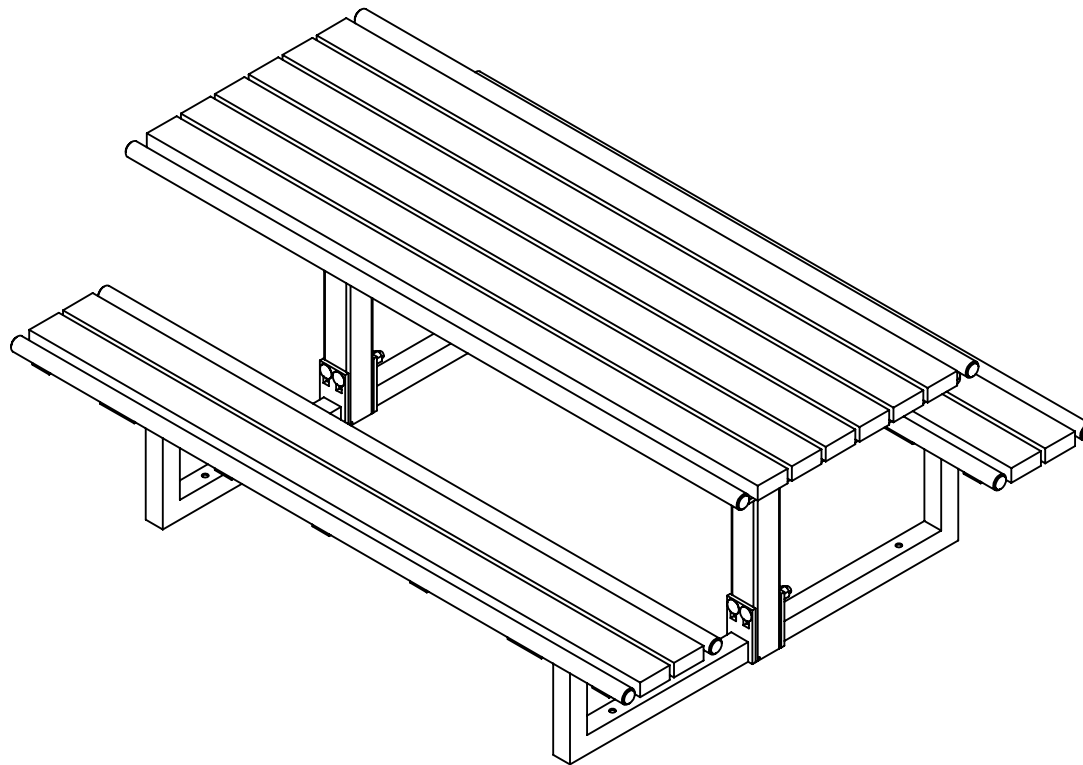
PRODUCT NO.
AV6-4560-RP

INCH TOLERANCES U.O.S.

FRACTION-- $\pm 1/16"$
ANG----- $\pm 1^\circ$

THE INFORMATION CONTAINED IN THIS DRAWING IS THE SOLE PROPERTY OF SITESCAPES, INC. ANY REPRODUCTION IN PART OR AS A WHOLE WITHOUT THE WRITTEN PERMISSION OF SITESCAPES, INC. IS PROHIBITED.

*Available in powder coat and DuraCoat finishes





P.O. Box 22326
Lincoln, NE 68542

PF: 402/421-9464 | WEBSITE: www.sitescapesonline.com
FX: 402/421-9479 | E-MAIL: info@sitescapesonline.com

INCH TOLERANCES U.O.S.

FRACTION-- $\pm 1/16$ "
ANG----- $\pm 1^\circ$

THE INFORMATION CONTAINED IN THIS DRAWING IS THE SOLE PROPERTY OF SITESCAPES, INC. ANY REPRODUCTION IN PART OR AS A WHOLE WITHOUT THE WRITTEN PERMISSION OF SITESCAPES, INC. IS PROHIBITED.

TITLE *AVONDALE
TABLE & BENCHES*

PRODUCT NO.
AV6-4560-RP

*Available in powder coat and DuraCoat finishes

MATERIALS LIST:

- (1) Table/Seat Slats - 2" x 4" Nominal Recycled Plastic
- (2) Support Tubing - ϕ 1 1/2" Steel Tubing
- (3) Table Tube - 3" Sq. x 1/8" Wall Steel Tubing
- (4) Support Plates - 1/4" Steel Plate
- (5) Seat Tube - 2" Sq. x 1/8" Wall Steel Tubing

