



P.O. Box 22326
Lincoln, NE 68542

PF: 402/421-9464 | WEBSITE: www.sitescapesonline.com
FX: 402/421-9479 | E-MAIL: info@sitescapesonline.com

INCH TOLERANCES U.O.S.

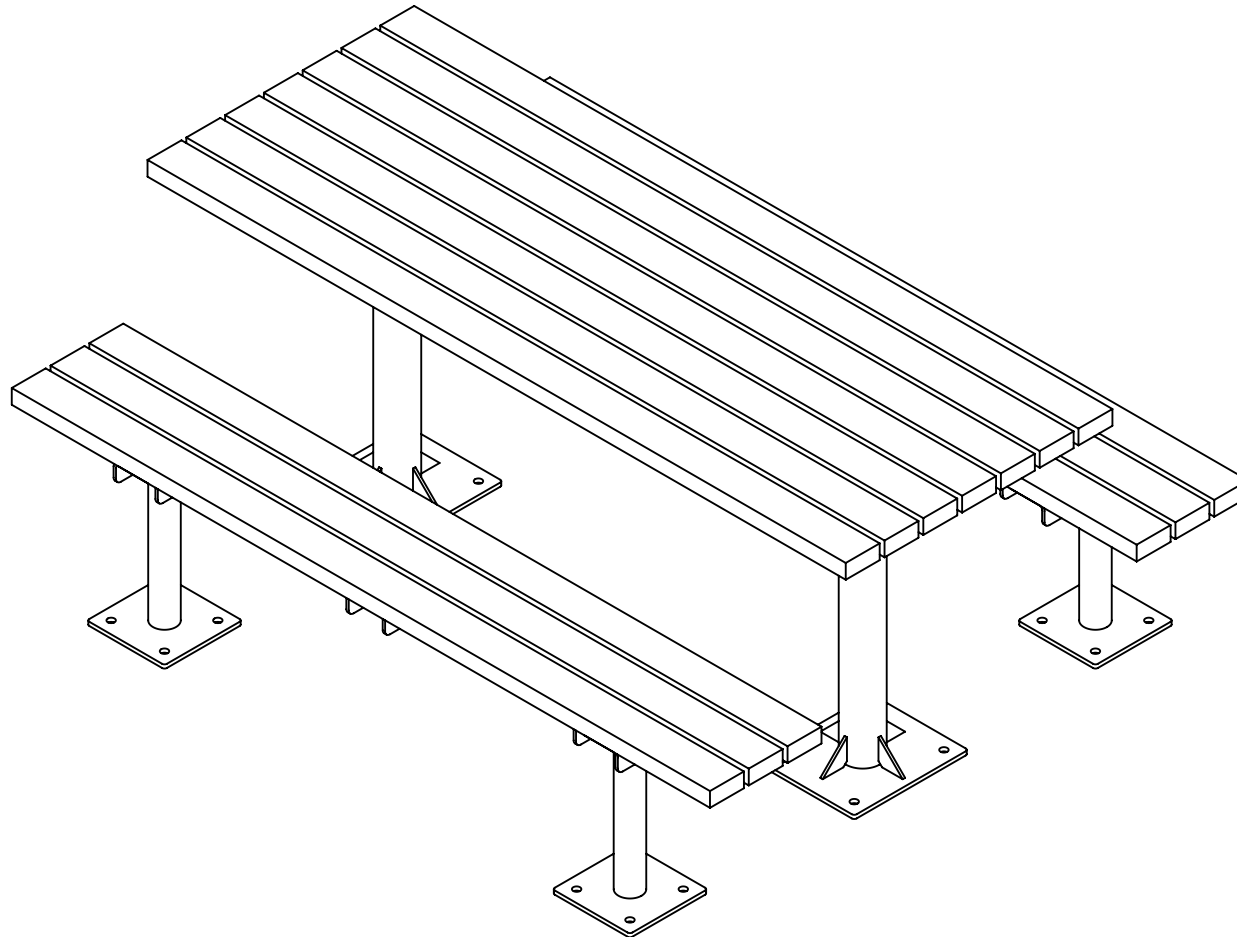
FRACTION-- $\pm 1/16"$
ANG----- $\pm 1^\circ$

THE INFORMATION CONTAINED IN THIS DRAWING IS THE SOLE PROPERTY OF SITESCAPES, INC. ANY REPRODUCTION IN PART OR AS A WHOLE WITHOUT THE WRITTEN PERMISSION OF SITESCAPES, INC. IS PROHIBITED.

TITLE *AVONDALE
TABLE & BENCHES*

PRODUCT NO.
AV6-4461-RP

*Available in powder coat and DuraCoat finishes





P.O. Box 22326
Lincoln, NE 68542

PF: 402/421-9464 | WEBSITE: www.sitescapesonline.com
FX: 402/421-9479 | E-MAIL: info@sitescapesonline.com

TITLE *AVONDALE
TABLE & BENCHES*

PRODUCT NO.
AV6-4461-RP

INCH TOLERANCES U.O.S.
FRACTION-- $\pm 1/16"$
ANG----- $\pm 1^\circ$

THE INFORMATION CONTAINED IN THIS DRAWING IS THE SOLE PROPERTY OF SITESCAPES, INC. ANY REPRODUCTION IN PART OR AS A WHOLE WITHOUT THE WRITTEN PERMISSION OF SITESCAPES, INC. IS PROHIBITED.

*Available in powder coat and DuraCoat finishes

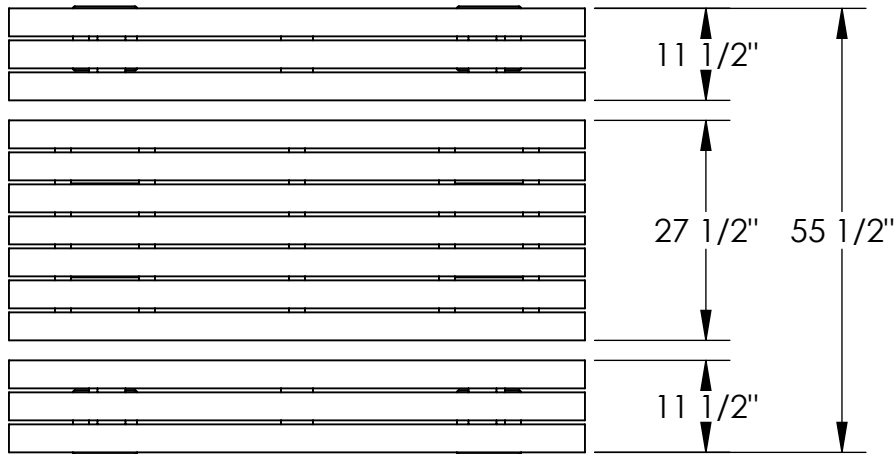
MATERIALS LIST:

Table:

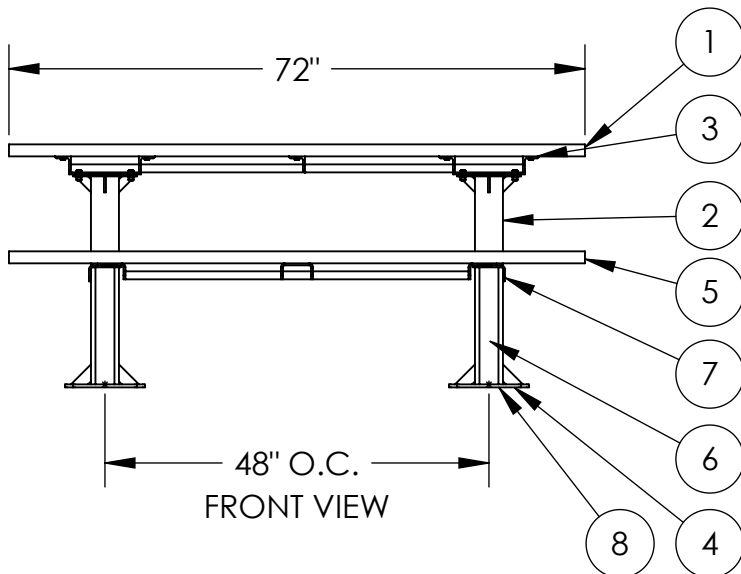
- (1) Table Top Slats - 2" x 4" Nominal Recycled Plastic
- (2) Base Tubing - $\phi 3 \frac{1}{2}"$ Steel Tubing
- (3) Support Angles - 2" x 2" Steel Angle
- (4) Surface Plates - 3/8" Stainless Steel Plate

Bench:

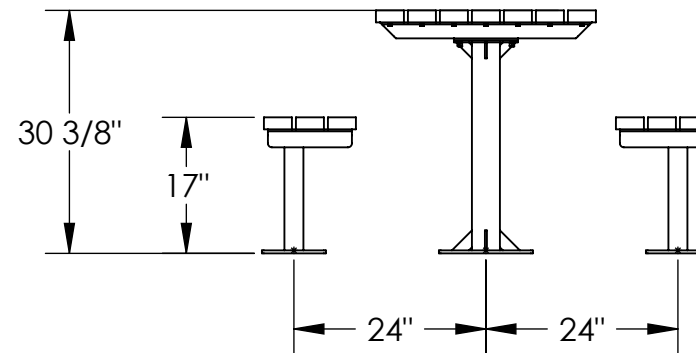
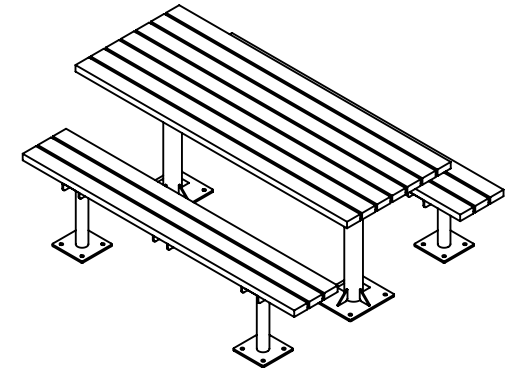
- (5) Bench Slats - 2" x 4" Nominal Recycled Plastic
- (6) Base Tubing - $\phi 2 \frac{3}{8}"$ Steel Tubing
- (7) Support Plates - 1/4" Steel Plate
- (8) Surface Plates - 3/8" Stainless Steel Plate



TOP VIEW



FRONT VIEW



RIGHT SIDE VIEW