



P.O. Box 22326
Lincoln, NE 68542

PF: 402/421-9464 | WEBSITE: www.sitescapesonline.com
FX: 402/421-9479 | E-MAIL: info@sitescapesonline.com

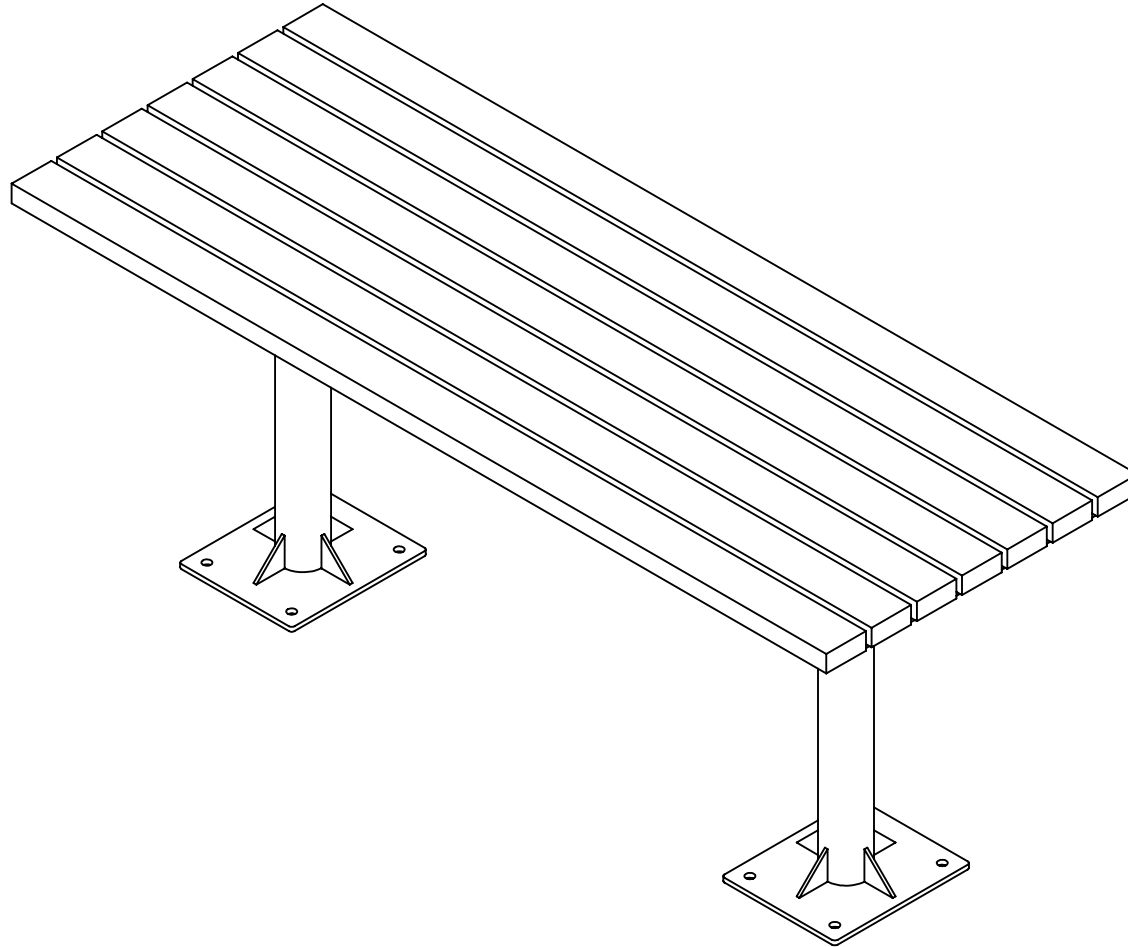
TITLE *AVONDALE
TABLE*

PRODUCT NO.
AV6-4401

INCH TOLERANCES U.O.S.
FRACTION-- $\pm 1/16"$
ANG----- $\pm 1^\circ$

THE INFORMATION CONTAINED IN THIS DRAWING IS THE SOLE PROPERTY OF SITESCAPES, INC. ANY REPRODUCTION IN PART OR AS A WHOLE WITHOUT THE WRITTEN PERMISSION OF SITESCAPES, INC. IS PROHIBITED.

*Available in powder coat and DuraCoat finishes





P.O. Box 22326
Lincoln, NE 68542

PF: 402/421-9464
FX: 402/421-9479

WEBSITE: www.sitescapesonline.com
E-MAIL: info@sitescapesonline.com

TITLE *AVONDALE
TABLE*

PRODUCT NO.
AV6-4401

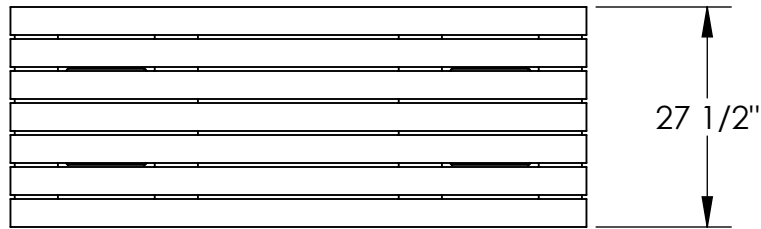
FRACTION-- $\pm 1/16"$
ANG----- $\pm 1^\circ$

THE INFORMATION CONTAINED IN THIS DRAWING IS THE SOLE PROPERTY OF SITESCAPES, INC. ANY REPRODUCTION IN PART OR AS A WHOLE WITHOUT THE WRITTEN PERMISSION OF SITESCAPES, INC. IS PROHIBITED.

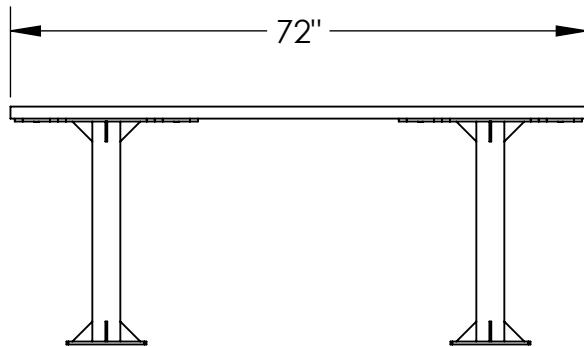
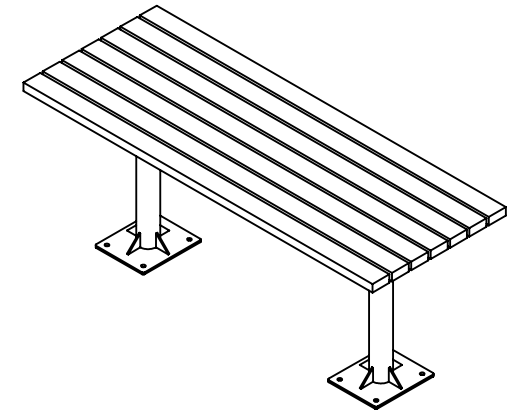
*Available in powder coat and DuraCoat finishes

MATERIALS LIST:

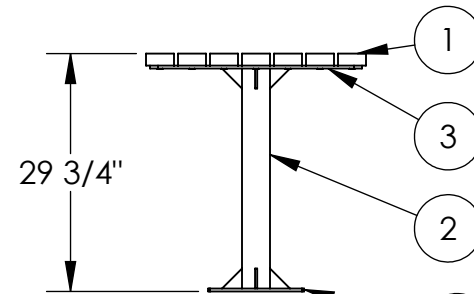
- (1) Table Top Slats - 2" x 4" Nominal Slats
- (2) Base Tubing - $\phi 3 1/2"$ Steel Tubing
- (3) Support Plates - 3/8" Steel Plate
- (4) Surface Plates - 3/8" Stainless Steel Plate
- (5) Mounted with Eight $\phi 1/2"$ x 4-5" Stainless Steel Anchor Bolts (Customer Supplied)



TOP VIEW



48" O.C.
FRONT VIEW



RIGHT SIDE VIEW