



P.O. Box 22326
Lincoln, NE 68542

PF: 402/421-9464 | WEBSITE: www.sitescapesonline.com
FX: 402/421-9479 | E-MAIL: info@sitescapesonline.com

INCH TOLERANCES U.O.S.

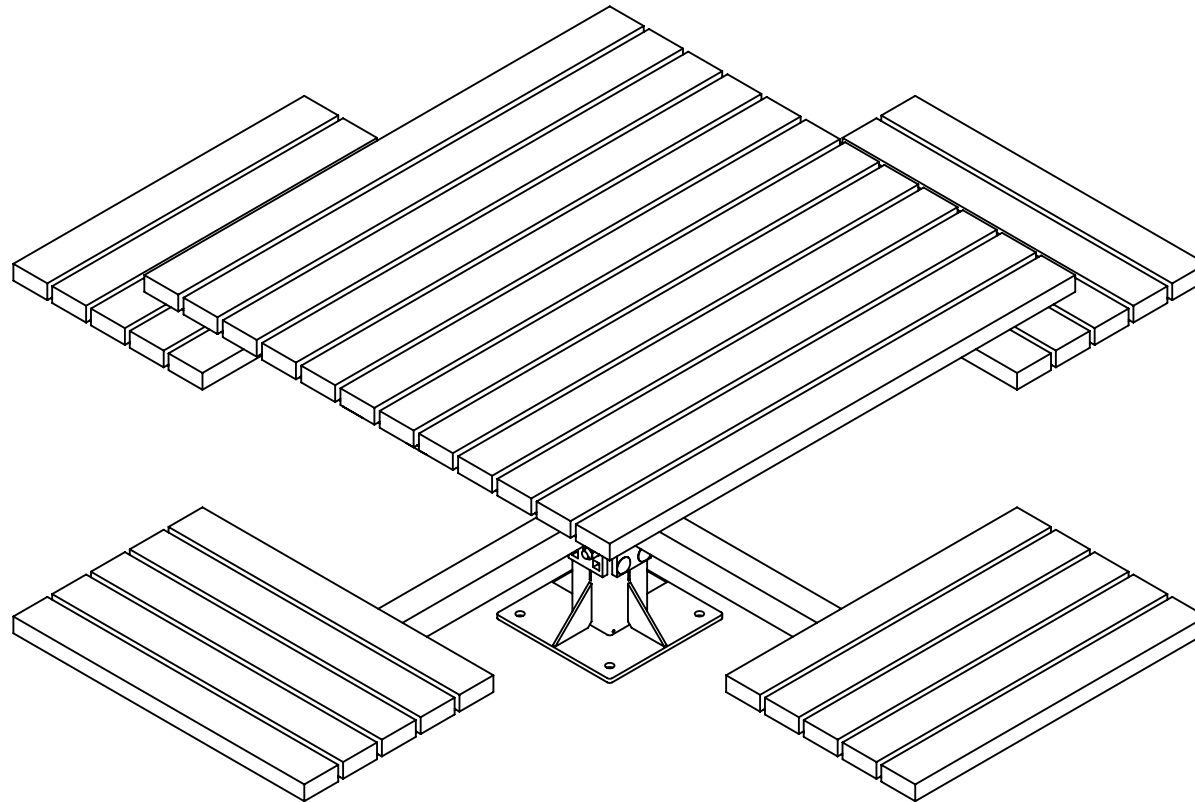
TITLE *AVONDALE
CAROUSEL TABLE*

PRODUCT NO.
AV6-3243

FRACTION-- $\pm 1/16$ "
ANG----- $\pm 1^\circ$

Property of SiteScapes, Inc 2014.
All rights reserved.

*Available in powder coat and DuraCoat finishes





P.O. Box 22326
Lincoln, NE 68542

PF: 402/421-9464 | WEBSITE: www.sitescapesonline.com
 FX: 402/421-9479 | E-MAIL: info@sitescapesonline.com

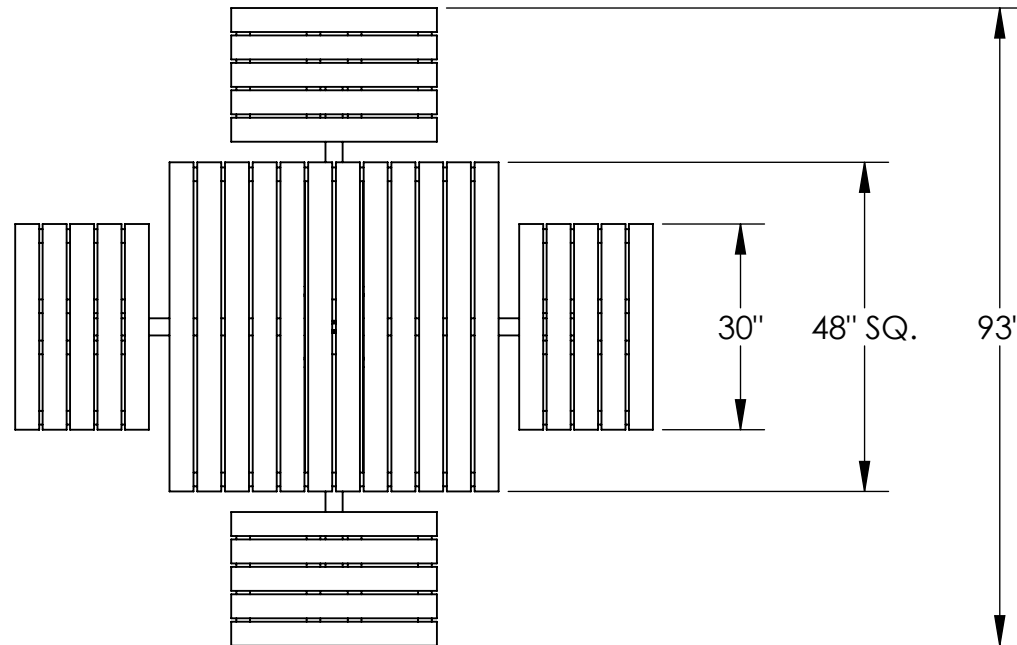
TITLE *AVONDALE
CAROUSEL TABLE*

PRODUCT NO.
AV6-3243

INCH TOLERANCES U.O.S.
 FRACTION-- $\pm 1/16"$
 ANG----- $\pm 1^\circ$

THE INFORMATION CONTAINED IN THIS DRAWING IS THE SOLE PROPERTY OF SITESCAPES, INC. ANY REPRODUCTION IN PART OR AS A WHOLE WITHOUT THE WRITTEN PERMISSION OF SITESCAPES, INC. IS PROHIBITED.

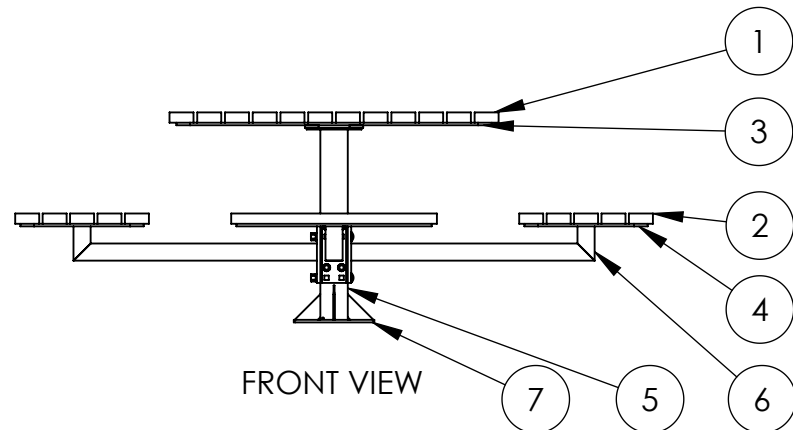
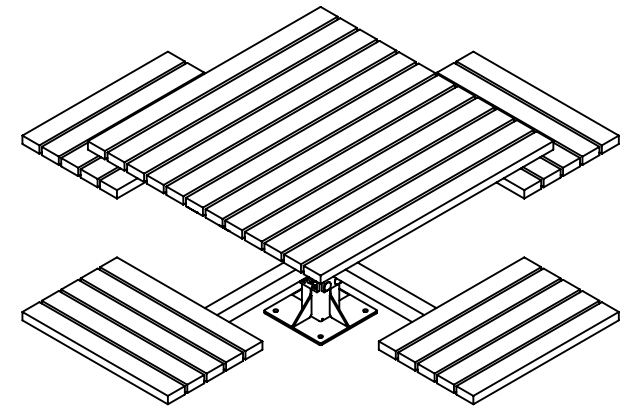
*Available in powder coat and DuraCoat finishes



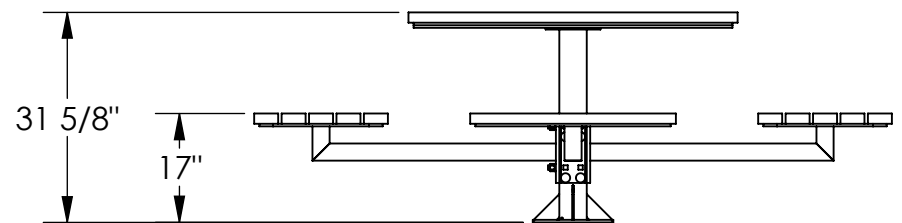
TOP VIEW

MATERIALS LIST

- (1) Table Top - 2 x 4 Nominal Ipe
- (2) Seat Slats - 2 x 4 Nominal Ipe
- (3) Slat Supports - 3/8" x 2" Steel Flat Bar
- (4) Seat Supports - 1/4" Steel Plate
- (5) Center Post - 4" Sq. x 1/8" Wall Steel Tubing
- (6) Seat Post - 2 1/2" Sq. x 1/8" Wall Steel Tubing
- (7) Base Plate - 3/8" Stainless Steel Plate with $\phi 9/16"$ Mounting Holes
- (8) Mounted with Four $\phi 1/2"$ x 4-5" Stainless Steel Anchor Bolts (Customer Supplied)



FRONT VIEW



RIGHT SIDE VIEW