



SITESCAPES

P.O. Box 22326  
Lincoln, NE 68542

PF: 402/421-9464  
FX: 402/421-9479

WEBSITE: [www.sitescapesonline.com](http://www.sitescapesonline.com)  
E-MAIL: [info@sitescapesonline.com](mailto:info@sitescapesonline.com)

TITLE

*AVONDALE  
RECEPTACLE*

PRODUCT NO.

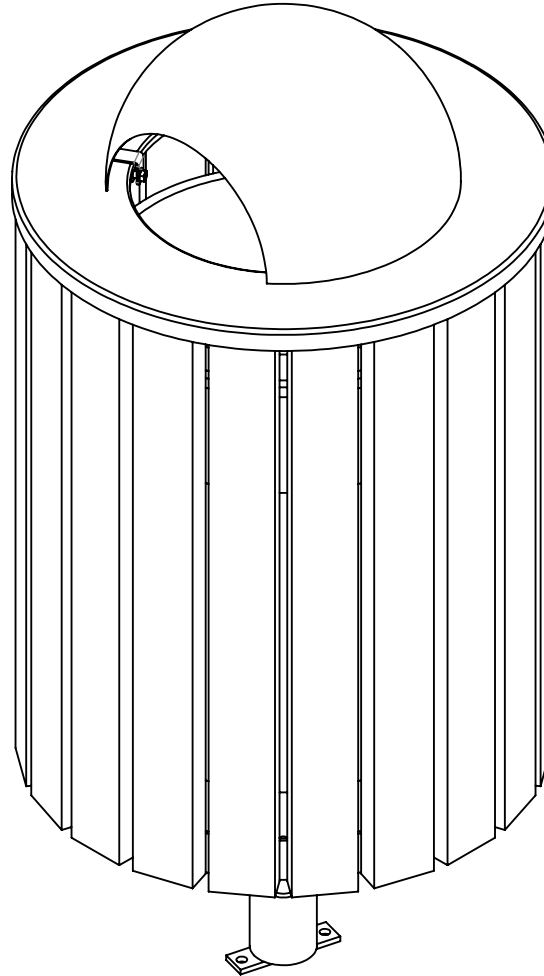
*AV2-3023N*

INCH TOLERANCES U.O.S.

FRACTION--  $\pm 1/16"$   
ANG-----  $\pm 1^\circ$

THE INFORMATION CONTAINED IN THIS DRAWING IS THE SOLE PROPERTY OF SITESCAPES, INC. ANY REPRODUCTION IN PART OR AS A WHOLE WITHOUT THE WRITTEN PERMISSION OF SITESCAPES, INC. IS PROHIBITED.

\*Available in powder coat and DuraCoat finishes





# SITESCAPES

P.O. Box 22326  
Lincoln, NE 68542

PF: 402/421-9464  
FX: 402/421-9479

WEBSITE: [www.sitescapesonline.com](http://www.sitescapesonline.com)  
E-MAIL: [info@sitescapesonline.com](mailto:info@sitescapesonline.com)

TITLE  
**AVONDALE  
RECEPTACLE**

PRODUCT NO.  
**AV2-3023N**

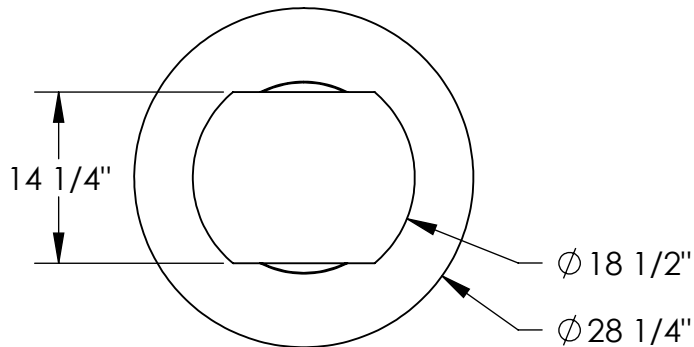
INCH TOLERANCES U.O.S.  
FRACTION--  $\pm 1/16"$   
ANG-----  $\pm 1^\circ$

THE INFORMATION CONTAINED IN THIS DRAWING IS THE SOLE PROPERTY OF SITESCAPES, INC. ANY REPRODUCTION IN PART OR AS A WHOLE WITHOUT THE WRITTEN PERMISSION OF SITESCAPES, INC. IS PROHIBITED.

\*Available in powder coat and DuraCoat finishes

### Materials List

- (1) Vertical Slats - 2" x 4" Nominal Ipe Wood
- (2) Support Ring - 7 Gauge Laser Cut Steel
- (3) Support Bars - 3/8" x 3/4" Steel Flat Bar
- (4) Embedded Tube - 3" Schedule 40 Steel Pipe
- (5) Lid -  $\phi 28 1/4"$  x .075" Wall Steel Lid w/ Dome Attached to Basket with Stainless Steel Airline Cable
- (6) 32 Gallon Rigid Plastic Liner with Handles Included



TOP VIEW

