



SITESCAPES

P.O. Box 22326
Lincoln, NE 68542

PF: 402/421-9464
FX: 402/421-9479

WEBSITE: www.sitescapesonline.com
E-MAIL: info@sitescapesonline.com

TITLE

*AVONDALE
RECEPTACLE*

PRODUCT NO.

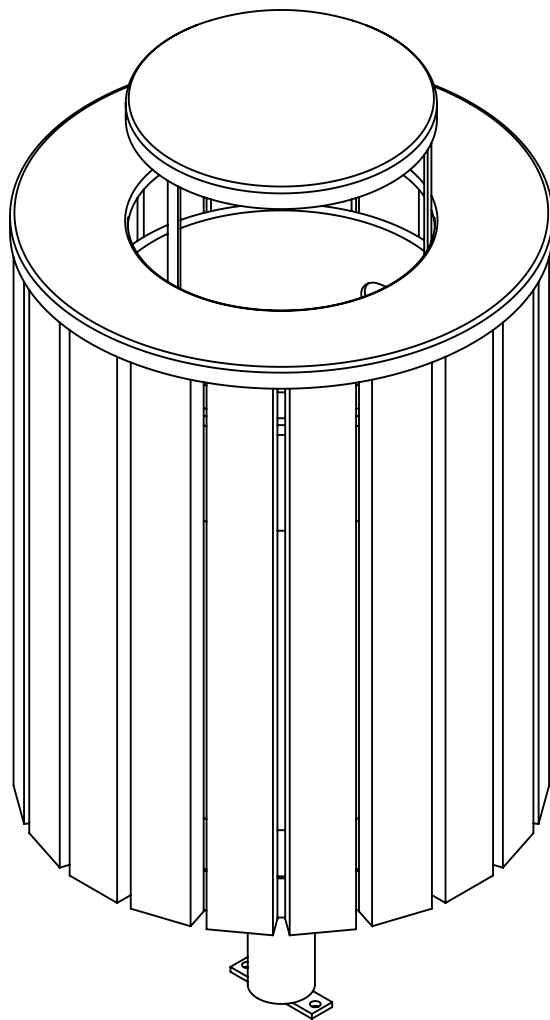
AV2-3021

INCH TOLERANCES U.O.S.

FRACTION-- $\pm 1/16"$
ANG----- $\pm 1^\circ$

THE INFORMATION CONTAINED IN THIS DRAWING IS THE SOLE PROPERTY OF SITESCAPES, INC. ANY REPRODUCTION IN PART OR AS A WHOLE WITHOUT THE WRITTEN PERMISSION OF SITESCAPES, INC. IS PROHIBITED.

*Available in powder coat and DuraCoat finishes





SITESCAPES

P.O. Box 22326
Lincoln, NE 68542

PF: 402/421-9464

FX: 402/421-9479

WEBSITE: www.sitescapesonline.com

E-MAIL: info@sitescapesonline.com

TITLE
**AVONDALE
RECEPTACLE**

PRODUCT NO.
AV2-3021

FRACTION-- $\pm 1/16"$
ANG----- $\pm 1^\circ$

THE INFORMATION CONTAINED IN THIS DRAWING IS THE SOLE PROPERTY OF SITESCAPES, INC. ANY REPRODUCTION IN PART OR AS A WHOLE WITHOUT THE WRITTEN PERMISSION OF SITESCAPES, INC. IS PROHIBITED.

*Available in powder coat and DuraCoat finishes

Materials List

- (1) Vertical Slats - 2" x 4" Nominal Ipe Wood
- (2) Support Ring - 7 Gauge Laser Cut Steel Sheet
- (3) Support Bars - 3/8" x 3/4" Steel Flat Bar
- (4) Embedded Tube - 3" Schedule 40 Steel Pipe
- (5) Lid - $\phi 28"$ x .075" Wall Steel Lid w/ Dome Top
Attached to Basket with Stainless Steel Airline Cable
- (6) 36 Gallon Rigid Plastic Liner with Handles Included

