



P.O. Box 22326
Lincoln, NE 68542

PF: 402/421-9464 | WEBSITE: www.sitescapesonline.com
FX: 402/421-9479 | E-MAIL: info@sitescapesonline.com

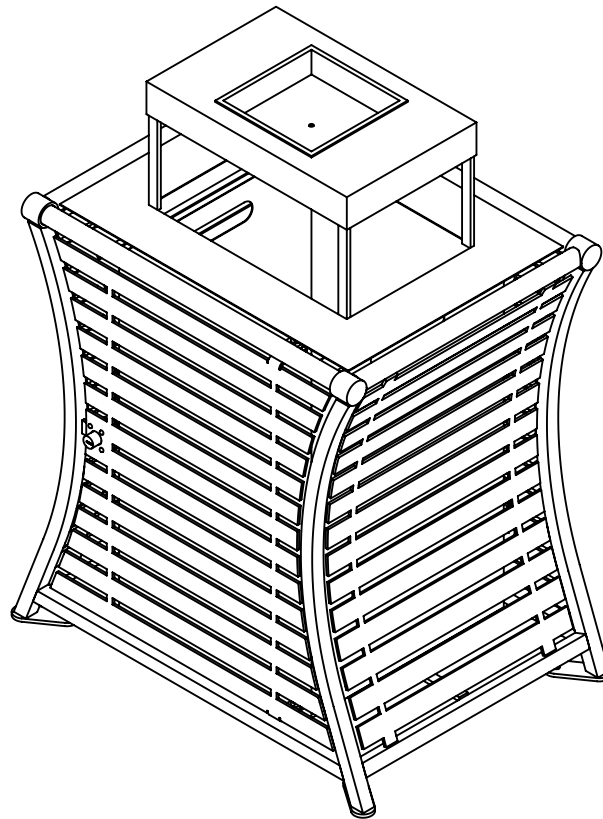
TITLE *WESTPORT
RECEPTACLE*

PRODUCT NO.
WP2-2202

INCH TOLERANCES U.O.S.
FRACTION-- $\pm 1/16"$
ANG----- $\pm 1^\circ$

THE INFORMATION CONTAINED IN THIS DRAWING IS THE SOLE PROPERTY OF SITESCAPES, INC. ANY REPRODUCTION IN PART OR AS A WHOLE WITHOUT THE WRITTEN PERMISSION OF SITESCAPES, INC. IS PROHIBITED.

*Available in powder coat and DuraCoat finishes





P.O. Box 22326
Lincoln, NE 68542

PF: 402/421-9464 | WEBSITE: www.sitescapesonline.com
FX: 402/421-9479 | E-MAIL: info@sitescapesonline.com

TITLE *WESTPORT
RECEPTACLE*

PRODUCT NO.
WP2-2202

INCH TOLERANCES U.O.S.
FRACTION-- $\pm 1/16"$
ANG----- $\pm 1^\circ$

THE INFORMATION CONTAINED IN THIS DRAWING IS THE SOLE PROPERTY OF SITESCAPES, INC. ANY REPRODUCTION IN PART OR AS A WHOLE WITHOUT THE WRITTEN PERMISSION OF SITESCAPES, INC. IS PROHIBITED.

*Available in powder coat and DuraCoat finishes

Materials List

- (1) Panels - 7 Gauge Steel Plate
- (2) Top Support Bars - $\phi 1.315"$ x $.133"$ Wall Steel Tubing
- (3) Side Support Bars - 1" Sq. Steel Bar
- (4) Bottom Support Bars - $3/4"$ x $5/16"$ Steel Flat Bar
- (5) Lid - 16 Gauge Steel Plate
- (6) Ash Pan - 12 Gauge Stainless Steel Plate
- (7) Surface Mount Plates - $1/4"$ x $1 1/2"$ Stainless Steel Plate with $9/16"$ Mounting Holes
- (8) Mounted with Four $\phi 1/2"$ x 4-5" Stainless Steel Anchor Bolts (Customer Supplied)
- (9) Hinged Door with Key Lock
- (10) 36 Gallon Rigid Plastic Liner with Handles Included

