



P.O. Box 22326
Lincoln, NE 68542

PF: 402/421-9464 | WEBSITE: www.sitescapesonline.com
FX: 402/421-9479 | E-MAIL: info@sitescapesonline.com

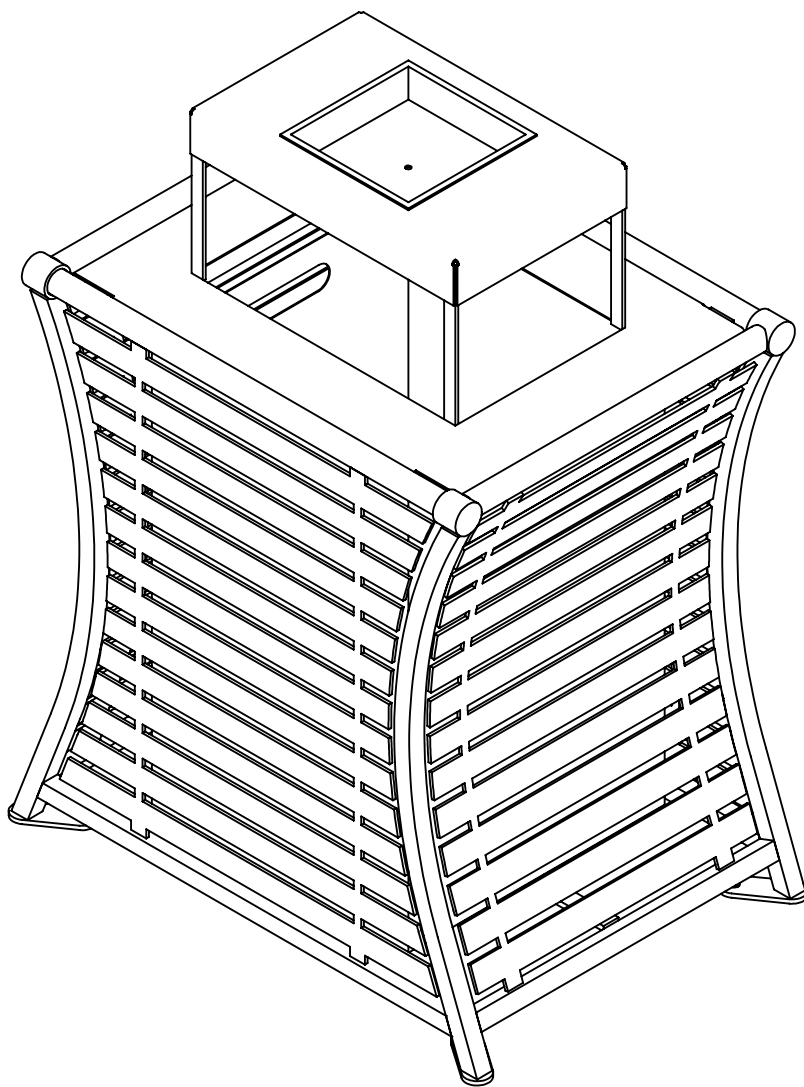
TITLE *WESTPORT
RECEPTACLE*

PRODUCT NO.
WP2-2002

INCH TOLERANCES U.O.S.
FRACTION-- $\pm 1/16"$
ANG----- $\pm 1^\circ$

THE INFORMATION CONTAINED IN THIS DRAWING IS THE SOLE PROPERTY OF SITESCAPES, INC. ANY REPRODUCTION IN PART OR AS A WHOLE WITHOUT THE WRITTEN PERMISSION OF SITESCAPES, INC. IS PROHIBITED.

*Available in powder coat and DuraCoat finishes





P.O. Box 22326
Lincoln, NE 68542

PF: 402/421-9464 | WEBSITE: www.sitescapesonline.com
FX: 402/421-9479 | E-MAIL: info@sitescapesonline.com

TITLE *WESTPORT
RECEPTACLE*

PRODUCT NO.
WP2-2002

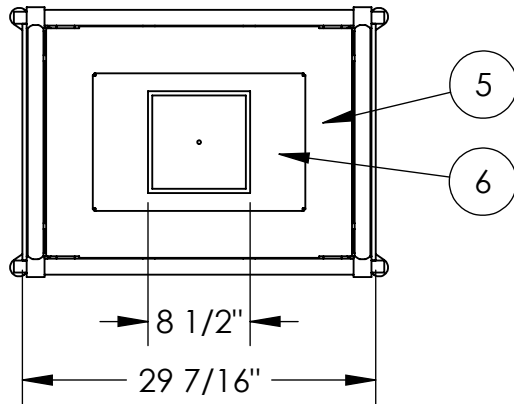
INCH TOLERANCES U.O.S.
FRACTION-- ± 1/16"
ANG----- ± 1°

THE INFORMATION CONTAINED IN THIS DRAWING IS THE SOLE PROPERTY OF SITESCAPES, INC. ANY REPRODUCTION IN PART OR AS A WHOLE WITHOUT THE WRITTEN PERMISSION OF SITESCAPES, INC. IS PROHIBITED.

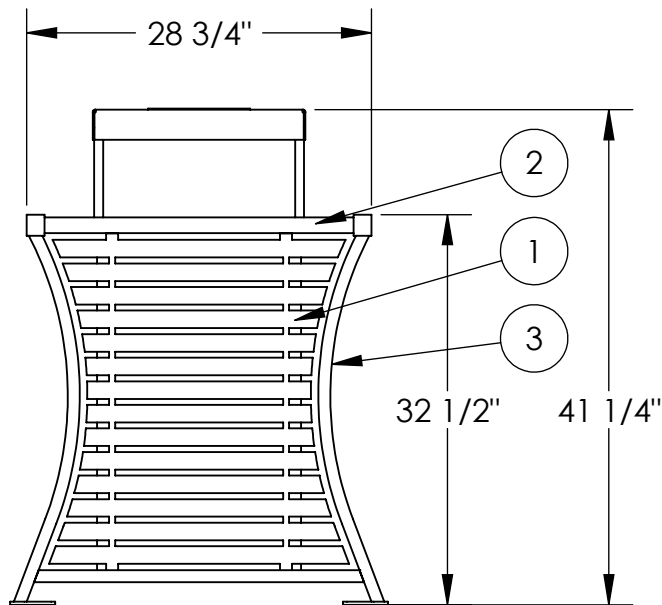
*Available in powder coat and DuraCoat finishes

MATERIALS LIST

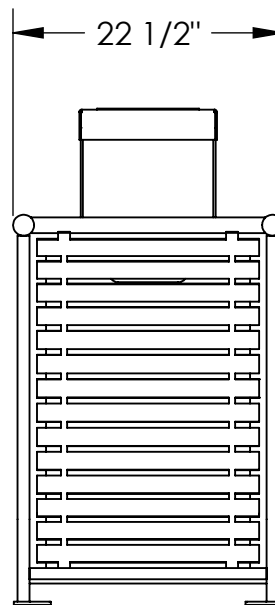
- (1) Panels - 7 Gauge Steel Plate
- (2) Top Support Bars - ϕ 1.315" x .133" Wall Steel Tubing
- (3) Side Support Bars - 1" Sq. Steel Bar
- (4) Bottom Support Bars - 3/4" x 5/16" Steel Flat Bar
- (5) Lid - 14 Gauge Steel Plate
- (6) Lid Top - 12 Gauge Steel Plate w/ Stainless Ash Pan
- (7) Surface Mount Plates - 1/4" x 1 1/2" Stainless Steel Plate with 9/16" Mounting Holes
- (8) Mounted with Four ϕ 1/2" x 4-5" Stainless Steel Anchor Bolts (Customer Supplied)
- (9) 36 Gallon Rigid Plastic Liner with Handles Included



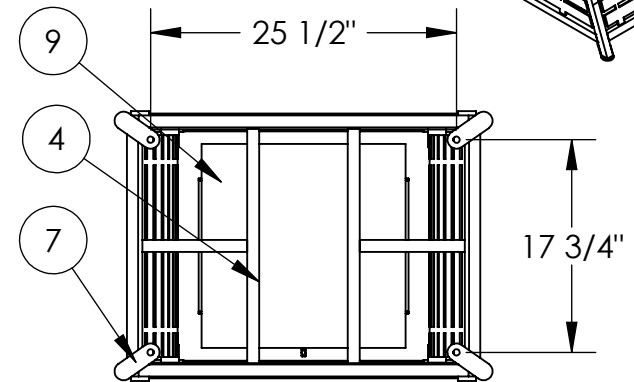
TOP VIEW



FRONT VIEW



RIGHT SIDE VIEW



BOTTOM VIEW
MOUNTING DETAIL

