



P.O. Box 22326
Lincoln, NE 68542

PF: 402/421-9464 | WEBSITE: www.sitescapesonline.com
FX: 402/421-9479 | E-MAIL: info@sitescapesonline.com

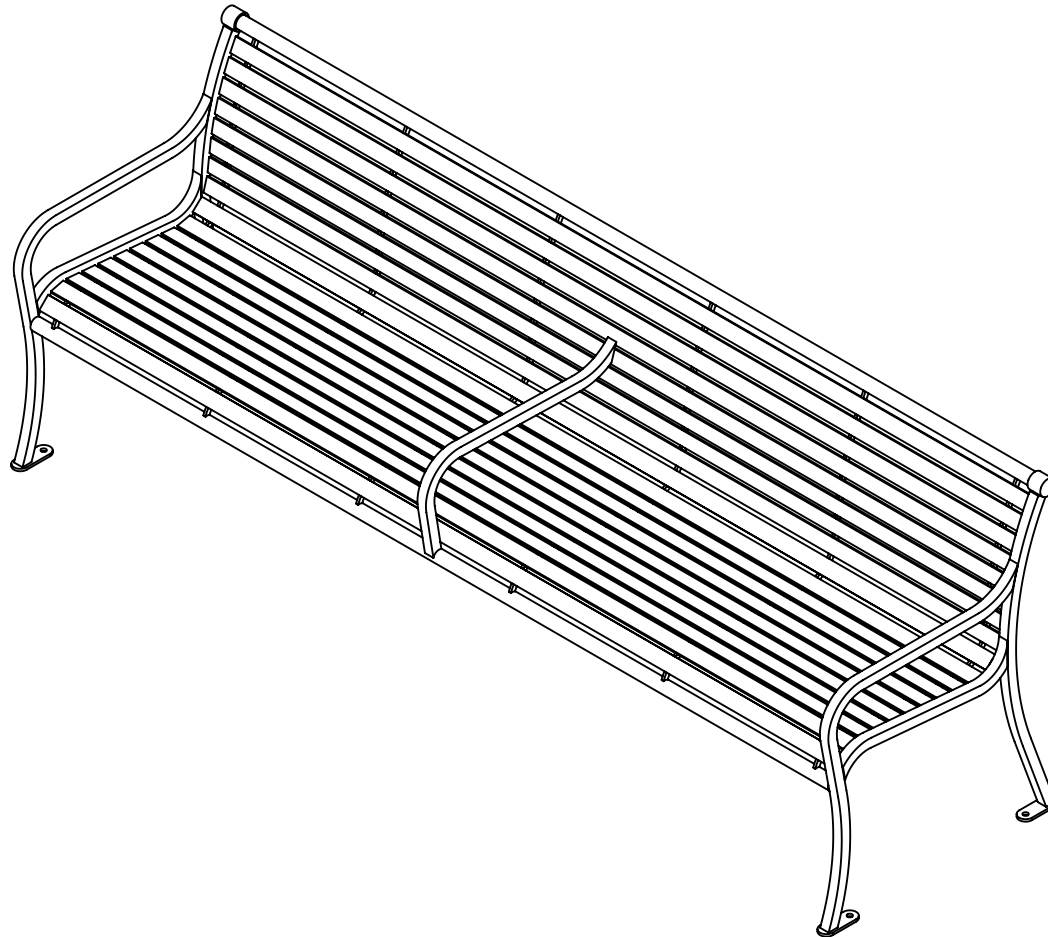
TITLE *WESTPORT
BACKED BENCH*

PRODUCT NO.
WP1-2001

INCH TOLERANCES U.O.S.
FRACTION-- $\pm 1/16"$
ANG----- $\pm 1^\circ$

THE INFORMATION CONTAINED IN THIS DRAWING IS THE SOLE PROPERTY OF SITESCAPES, INC. ANY REPRODUCTION IN PART OR AS A WHOLE WITHOUT THE WRITTEN PERMISSION OF SITESCAPES, INC. IS PROHIBITED.

*Available in powder coat and DuraCoat finishes





P.O. Box 22326
Lincoln, NE 68542

PF: 402/421-9464
FX: 402/421-9479

WEBSITE: www.sitescapesonline.com
E-MAIL: info@sitescapesonline.com

TITLE *WESTPORT
BACKED BENCH*

PRODUCT NO.
WP1-2001

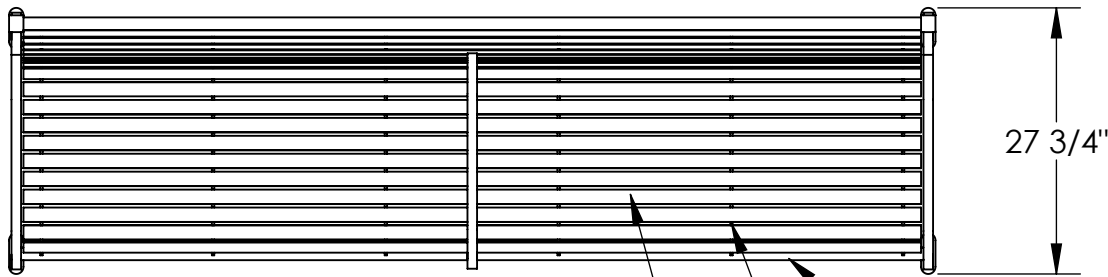
FRACTION-- $\pm 1/16"$
ANG----- $\pm 1^\circ$

THE INFORMATION CONTAINED IN THIS DRAWING IS THE SOLE PROPERTY OF SITESCAPES, INC. ANY REPRODUCTION IN PART OR AS A WHOLE WITHOUT THE WRITTEN PERMISSION OF SITESCAPES, INC. IS PROHIBITED.

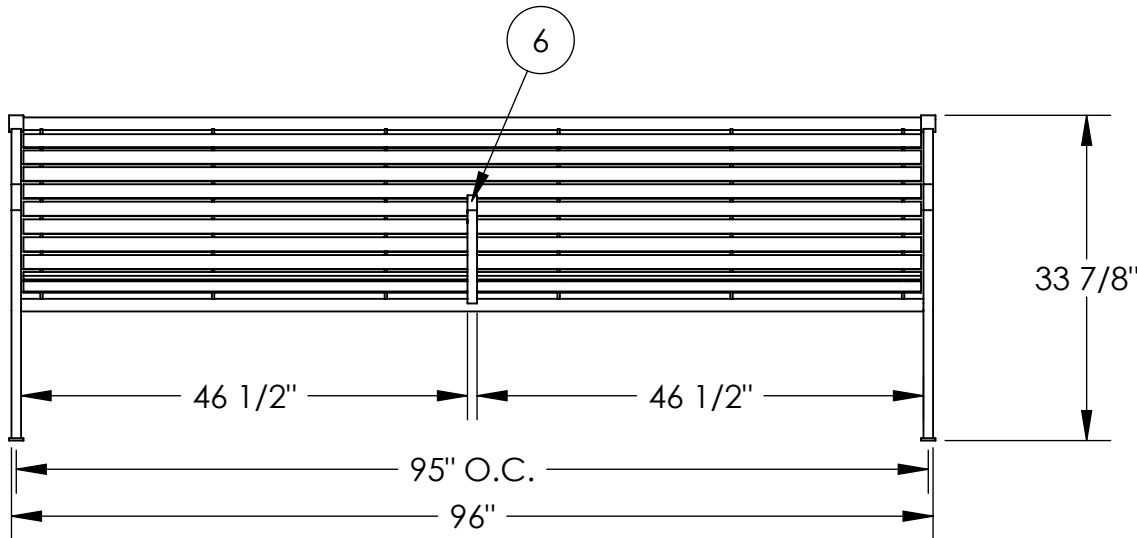
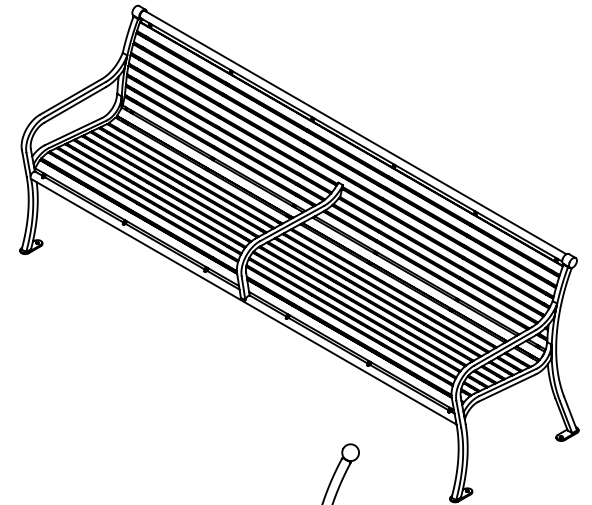
*Available in powder coat and DuraCoat finishes

Materials List

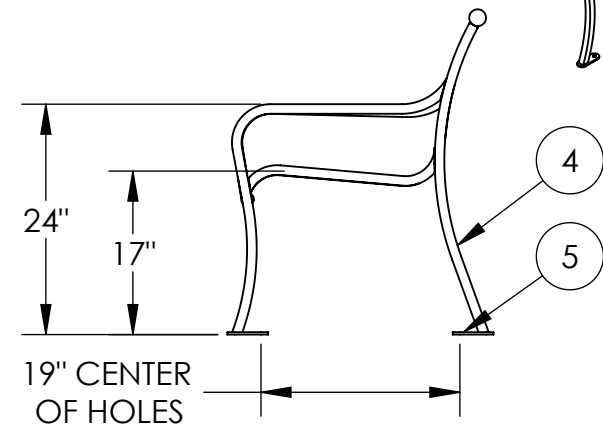
- (1) Seat Straps - 1/4" x 1 1/2" Steel Flat Bar
- (2) Support Straps - 1/4" Sheet Metal
- (3) Support Pipes - ϕ 1.315" x .133" Steel Pipe
- (4) End Units - 1" Square Solid Steel Bar
- (5) Surface Mount Plates - 1/4" x 1 1/2" Stainless Steel Plate with 9/16" Mounting Hole
- (6) Center Armrest - 1" Square Solid Steel Bar
- (7) Mounted with Four ϕ 1/2" x 4-5" Stainless Steel Anchor Bolts (Customer Supplied)



TOP VIEW



FRONT VIEW



RIGHT SIDE VIEW