



P.O. Box 22326
Lincoln, NE 68542

PF: 402/421-9464 | WEBSITE: www.sitescapesonline.com
FX: 402/421-9479 | E-MAIL: info@sitescapesonline.com

INCH TOLERANCES U.O.S.

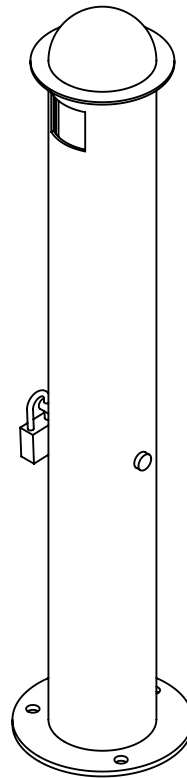
THE INFORMATION CONTAINED IN THIS DRAWING IS THE SOLE PROPERTY OF SITESCAPES, INC. ANY REPRODUCTION IN PART OR AS A WHOLE WITHOUT THE WRITTEN PERMISSION OF SITESCAPES, INC. IS PROHIBITED.

TITLE *SMOKING POST*

PRODUCT NO. *SP3-1000-SM*

FRACTION-- $\pm 1/16"$
ANG----- $\pm 1^\circ$

*Available in powder coat and DuraCoat finishes





P.O. Box 22326
Lincoln, NE 68542

PF: 402/421-9464 | WEBSITE: www.sitescapesonline.com
FX: 402/421-9479 | E-MAIL: info@sitescapesonline.com

INCH TOLERANCES U.O.S.

FRACTION-- $\pm 1/16$ "
ANG----- $\pm 1^\circ$

THE INFORMATION CONTAINED IN THIS DRAWING IS THE SOLE PROPERTY OF SITESCAPES, INC. ANY REPRODUCTION IN PART OR AS A WHOLE WITHOUT THE WRITTEN PERMISSION OF SITESCAPES, INC. IS PROHIBITED.

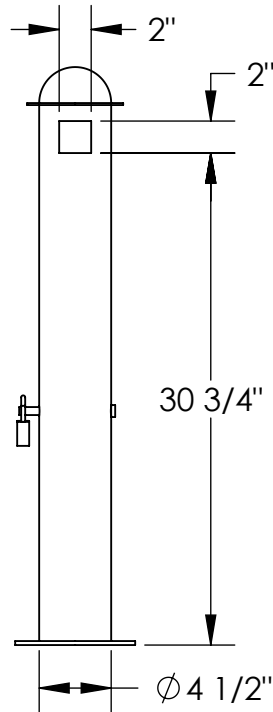
TITLE *SMOKING POST*

PRODUCT NO. *SP3-1000-SM*

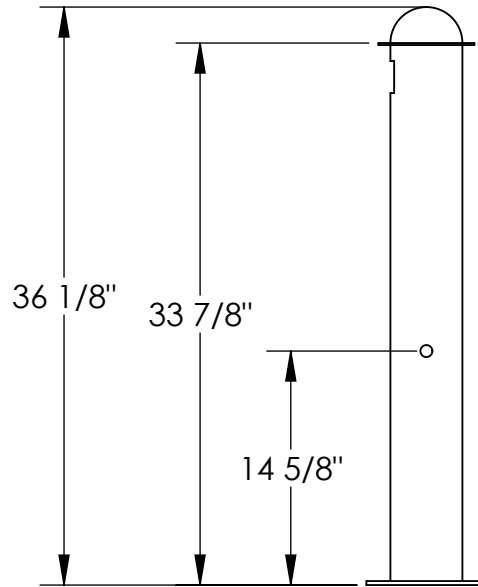
*Available in powder coat and DuraCoat finishes

MATERIALS LIST

- (1) Tubing - ϕ 4 1/2" x 1/8" Wall Steel Tubing
- (2) Surface Plate - ϕ 7 1/2" x 1/4" Thick Steel Plate with Three ϕ 9/16" Mounting Hole
- (3) Inner Tubing - ϕ 4" x 1/8" Wall Steel Tubing
- (4) Rim - ϕ 6" x 1/4" Thick Steel Plate
- (5) Cap - ϕ 4 1/2" x 1/8" Wall Steel Dome
- (6) Pin - 6" Clevis Pin
- (7) Mounted with Three ϕ 1/2" x 4-5" Stainless Steel Anchor Bolts (Customer Supplied)



FRONT VIEW



SIDE VIEW

