



P.O. Box 22326  
Lincoln, NE 68542

PF: 402/421-9464 | WEBSITE: [www.sitescapesonline.com](http://www.sitescapesonline.com)  
FX: 402/421-9479 | E-MAIL: [info@sitescapesonline.com](mailto:info@sitescapesonline.com)

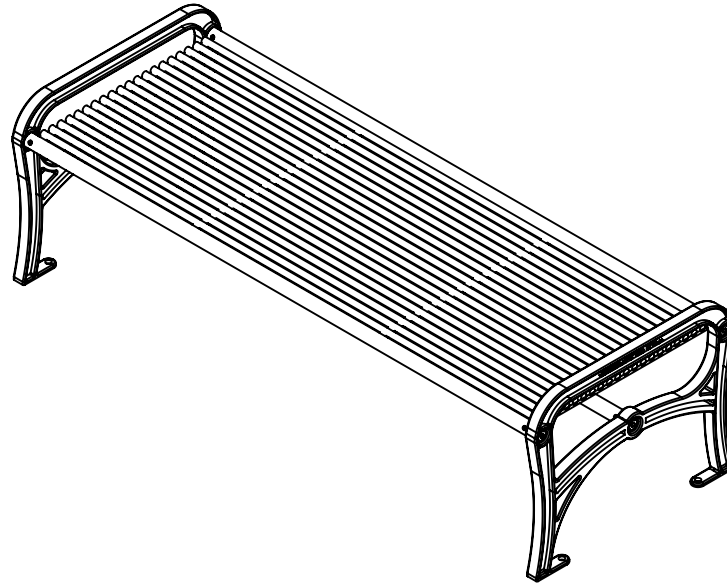
TITLE  
*MERIDIAN  
FLAT BENCH*

PRODUCT NO.  
*MR1-1110*

INCH TOLERANCES U.O.S.  
FRACTION--  $\pm 1/16"$   
ANG-----  $\pm 1^\circ$

THE INFORMATION CONTAINED IN THIS DRAWING IS THE SOLE PROPERTY OF SITESCAPES, INC. ANY REPRODUCTION IN PART OR AS A WHOLE WITHOUT THE WRITTEN PERMISSION OF SITESCAPES, INC. IS PROHIBITED.

\*Available in powder coat and DuraCoat finishes





P.O. Box 22326  
Lincoln, NE 68542

PF: 402/421-9464 | WEBSITE: [www.sitescapesonline.com](http://www.sitescapesonline.com)  
FX: 402/421-9479 | E-MAIL: [info@sitescapesonline.com](mailto:info@sitescapesonline.com)

INCH TOLERANCES U.O.S.

FRACTION--  $\pm 1/16"$   
ANG-----  $\pm 1^\circ$

THE INFORMATION CONTAINED IN THIS DRAWING IS THE SOLE PROPERTY OF SITESCAPES, INC. ANY REPRODUCTION IN PART OR AS A WHOLE WITHOUT THE WRITTEN PERMISSION OF SITESCAPES, INC. IS PROHIBITED.

TITLE *MERIDIAN  
FLAT BENCH*

PRODUCT NO.  
*MR1-1110*

\*Available in powder coat and DuraCoat finishes

Materials List

- (1) Seat Straps -  $\phi 5/8"$  Half Round Steel Bar
- (2) Seat Support Straps -  $3/8"$  Laser Cut Sheet Metal
- (3) End Units -  $1 1/4"$  Cast Iron with  $9/16"$  Mounting Holes
- (4) Support Pipes -  $\phi 1.315" \times .133"$  Steel Pipe
- (5) Mounted with Four  $\phi 5/8" \times 4-5"$  Stainless Steel Anchor Bolts (Customer Supplied)

