



SITESCAPES

P.O. Box 22326
Lincoln, NE 68542

PF: 402/421-9464
FX: 402/421-9479

WEBSITE: www.sitescapesonline.com
E-MAIL: info@sitescapesonline.com

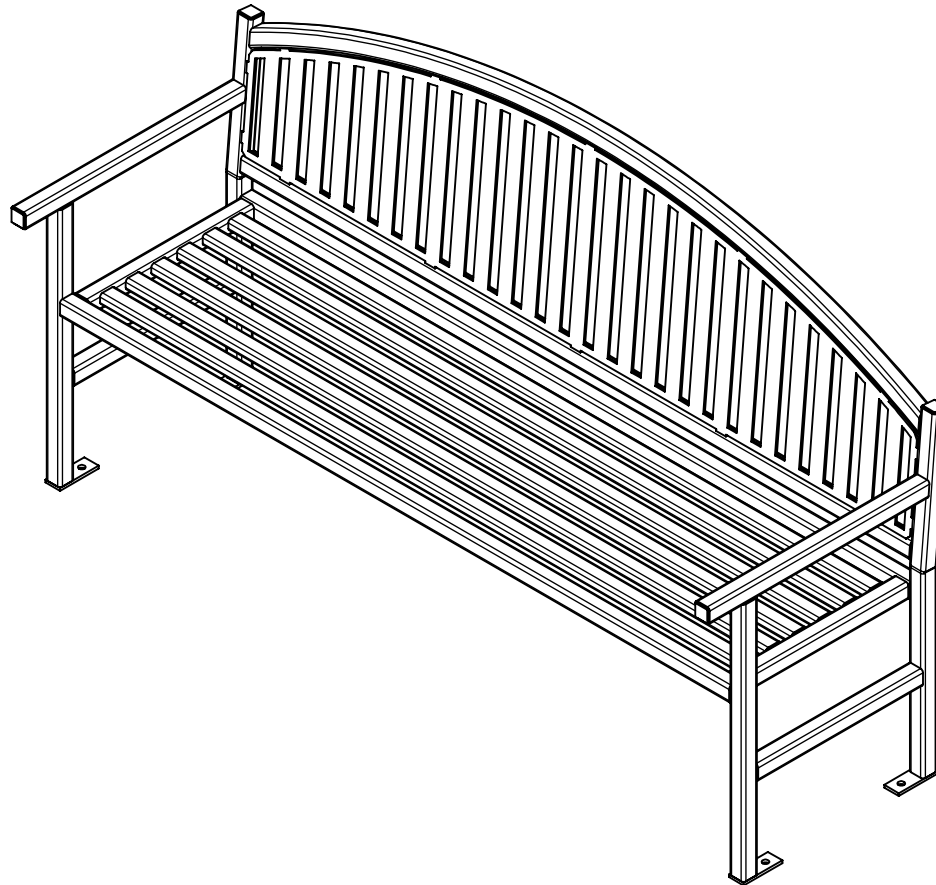
TITLE *CUSTOM
ARCH BACK BENCH*

PRODUCT NO.
FC1-1200

INCH TOLERANCES U.O.S.
FRACTION-- 1/16"
ANG----- 1

THE INFORMATION CONTAINED IN THIS DRAWING IS THE SOLE PROPERTY OF SITESCAPES, INC. ANY REPRODUCTION IN PART OR AS A WHOLE WITHOUT THE WRITTEN PERMISSION OF SITESCAPES, INC. IS PROHIBITED.

*Available in powder coat and DuraCoat finishes





SITESCAPES

P.O. Box 22326
Lincoln, NE 68542

PF: 402/421-9464
FX: 402/421-9479

WEBSITE: www.sitescapesonline.com
E-MAIL: info@sitescapesonline.com

TITLE *CUSTOM
ARCH BACK BENCH*

PRODUCT NO.
FC1-1200

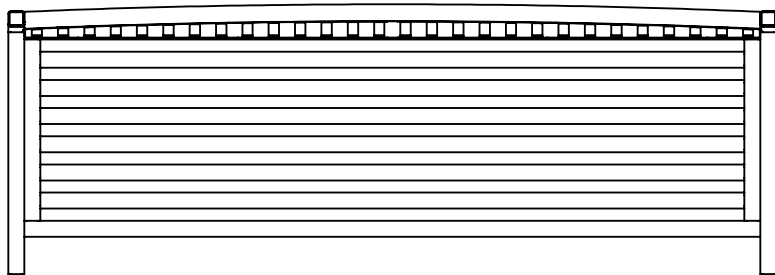
INCH TOLERANCES U.O.S.
FRACTION-- 1/16"
ANG----- 1

THE INFORMATION CONTAINED IN THIS DRAWING IS THE SOLE PROPERTY OF SITESCAPES, INC. ANY REPRODUCTION IN PART OR AS A WHOLE WITHOUT THE WRITTEN PERMISSION OF SITESCAPES, INC. IS PROHIBITED.

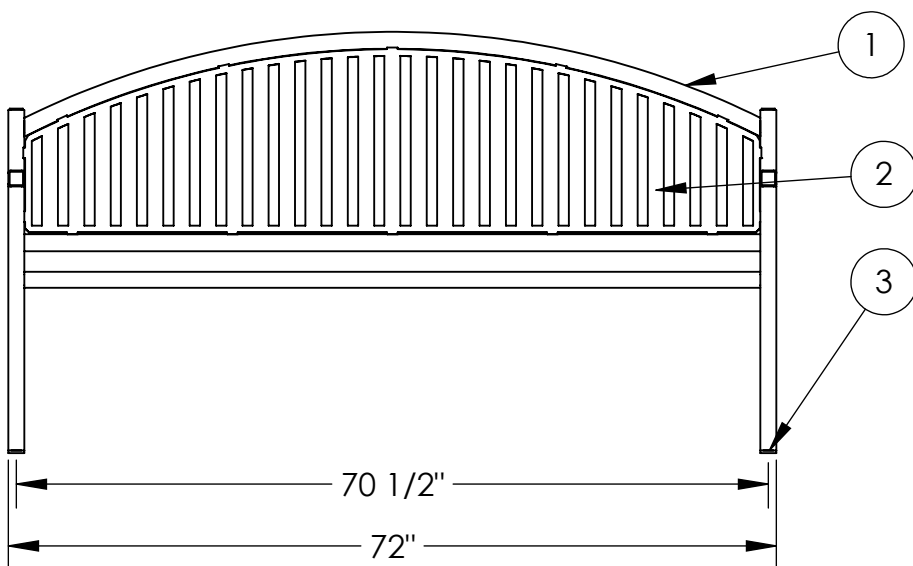
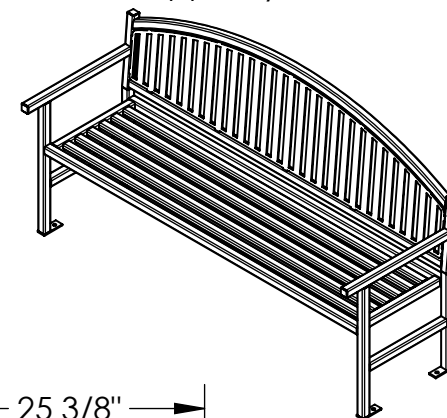
*Available in powder coat and DuraCoat finishes

MATERIALS LIST:

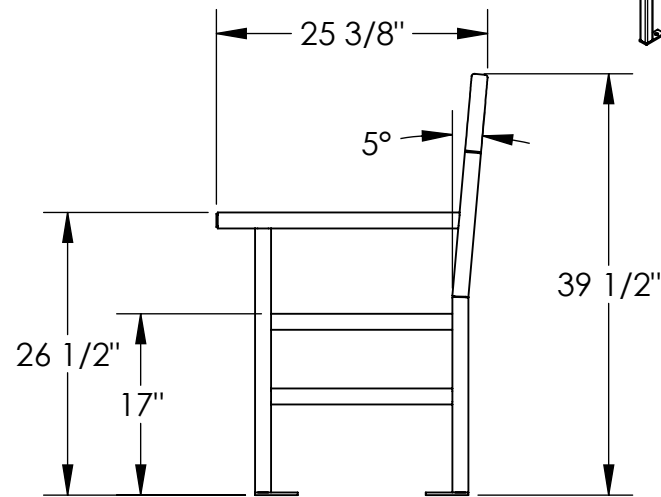
- (1) Frame - 1 1/2" Sq. x 1/8" Wall Steel Tubing
- (2) Panel - 7 Gauge Steel Plate
- (3) Foot Plates - 1/4" x 1 1/2" Stainless Steel Flat Bar with 9/16" Mounting Holes
- (4) Mounted with Four 1/2" x 4-5" Stainless Steel Anchor Bolts (Customer Supplied)



TOP VIEW



FRONT VIEW



RIGHT SIDE VIEW