



SITESCAPES

P.O. Box 22326
Lincoln, NE 68542

PF: 402/421-9464
FX: 402/421-9479

WEBSITE: www.sitescapesonline.com
E-MAIL: info@sitescapesonline.com

TITLE *CITYVIEW
TRASH RECEPTACLE*

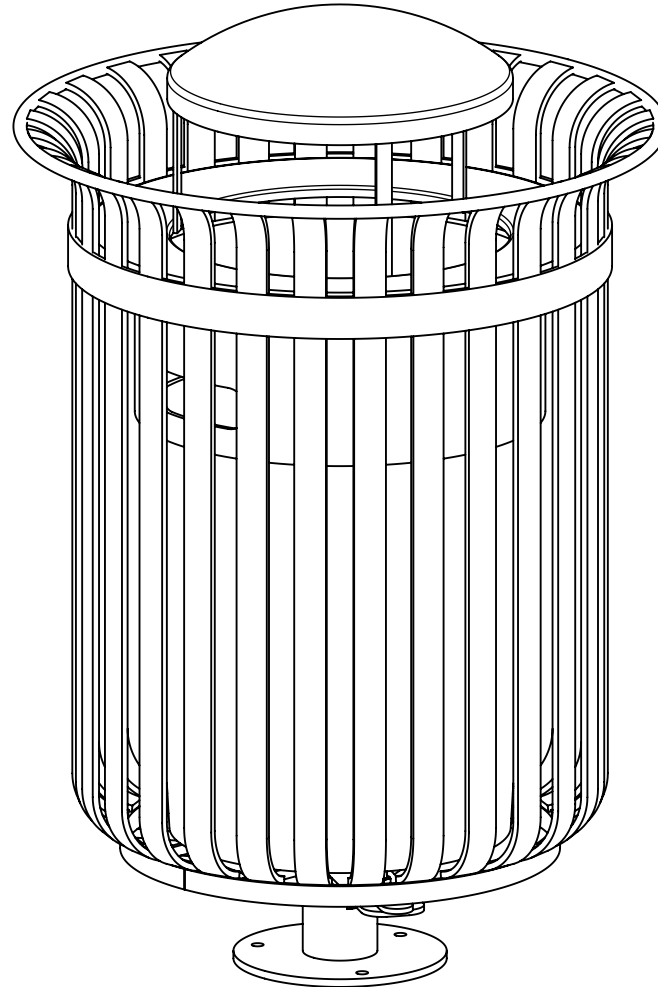
PRODUCT NO.
CV2-3011

INCH TOLERANCES U.O.S.

FRACTION-- $\pm 1/16"$
ANG----- $\pm 1^\circ$

THE INFORMATION CONTAINED IN THIS DRAWING IS THE SOLE PROPERTY OF SITESCAPES, INC. ANY REPRODUCTION IN PART OR AS A WHOLE WITHOUT THE WRITTEN PERMISSION OF SITESCAPES, INC. IS PROHIBITED.

*Available in powder coat and DuraCoat finishes





SITESCAPES

P.O. Box 22326
Lincoln, NE 68542

PF: 402/421-9464
FX: 402/421-9479

WEBSITE: www.sitescapesonline.com
E-MAIL: info@sitescapesonline.com

TITLE *CITYVIEW
TRASH RECEPTACLE*

PRODUCT NO.
CV2-3011

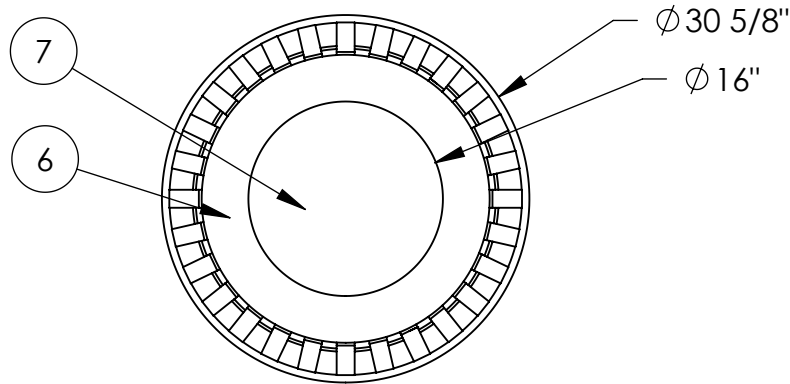
FRACTION-- $\pm 1/16"$
ANG----- $\pm 1^\circ$

THE INFORMATION CONTAINED IN THIS DRAWING IS THE SOLE PROPERTY OF SITESCAPES, INC. ANY REPRODUCTION IN PART OR AS A WHOLE WITHOUT THE WRITTEN PERMISSION OF SITESCAPES, INC. IS PROHIBITED.

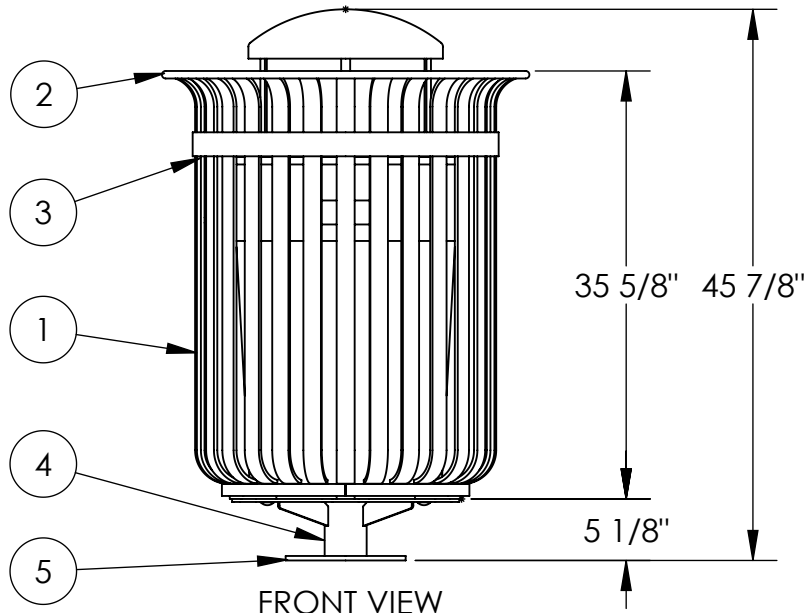
*Available in powder coat and DuraCoat finishes

Materials List

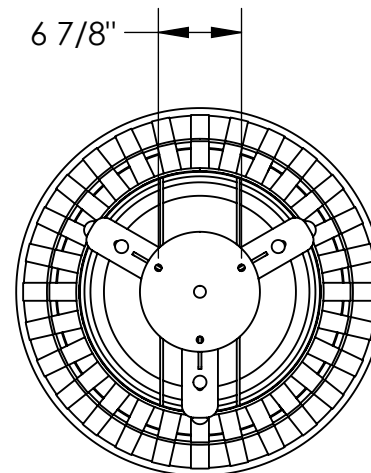
- (1) Vertical Straps - 5/16" x 1 1/2" Steel Flat Bar
- (2) Top Ring - $\phi 5/8"$ Steel Round Bar
- (3) Support Ring - 1/4" x 2" Steel Flat Bar
- (4) Mounting Post - $\phi 3 1/2"$ x .216" Wall Steel Tubing
- (5) Base Plate - $\phi 10"$ x 3/8" Stainless Steel Plate
- (6) Lid - $\phi 24"$ x .075" Wall Steel Lid
Attached to Basket with Stainless Steel Airline Cable
- (7) Dome - $\phi 16"$ x .105" Wall Steel Dome
- (8) 32 Gallon Rigid Plastic Liner with Handles Included



TOP VIEW



FRONT VIEW



BOTTOM VIEW
MOUNTING DETAIL

