



P.O. Box 22326  
Lincoln, NE 68542

PF: 402/421-9464 | WEBSITE: [www.sitescapesonline.com](http://www.sitescapesonline.com)  
FX: 402/421-9479 | E-MAIL: [info@sitescapesonline.com](mailto:info@sitescapesonline.com)

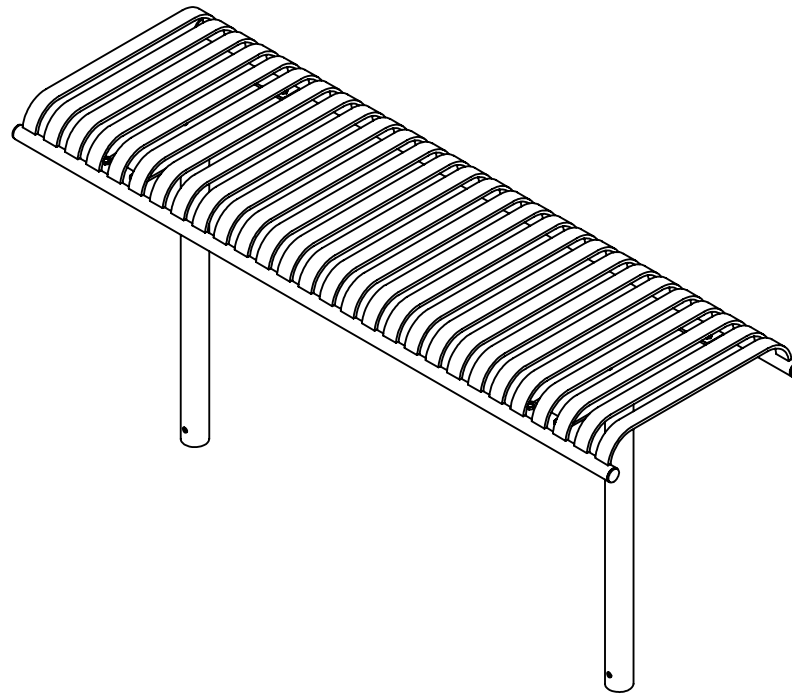
TITLE  
*CITYVIEW  
FLAT BENCH*

PRODUCT NO.  
*CV1-1130*

INCH TOLERANCES U.O.S.  
FRACTION--  $\pm 1/16"$   
ANG-----  $\pm 1^\circ$

THE INFORMATION CONTAINED IN THIS DRAWING IS THE SOLE PROPERTY OF SITESCAPES, INC. ANY REPRODUCTION IN PART OR AS A WHOLE WITHOUT THE WRITTEN PERMISSION OF SITESCAPES, INC. IS PROHIBITED.

\*Available in powder coat and DuraCoat finishes





P.O. Box 22326  
Lincoln, NE 68542

PF: 402/421-9464 | WEBSITE: [www.sitescapesonline.com](http://www.sitescapesonline.com)  
FX: 402/421-9479 | E-MAIL: [info@sitescapesonline.com](mailto:info@sitescapesonline.com)

INCH TOLERANCES U.O.S.

FRACTION--  $\pm 1/16"$   
ANG-----  $\pm 1^\circ$

THE INFORMATION CONTAINED IN THIS DRAWING IS THE SOLE PROPERTY OF SITESCAPES, INC. ANY REPRODUCTION IN PART OR AS A WHOLE WITHOUT THE WRITTEN PERMISSION OF SITESCAPES, INC. IS PROHIBITED.

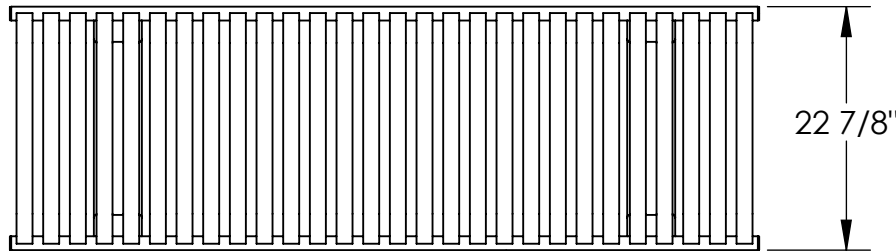
TITLE  
*CITYVIEW  
FLAT BENCH*

PRODUCT NO.  
*CV1-1130*

\*Available in powder coat and DuraCoat finishes

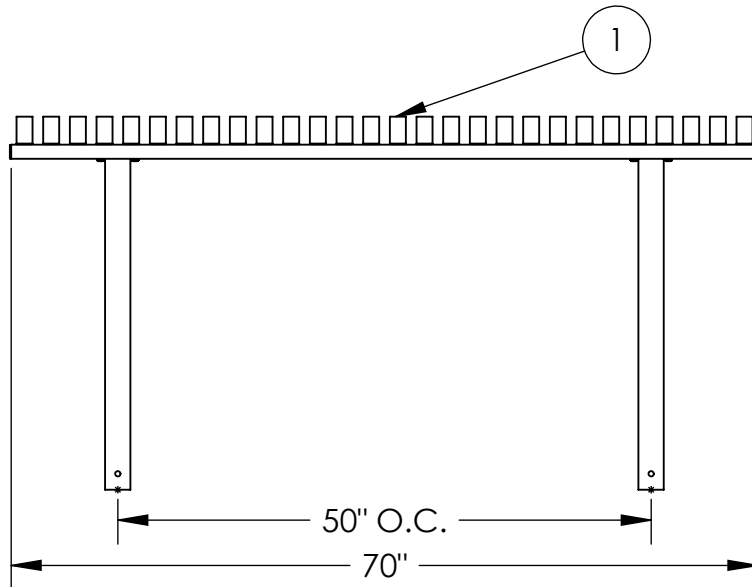
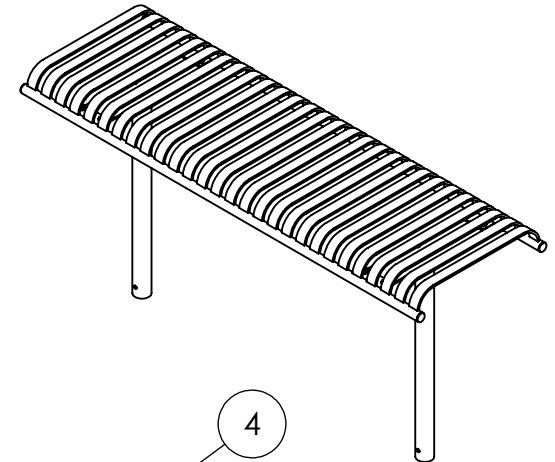
Materials List

- (1) Seat Straps - 5/16" x 1 1/2" Steel Flat Bar
- (2) Mounting Pipes -  $\phi$  2 3/8" x .154" Wall Steel Tubing
- (3) Support Pipes -  $\phi$  1.315" x .133" Steel Pipe
- (4) Support Plates - 1/4" Steel Plate

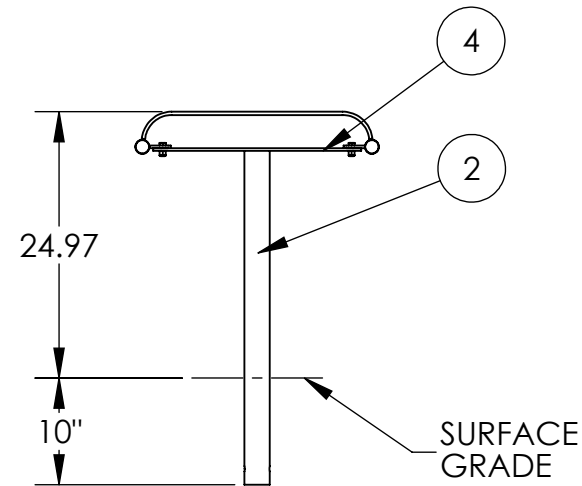


TOP VIEW

3



FRONT VIEW



RIGHT SIDE VIEW

SURFACE  
GRADE