



P.O. Box 22326
Lincoln, NE 68542

PF: 402/421-9464 | WEBSITE: www.sitescapesonline.com
FX: 402/421-9479 | E-MAIL: info@sitescapesonline.com

INCH TOLERANCES U.O.S.

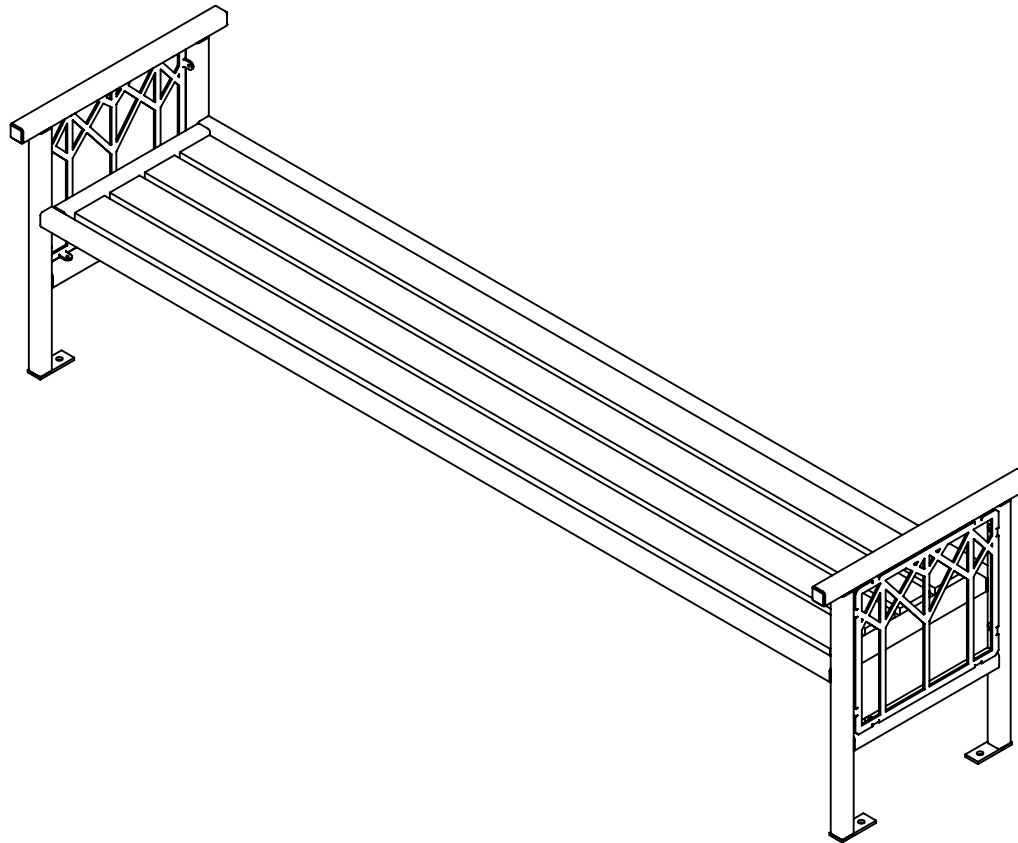
THE INFORMATION CONTAINED IN THIS DRAWING IS THE SOLE PROPERTY OF SITESCAPES, INC. ANY REPRODUCTION IN PART OR AS A WHOLE WITHOUT THE WRITTEN PERMISSION OF SITESCAPES, INC. IS PROHIBITED.

TITLE *BANNING
BACKLESS BENCH*

PRODUCT NO.
BN1-2100

FRACTION-- $\pm 1/16"$
ANG----- $\pm 1^\circ$

*Available in powder coat and DuraCoat finishes





P.O. Box 22326
Lincoln, NE 68542

PF: 402/421-9464 | WEBSITE: www.sitescapesonline.com
 FX: 402/421-9479 | E-MAIL: info@sitescapesonline.com

INCH TOLERANCES U.O.S.

FRACTION-- $\pm 1/16"$
 ANG----- $\pm 1^\circ$

THE INFORMATION CONTAINED IN THIS DRAWING IS THE SOLE PROPERTY OF SITESCAPES, INC. ANY REPRODUCTION IN PART OR AS A WHOLE WITHOUT THE WRITTEN PERMISSION OF SITESCAPES, INC. IS PROHIBITED.

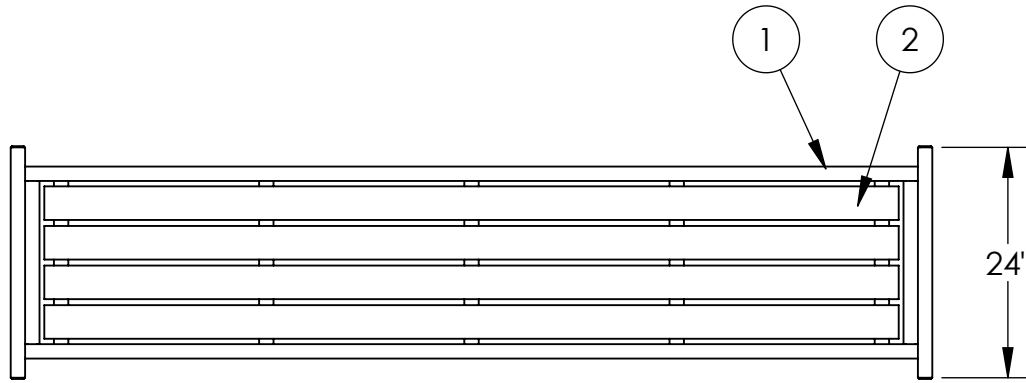
TITLE *BANNING
BACKLESS BENCH*

PRODUCT NO.
BN1-2100

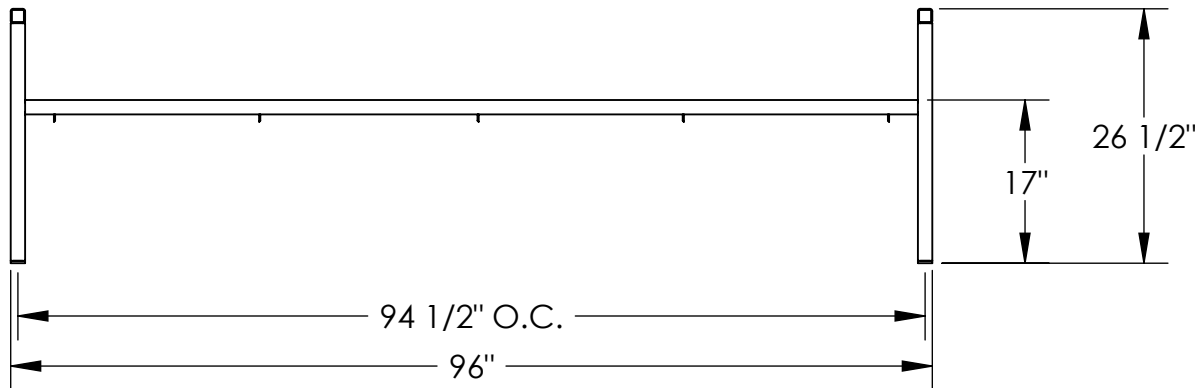
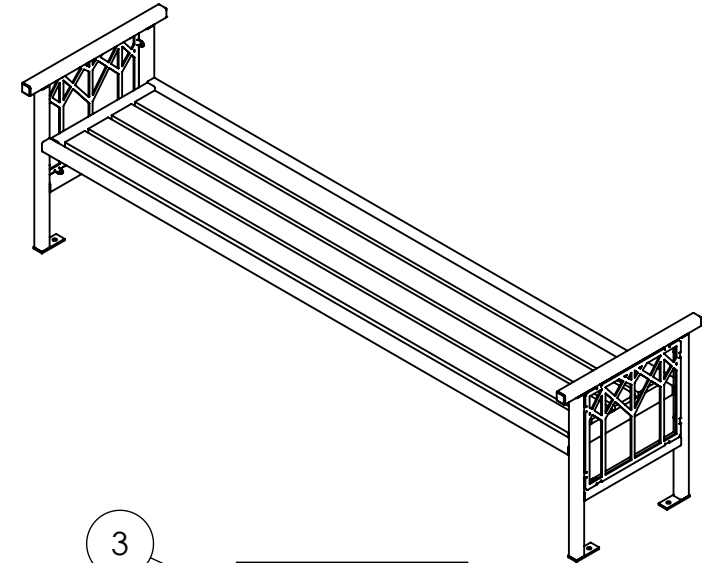
*Available in powder coat and DuraCoat finishes

MATERIALS LIST

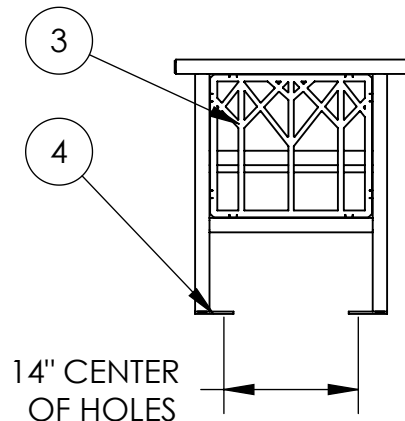
- (1) Frame - 1 1/2" Sq. x 1/8" Wall Steel Tubing
- (2) Slats - 1 x 4 Ipe Wood Slats
- (3) Panels - 7 Ga. Steel Sheet Metal
- (4) Foot Plates - 1/4" x 1 1/2" Stainless Steel Flat Bar with $\phi 9/16"$ Mounting Holes
- (5) Mounted with Four $\phi 1/2"$ x 4-5" Stainless Steel Anchor Bolts (Customer Supplied)



TOP VIEW



FRONT VIEW



14" CENTER OF HOLES

RIGHT SIDE VIEW