



P.O. Box 22326  
Lincoln, NE 68542

PF: 402/421-9464 | WEBSITE: [www.sitescapesonline.com](http://www.sitescapesonline.com)  
FX: 402/421-9479 | E-MAIL: [info@sitescapesonline.com](mailto:info@sitescapesonline.com)

TITLE  
*AVONDALE  
FLAT BENCH*

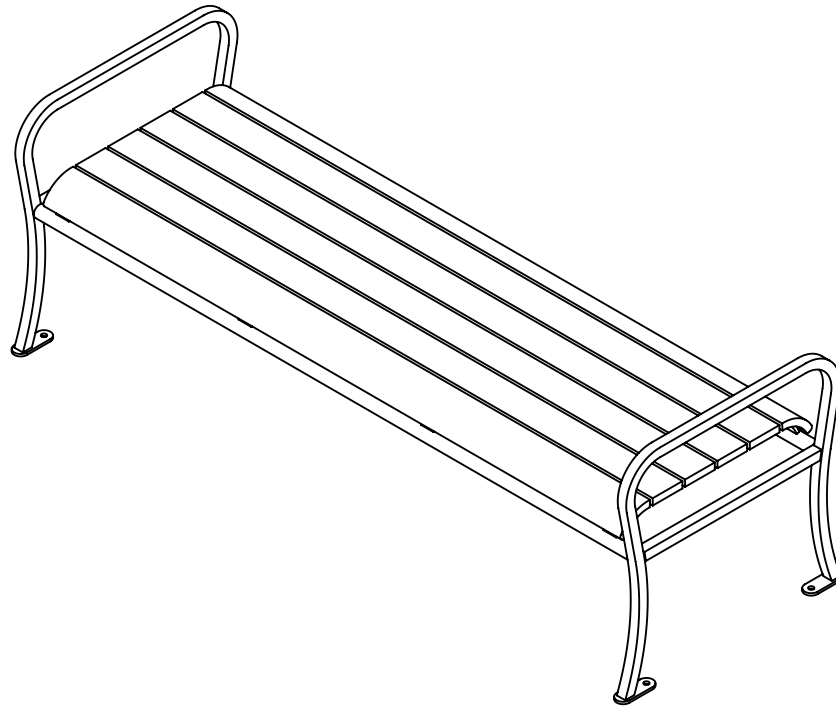
PRODUCT NO.  
*AV1-1100*

INCH TOLERANCES U.O.S.

FRACTION--  $\pm 1/16"$   
ANG-----  $\pm 1^\circ$

THE INFORMATION CONTAINED IN THIS DRAWING IS THE SOLE PROPERTY OF SITESCAPES, INC. ANY REPRODUCTION IN PART OR AS A WHOLE WITHOUT THE WRITTEN PERMISSION OF SITESCAPES, INC. IS PROHIBITED.

\*Available in powder coat and DuraCoat finishes





P.O. Box 22326  
Lincoln, NE 68542

PF: 402/421-9464  
FX: 402/421-9479

WEBSITE: [www.sitescapesonline.com](http://www.sitescapesonline.com)  
E-MAIL: [info@sitescapesonline.com](mailto:info@sitescapesonline.com)

TITLE  
*AVONDALE  
FLAT BENCH*

PRODUCT NO.  
*AV1-1100*

INCH TOLERANCES U.O.S.  
FRACTION--  $\pm 1/16"$   
ANG-----  $\pm 1^\circ$

THE INFORMATION CONTAINED IN THIS DRAWING IS THE SOLE PROPERTY OF SITESCAPES, INC. ANY REPRODUCTION IN PART OR AS A WHOLE WITHOUT THE WRITTEN PERMISSION OF SITESCAPES, INC. IS PROHIBITED.

\*Available in powder coat and DuraCoat finishes

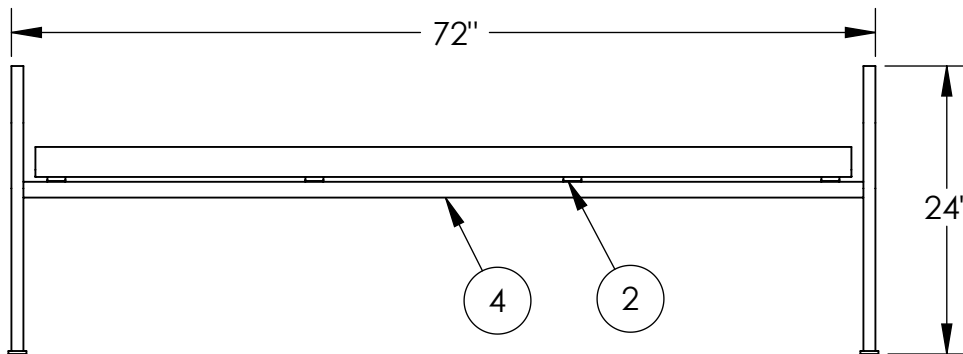
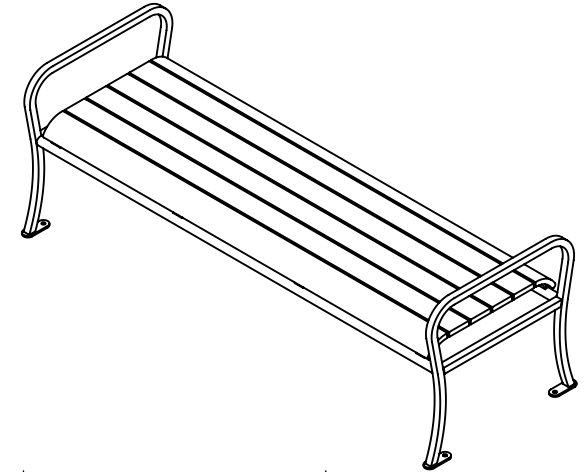
Materials List

- (1) Seat Straps - Ipe Wood Slats
- (2) Seat Supports - 5/16" x 1 1/2" Steel Flat Bar
- (3) End Units - 1" Square Solid Steel Bar
- (4) Support Pipes -  $\phi$  1.315" x .133" Steel Pipe
- (5) Surface Mount Plates - 1/4" x 1 1/2" Stainless Steel Plate with 9/16" Mounting Hole
- (6) Mounted with Four  $\phi$  1/2" x 4-5" Stainless Steel Anchor Bolts (Customer Supplied)

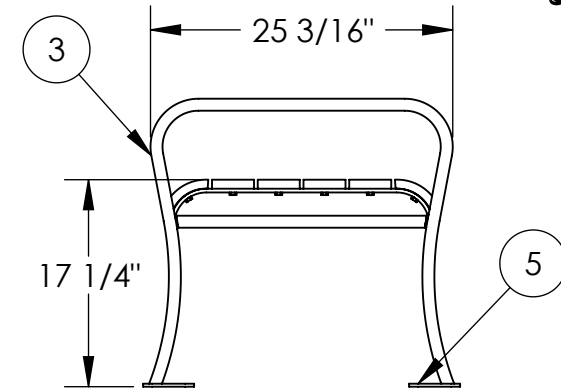


TOP VIEW

1



FRONT VIEW



RIGHT SIDE VIEW