



JordanCreek Planters





888.331.9464 402.421.9479 fax
 P.O. Box 22326 Lincoln, NE 68542
www.sitescapesonline.com
info@sitescapesonline.com

JordanCreek Laser Cut Planters

JordanCreek Planters

Planters provide color and life to otherwise inorganic settings. Twenty-two gallon liners provide potting volume suitable for a large variety of plantings.

Details

- Frame - 1 1/2" Sq. x 11 Ga. Wall Steel Tubing
- Panels - 11 Ga. Steel Sheet Metal
- Foot Plates - 1/4" x 1 1/2" Steel Flat Bar with 9/16" Mounting Holes
- Mounted w/ four 1/2" x 4-5" Stainless Steel Anchor Bolts (Customer Supplied)

Sustainability and LEED

JordanCreek planters have a recycled material content of 84% of which 73% is post consumer content. This content may vary based on the product design, product material type, and interchangeable piece parts. All styles are 100% recyclable. For more information about SiteScapes sustainable products and policies, please refer to our environmental statement.

Pictured this page

left: JordanCreek backed bench JC1-1000 (Silver) and JordanCreek laser cut planter JC4-1000 (Silver).
 right: JordanCreek laser cut planter JC4-1000 (Silver).

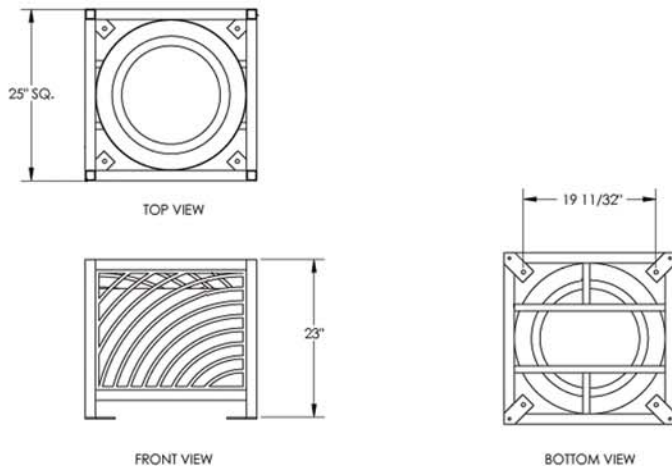
Finishes

SiteScapes offers product in both a standard powdercoat and its own proprietary Duarcoat finish. Both finishes are designed to weather the elements and are guaranteed not to rust, chip, peel, or fade. Call for a standard color chart.

www.sitescapesonline.com

For more information visit our website where you can download product drawings, photos, product brochures, CSI specs, and other technical data.

JordanCreek planter dimensions



JordanCreek Planters are currently offered in only one style. JC4-1000 to specify.



30% POST CONSUMER CONTENT