



P.O. Box 22326  
Lincoln, NE 68542

PF: 402/421-9464 | WEBSITE: [www.sitescapesonline.com](http://www.sitescapesonline.com)  
FX: 402/421-9479 | E-MAIL: [info@sitescapesonline.com](mailto:info@sitescapesonline.com)

INCH TOLERANCES U.O.S.

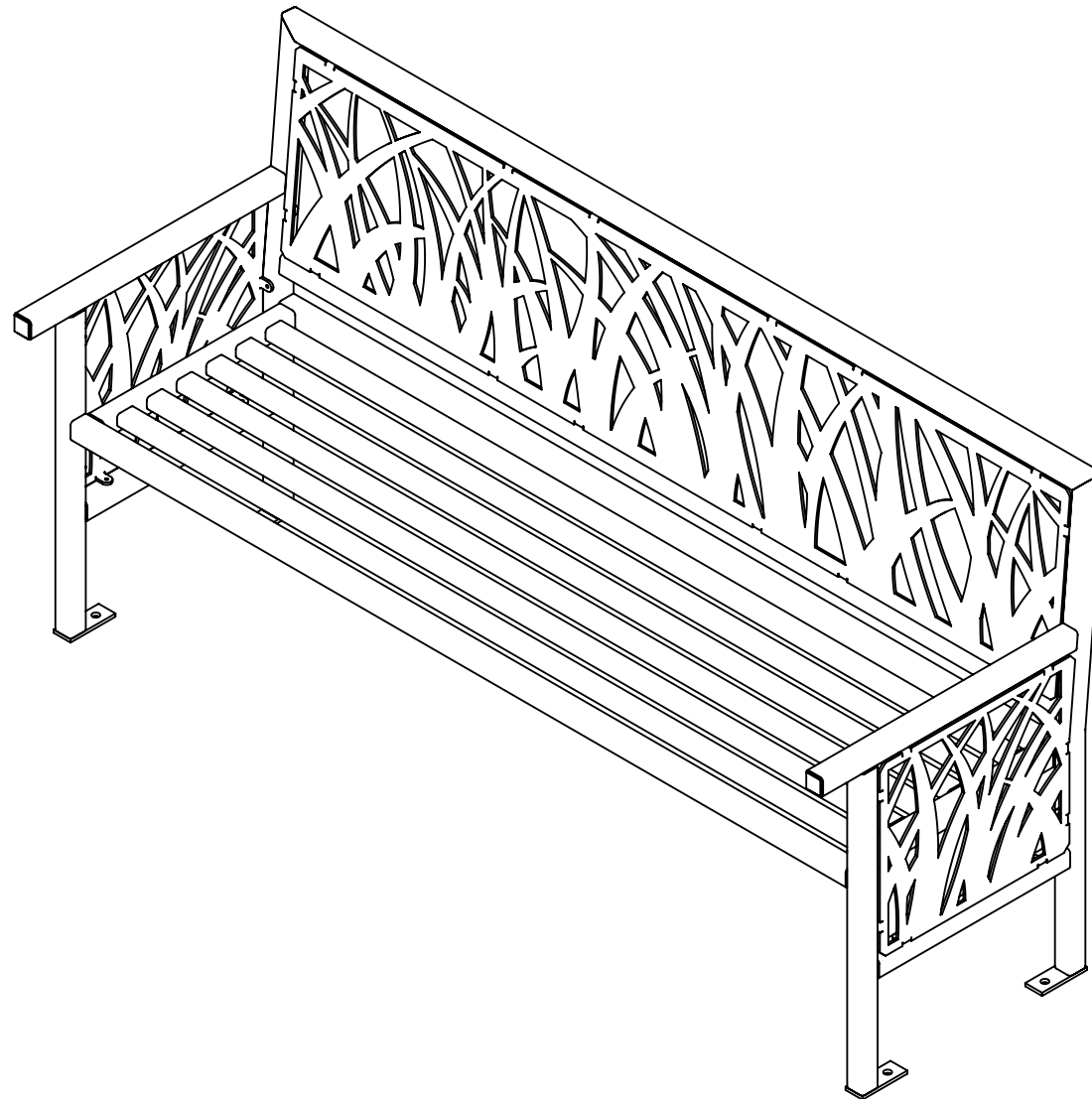
TITLE *TALLGRASS  
BACKED BENCH*

PRODUCT NO.  
*TG1-1000*

FRACTION--  $\pm 1/16"$   
ANG-----  $\pm 1^\circ$

Property of SiteScapes, Inc 2014.  
All rights reserved.

\*Available in powder coat and DuraCoat finishes





P.O. Box 22326  
Lincoln, NE 68542

PF: 402/421-9464 | WEBSITE: [www.sitescapesonline.com](http://www.sitescapesonline.com)  
FX: 402/421-9479 | E-MAIL: [info@sitescapesonline.com](mailto:info@sitescapesonline.com)

INCH TOLERANCES U.O.S.

TITLE *TALLGRASS  
BACKED BENCH*

PRODUCT NO.  
*TG1-1000*

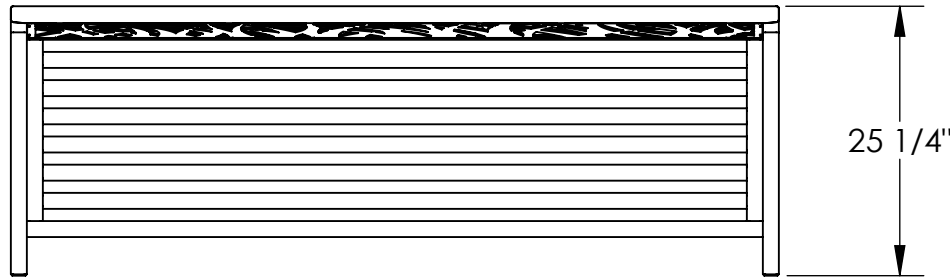
FRACTION-- $\pm 1/16$ "  
ANG----- $\pm 1^\circ$

Property of SiteScapes, Inc 2014.  
All rights reserved.

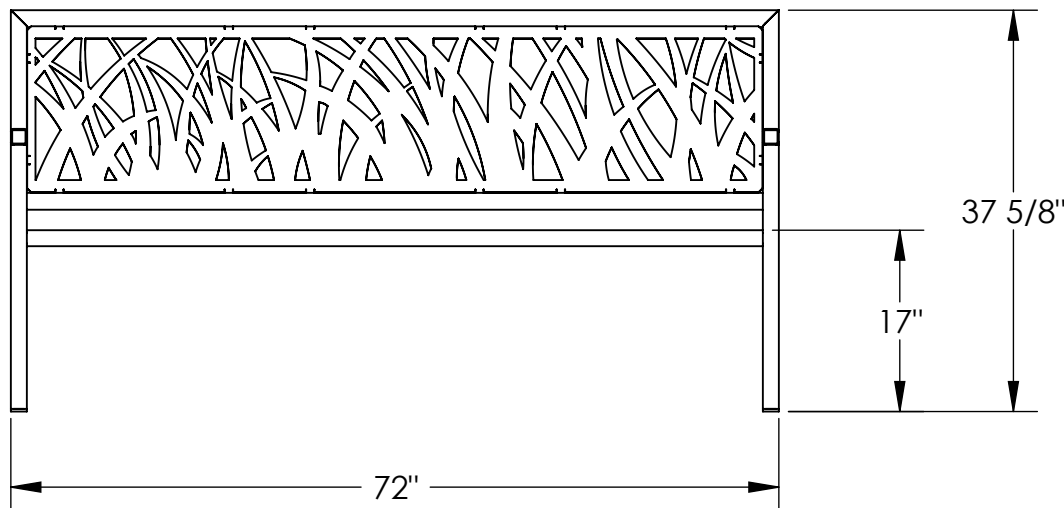
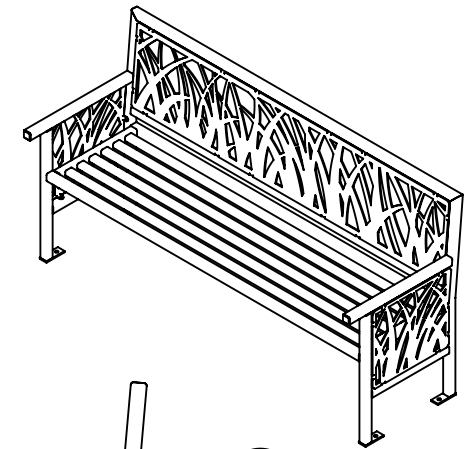
\*Available in powder coat and DuraCoat finishes

MATERIALS LIST

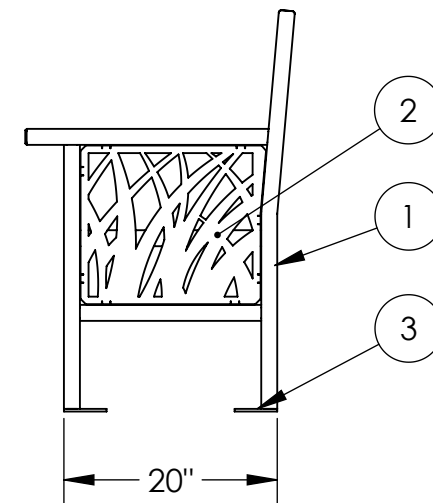
- (1) Frame - 1 1/2" Sq. x 1/8" Wall Steel Tubing
- (2) Panels - 7 Gauge Steel Sheet Metal
- (3) Foot Plates - 1/4" x 1 1/2" Stainless Steel Flat Bar with  $\phi 9/16$ " Mounting Holes
- (4) Mounted with Four  $\phi 1/2$ " x 4-5" Stainless Steel Anchor Bolts (Customer Supplied)



TOP VIEW



FRONT VIEW



RIGHT SIDE VIEW