



P.O. Box 22326  
Lincoln, NE 68542

PF: 402/421-9464 | WEBSITE: [www.sitescapesonline.com](http://www.sitescapesonline.com)  
FX: 402/421-9479 | E-MAIL: [info@sitescapesonline.com](mailto:info@sitescapesonline.com)

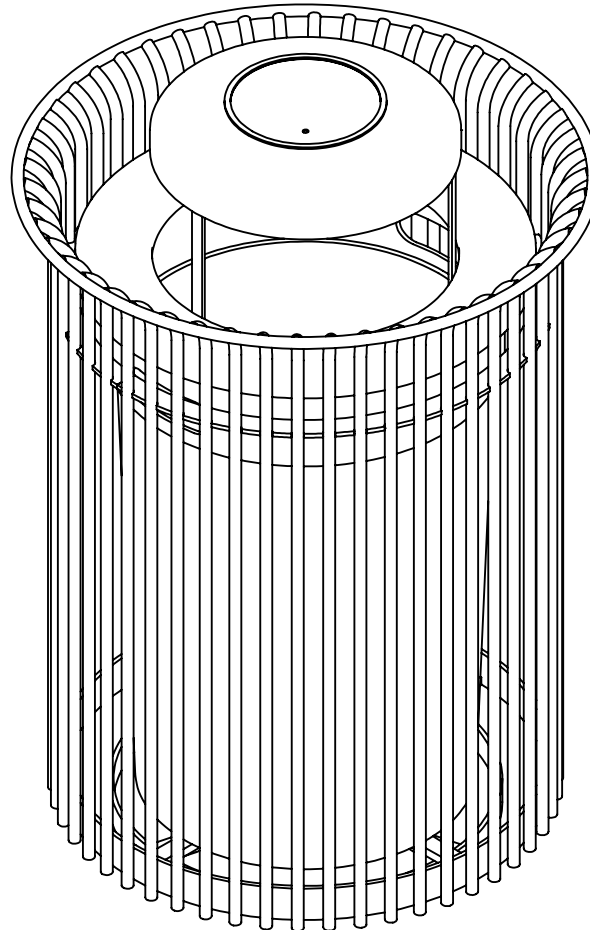
TITLE *MERIDIAN  
TRASH RECEPTACLE*

PRODUCT NO.  
*MR2-1002*

INCH TOLERANCES U.O.S.  
FRACTION--  $\pm 1/16"$   
ANG-----  $\pm 1^\circ$

THE INFORMATION CONTAINED IN THIS DRAWING IS THE SOLE PROPERTY OF SITESCAPES, INC. ANY REPRODUCTION IN PART OR AS A WHOLE WITHOUT THE WRITTEN PERMISSION OF SITESCAPES, INC. IS PROHIBITED.

\*Available in powder coat and DuraCoat finishes





P.O. Box 22326  
Lincoln, NE 68542

PF: 402/421-9464 | WEBSITE: [www.sitescapesonline.com](http://www.sitescapesonline.com)  
FX: 402/421-9479 | E-MAIL: [info@sitescapesonline.com](mailto:info@sitescapesonline.com)

INCH TOLERANCES U.O.S.

FRACTION--  $\pm 1/16"$   
ANG-----  $\pm 1^\circ$

THE INFORMATION CONTAINED IN THIS DRAWING IS THE SOLE PROPERTY OF SITESCAPES, INC. ANY REPRODUCTION IN PART OR AS A WHOLE WITHOUT THE WRITTEN PERMISSION OF SITESCAPES, INC. IS PROHIBITED.

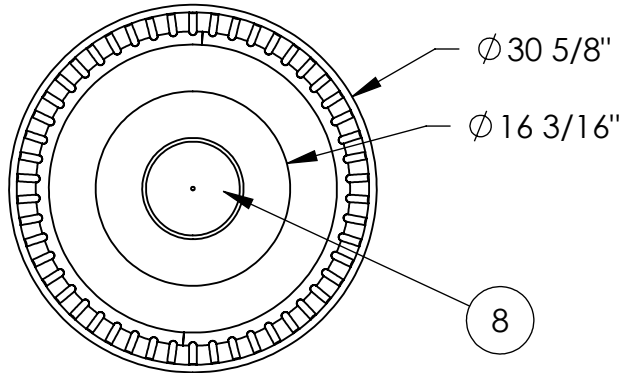
TITLE *MERIDIAN TRASH RECEPTACLE*

PRODUCT NO. *MR2-1002*

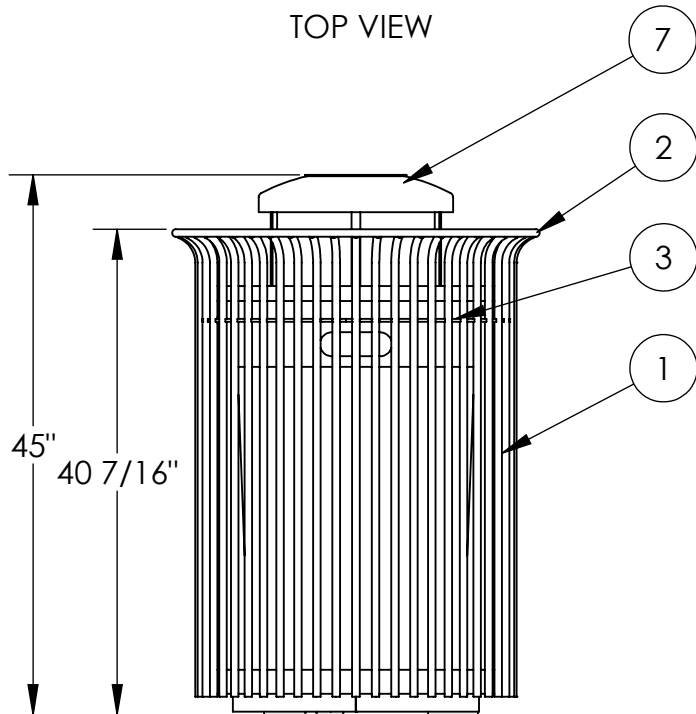
\*Available in powder coat and DuraCoat finishes

Materials List

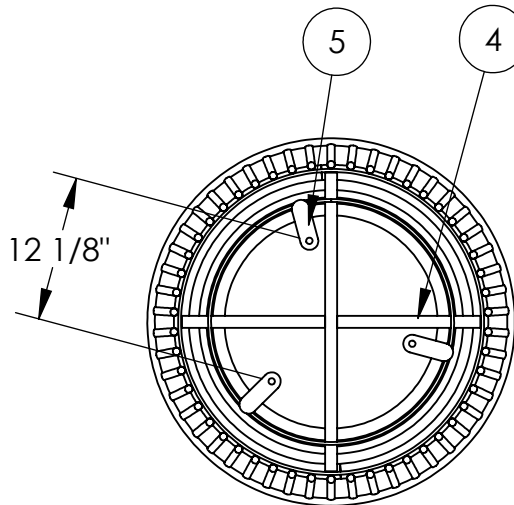
- (1) Vertical Rods -  $\phi 5/8"$  Steel Round Bar
- (2) Top Ring -  $\phi 3/4"$  Steel Round Bar
- (3) Support Ring -  $1/4"$  Laser Cut Steel Plate
- (4) Support Bars -  $1/2" \times 1"$  Steel Flat Bar
- (5) Surface Mount Plates -  $1/4" \times 1 1/2"$  Stainless Steel Plate with  $9/16"$  Mounting Hole
- (6) Lid -  $\phi 24" \times .083"$  Wall Steel Lid Attached to Basket with Stainless Steel Airline Cable
- (7) Dome -  $\phi 16" \times .105"$  Wall Steel Dome
- (8) Ash Inlay - 13 Ga. Stainless Steel Ash Inlay
- (9) Mounted with Three  $\phi 1/2" \times 4-5"$  Stainless Steel Anchor Bolts (Customer Supplied)
- (10) 40 Gallon Rigid Plastic Liner with Handles Included



TOP VIEW



FRONT VIEW



BOTTOM VIEW MOUNTING DETAIL

