



P.O. Box 22326
Lincoln, NE 68542

PF: 402/421-9464 | WEBSITE: www.sitescapesonline.com
FX: 402/421-9479 | E-MAIL: info@sitescapesonline.com

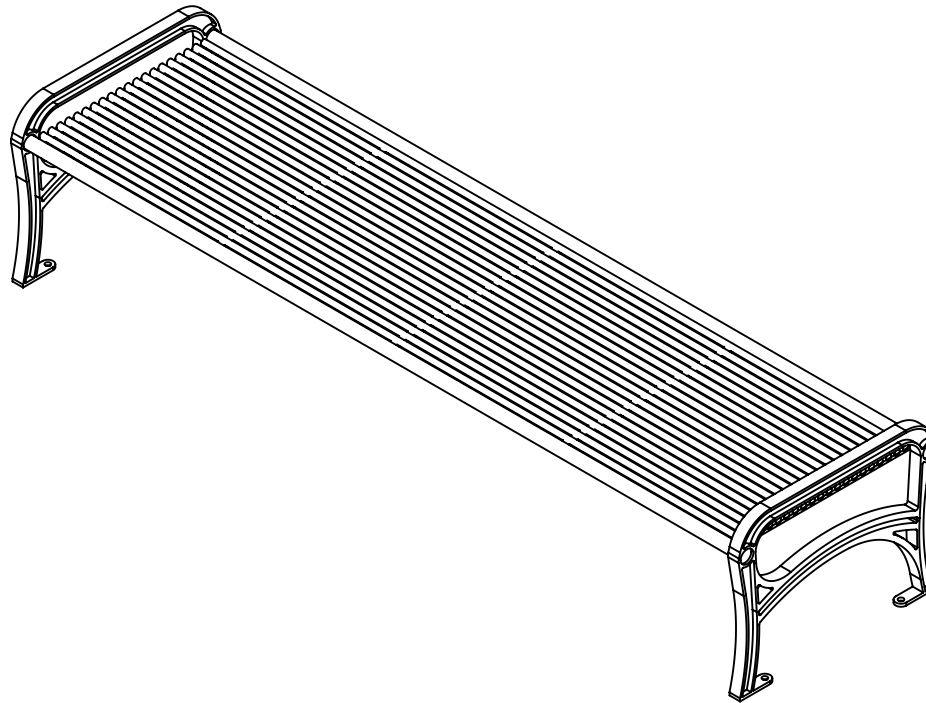
TITLE *MERIDIAN
FLAT BENCH*

PRODUCT NO.
MR1-2110

INCH TOLERANCES U.O.S.
FRACTION-- $\pm 1/16"$
ANG----- $\pm 1^\circ$

THE INFORMATION CONTAINED IN THIS DRAWING IS THE SOLE PROPERTY OF SITESCAPES, INC. ANY REPRODUCTION IN PART OR AS A WHOLE WITHOUT THE WRITTEN PERMISSION OF SITESCAPES, INC. IS PROHIBITED.

*Available in powder coat and DuraCoat finishes





P.O. Box 22326
Lincoln, NE 68542

PF: 402/421-9464 | WEBSITE: www.sitescapesonline.com
FX: 402/421-9479 | E-MAIL: info@sitescapesonline.com

INCH TOLERANCES U.O.S.

THE INFORMATION CONTAINED IN THIS DRAWING IS THE SOLE PROPERTY OF SITESCAPES, INC. ANY REPRODUCTION IN PART OR AS A WHOLE WITHOUT THE WRITTEN PERMISSION OF SITESCAPES, INC. IS PROHIBITED.

TITLE *MERIDIAN
FLAT BENCH*

PRODUCT NO.
MR1-2110

FRACTION-- $\pm 1/16"$
ANG----- $\pm 1^\circ$

*Available in powder coat and DuraCoat finishes

Materials List

- (1) Seat Straps - $\phi 5/8"$ Half Round Steel Bar
- (2) Seat Support Straps - $3/8"$ Laser Cut Sheet Metal
- (3) End Units - 1 $1/4"$ Cast Iron with $9/16"$ Mounting Holes
- (4) Support Pipes - $\phi 1.315" \times .133"$ Steel Pipe
- (5) Mounted with Four $\phi 5/8" \times 4-5"$ Stainless Steel Anchor Bolts (Customer Supplied)

