



SITESCAPES

P.O. Box 22326  
Lincoln, NE 68542

PF: 402/421-9464  
FX: 402/421-9479

WEBSITE: [www.sitescapesonline.com](http://www.sitescapesonline.com)  
E-MAIL: [info@sitescapesonline.com](mailto:info@sitescapesonline.com)

TITLE

*MERIDIAN  
FLAT BENCH*

PRODUCT NO.

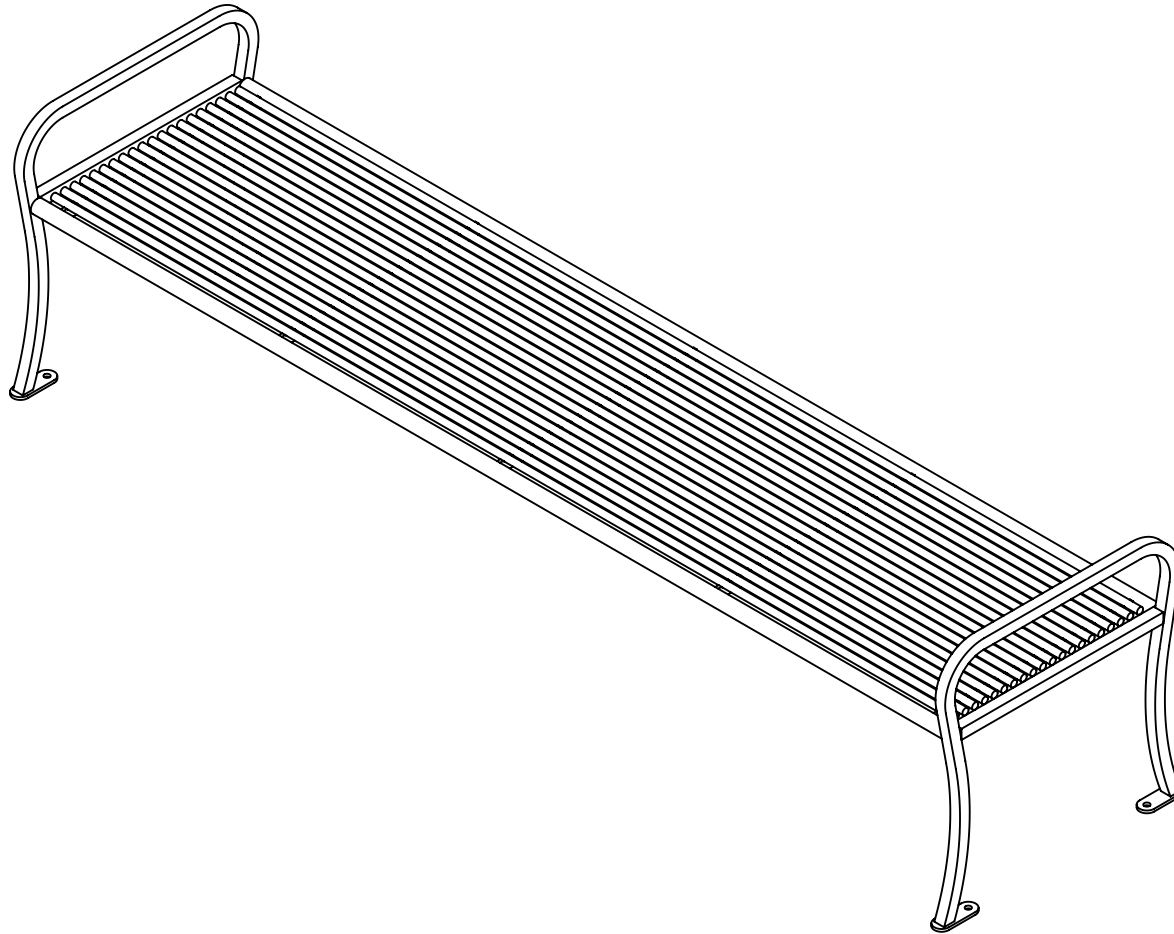
*MR1-2100*

INCH TOLERANCES U.O.S.

FRACTION--  $\pm 1/16"$   
ANG-----  $\pm 1^\circ$

THE INFORMATION CONTAINED IN THIS DRAWING IS THE SOLE PROPERTY OF SITESCAPES, INC. ANY REPRODUCTION IN PART OR AS A WHOLE WITHOUT THE WRITTEN PERMISSION OF SITESCAPES, INC. IS PROHIBITED.

\*Available in powder coat and DuraCoat finishes





# SITESCAPES

P.O. Box 22326  
Lincoln, NE 68542

PF: 402/421-9464  
FX: 402/421-9479

WEBSITE: [www.sitescapesonline.com](http://www.sitescapesonline.com)  
E-MAIL: [info@sitescapesonline.com](mailto:info@sitescapesonline.com)

TITLE  
**MERIDIAN  
FLAT BENCH**

PRODUCT NO.  
**MR1-2100**

INCH TOLERANCES U.O.S.  
FRACTION--  $\pm 1/16"$   
ANG-----  $\pm 1^\circ$

THE INFORMATION CONTAINED IN THIS DRAWING IS THE SOLE PROPERTY OF SITESCAPES, INC. ANY REPRODUCTION IN PART OR AS A WHOLE WITHOUT THE WRITTEN PERMISSION OF SITESCAPES, INC. IS PROHIBITED.

\*Available in powder coat and DuraCoat finishes

### Materials List

- (1) Seat Straps -  $\phi 5/8"$  Round Steel Bar
- (2) Seat Support Straps -  $3/8"$  Laser Cut Sheet Metal
- (3) End Units -  $1"$  Square Solid Steel Bar
- (4) Support Pipes -  $\phi 1.315" \times .133"$  Steel Pipe
- (5) Surface Mount Plates -  $1/4" \times 1 1/2"$  Stainless Steel Plate With Tapped Mounting Hole
- (6) Mounted with Four  $\phi 5/8" \times 4-5"$  Stainless Steel Anchor Bolts (Customer Supplied)

