



P.O. Box 22326
Lincoln, NE 68542

PF: 402/421-9464 | WEBSITE: www.sitescapesonline.com
FX: 402/421-9479 | E-MAIL: info@sitescapesonline.com

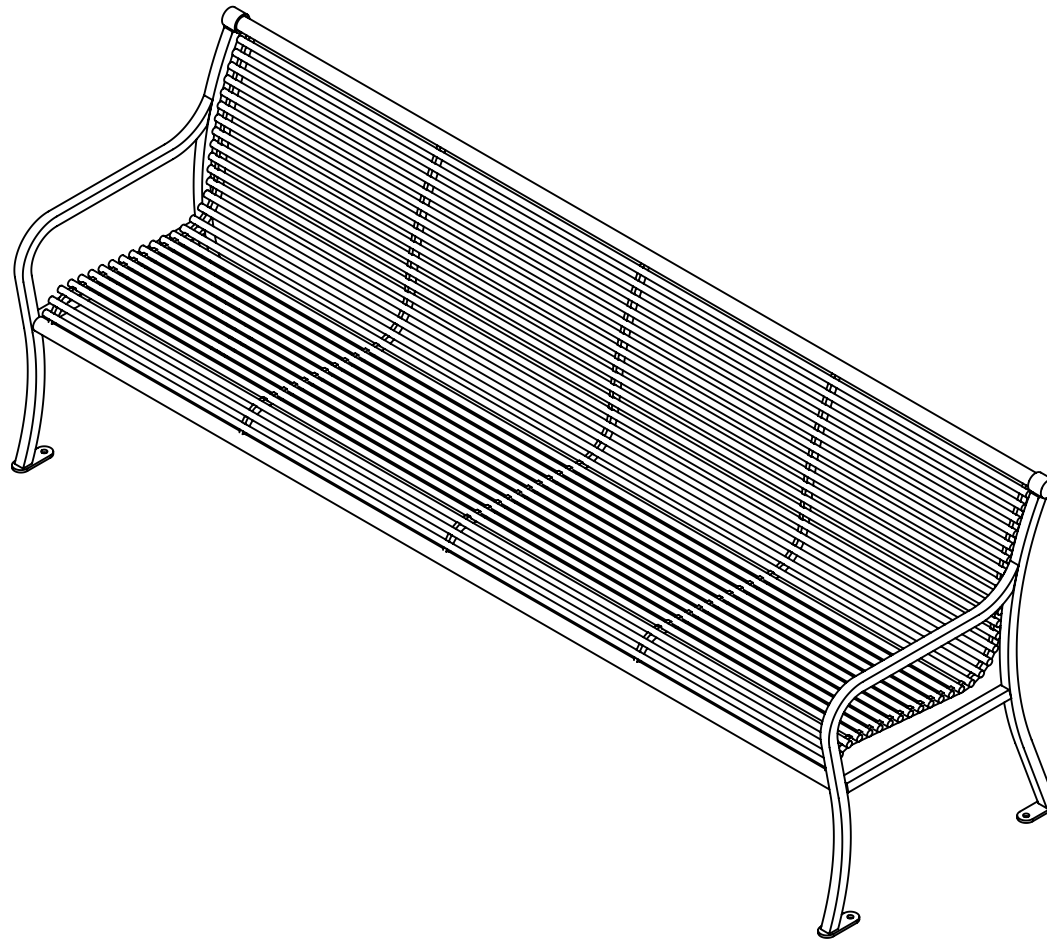
TITLE *MERIDIAN
BACKED BENCH*

PRODUCT NO.
MR1-2000

INCH TOLERANCES U.O.S.
FRACTION-- $\pm 1/16"$
ANG----- $\pm 1^\circ$

THE INFORMATION CONTAINED IN THIS DRAWING IS THE SOLE PROPERTY OF SITESCAPES, INC. ANY REPRODUCTION IN PART OR AS A WHOLE WITHOUT THE WRITTEN PERMISSION OF SITESCAPES, INC. IS PROHIBITED.

*Available in powder coat and DuraCoat finishes





P.O. Box 22326
Lincoln, NE 68542

PF: 402/421-9464
FX: 402/421-9479

WEBSITE: www.sitescapesonline.com
E-MAIL: info@sitescapesonline.com

TITLE *MERIDIAN
BACKED BENCH*

PRODUCT NO.
MR1-2000

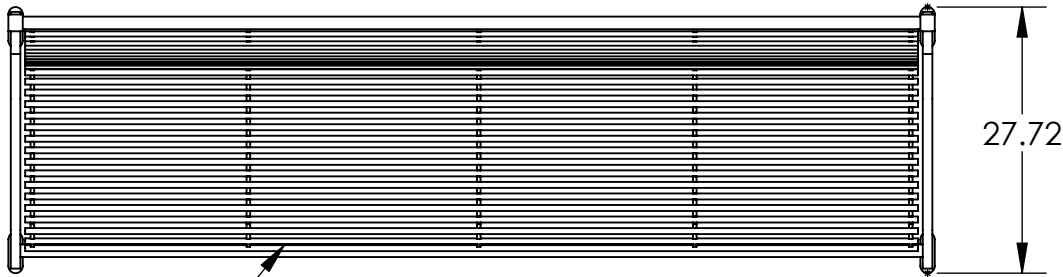
FRACTION-- $\pm 1/16"$
ANG----- $\pm 1^\circ$

THE INFORMATION CONTAINED IN THIS DRAWING IS THE SOLE PROPERTY OF SITESCAPES, INC. ANY REPRODUCTION IN PART OR AS A WHOLE WITHOUT THE WRITTEN PERMISSION OF SITESCAPES, INC. IS PROHIBITED.

*Available in powder coat and DuraCoat finishes

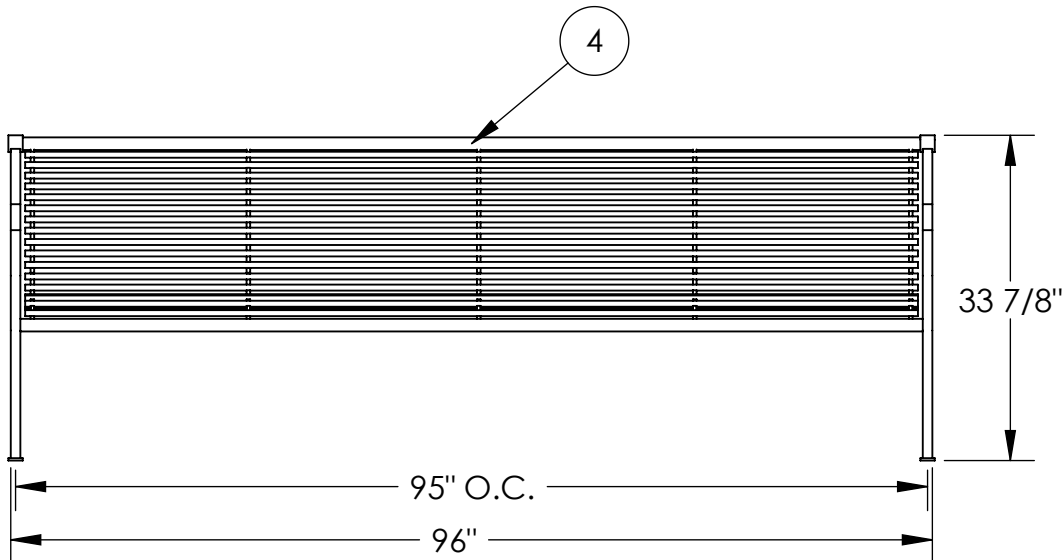
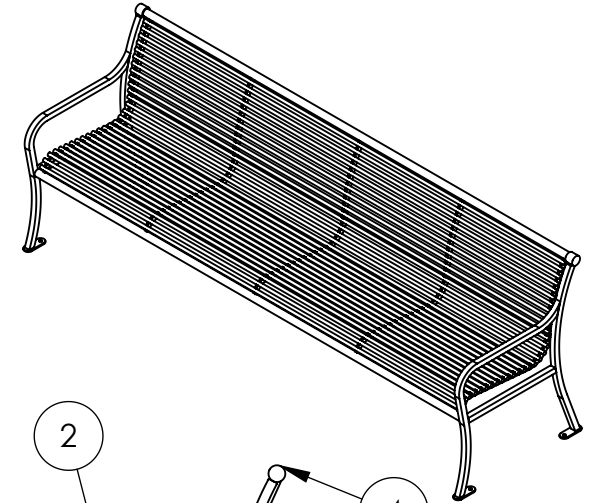
Materials List

- (1) Seat Straps - $\phi 5/8"$ Half Round Steel Bar
- (2) Seat Support Straps - $3/8"$ Laser Cut Sheet Metal
- (3) End Units - 1" Square Solid Steel Bar
- (4) Support Pipes - $\phi 1.315" \times .133"$ Steel Pipe
- (5) Surface Mount Plates - $1/4" \times 1 1/2"$ Stainless Steel Plate With Tapped Mounting Hole
- (6) Mounted with Four $\phi 5/8" \times 4-5"$ Stainless Steel Anchor Bolts (Customer Supplied)

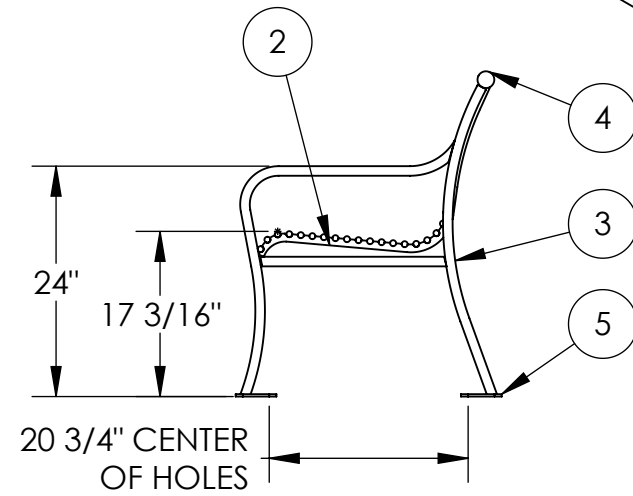


TOP VIEW

1



FRONT VIEW



RIGHT SIDE VIEW