



P.O. Box 22326  
Lincoln, NE 68542

PF: 402/421-9464 | WEBSITE: [www.sitescapesonline.com](http://www.sitescapesonline.com)  
FX: 402/421-9479 | E-MAIL: [info@sitescapesonline.com](mailto:info@sitescapesonline.com)

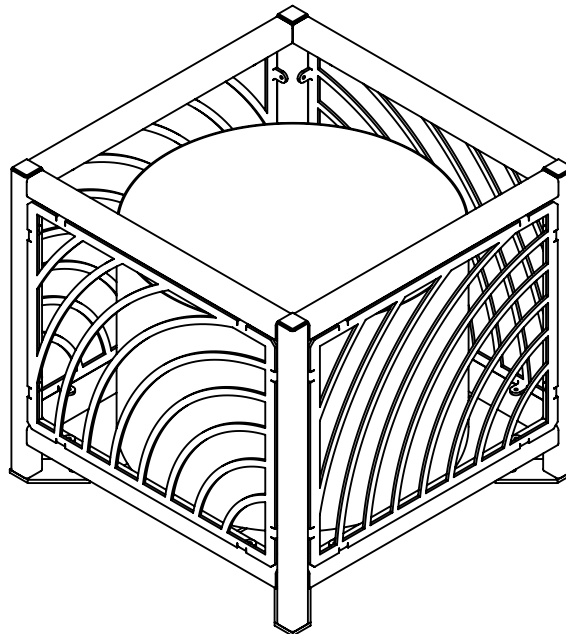
TITLE *JORDAN CREEK  
PLANTER*

PRODUCT NO.  
*JC4-1000*

INCH TOLERANCES U.O.S.  
FRACTION--  $\pm 1/16"$   
ANG-----  $\pm 1^\circ$

THE INFORMATION CONTAINED IN THIS DRAWING IS THE SOLE PROPERTY OF SITESCAPES, INC. ANY REPRODUCTION IN PART OR AS A WHOLE WITHOUT THE WRITTEN PERMISSION OF SITESCAPES, INC. IS PROHIBITED.

\*Available in powder coat and DuraCoat finishes





P.O. Box 22326  
Lincoln, NE 68542

PF: 402/421-9464  
FX: 402/421-9479

WEBSITE: [www.sitescapesonline.com](http://www.sitescapesonline.com)  
E-MAIL: [info@sitescapesonline.com](mailto:info@sitescapesonline.com)

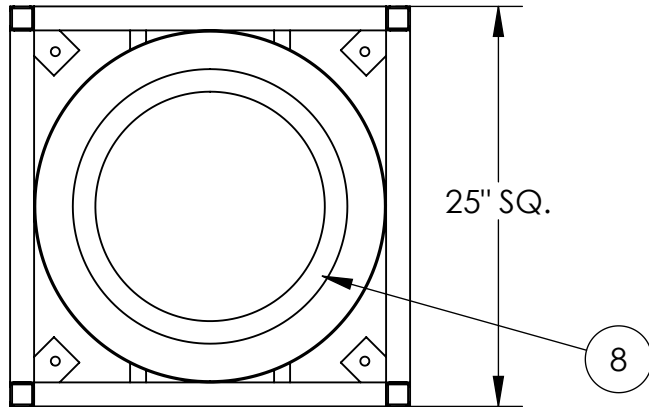
TITLE *JORDAN CREEK  
PLANTER*

PRODUCT NO.  
*JC4-1000*

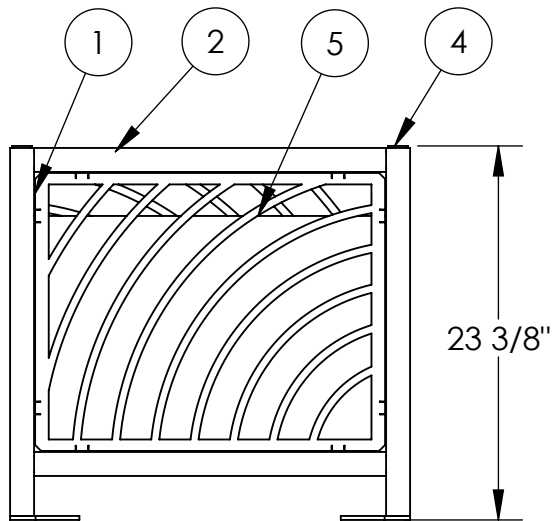
FRACTION--  $\pm 1/16"$   
ANG-----  $\pm 1^\circ$

THE INFORMATION CONTAINED IN THIS DRAWING IS THE SOLE PROPERTY OF SITESCAPES, INC. ANY REPRODUCTION IN PART OR AS A WHOLE WITHOUT THE WRITTEN PERMISSION OF SITESCAPES, INC. IS PROHIBITED.

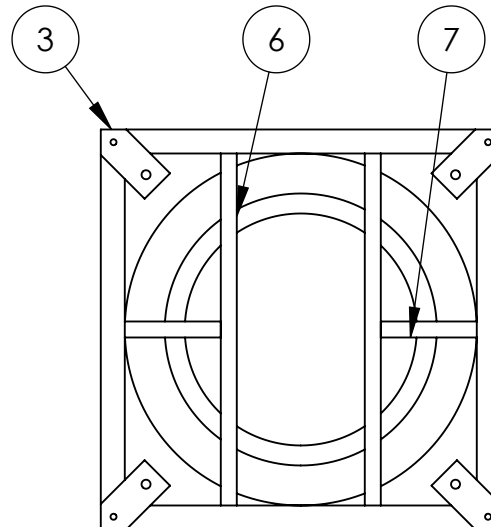
\*Available in powder coat and DuraCoat finishes



TOP VIEW



FRONT VIEW



BOTTOM VIEW

MATERIALS LIST

- (1) 1 1/2" SQ. Steel Tubing 11 GA. Wall
- (2) 1 1/2" SQ. Steel Tubing 11 GA. Wall
- (3) Foot Plates - 1/4" X 2 1/4" Stainless Steel Flat Bar With  $\phi 9/16"$  Mounting Holes
- (4) 11 GA. X 1 1/4" SQ. Mild Steel
- (5) 7 GA. Mild Steel Plate
- (6) 1/4" X 1" Steel Flat Bar
- (7) 1/4" X 1" Steel Flat Bar
- (8) 20 Gallon Plastics Liner With Handle Included

