



P.O. Box 22326
Lincoln, NE 68542

PF: 402/421-9464 | WEBSITE: www.sitescapesonline.com
FX: 402/421-9479 | E-MAIL: info@sitescapesonline.com

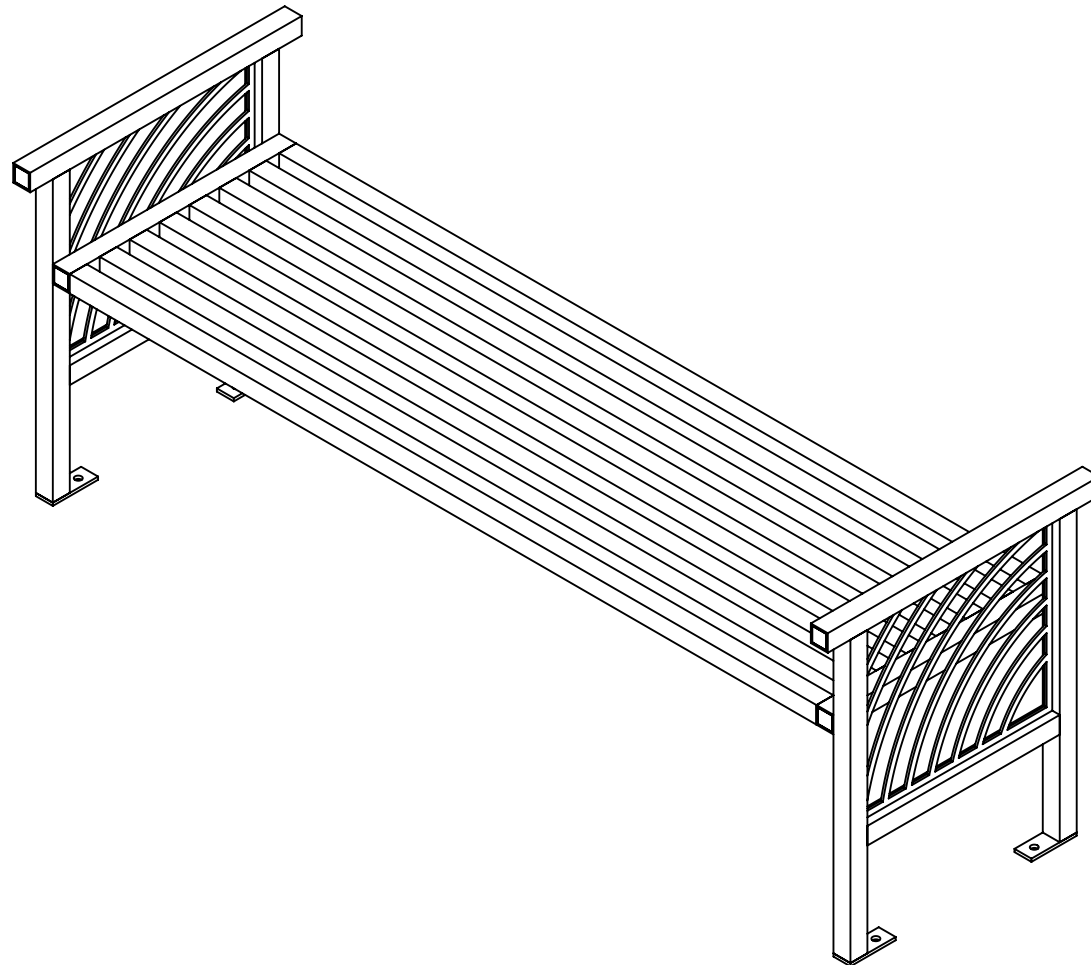
TITLE *JORDAN CREEK
BACKLESS BENCH*

PRODUCT NO.
JC1-1100

INCH TOLERANCES U.O.S.
FRACTION-- $\pm 1/16"$
ANG----- $\pm 1^\circ$

THE INFORMATION CONTAINED IN THIS DRAWING IS THE SOLE PROPERTY OF SITESCAPES, INC. ANY REPRODUCTION IN PART OR AS A WHOLE WITHOUT THE WRITTEN PERMISSION OF SITESCAPES, INC. IS PROHIBITED.

*Available in powder coat and DuraCoat finishes





P.O. Box 22326
Lincoln, NE 68542

PF: 402/421-9464
FX: 402/421-9479

WEBSITE: www.sitescapesonline.com
E-MAIL: info@sitescapesonline.com

TITLE *JORDAN CREEK
BACKLESS BENCH*

PRODUCT NO.
JC1-1100

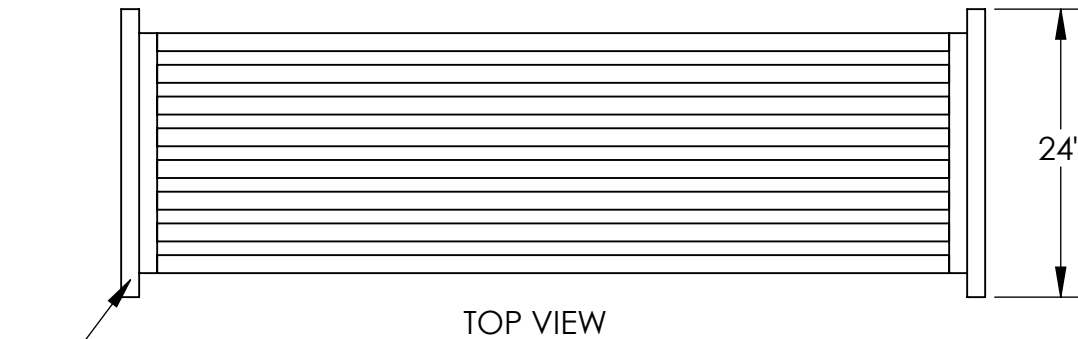
FRACTION-- $\pm 1/16"$
ANG----- $\pm 1^\circ$

THE INFORMATION CONTAINED IN THIS DRAWING IS THE SOLE PROPERTY OF SITESCAPES, INC. ANY REPRODUCTION IN PART OR AS A WHOLE WITHOUT THE WRITTEN PERMISSION OF SITESCAPES, INC. IS PROHIBITED.

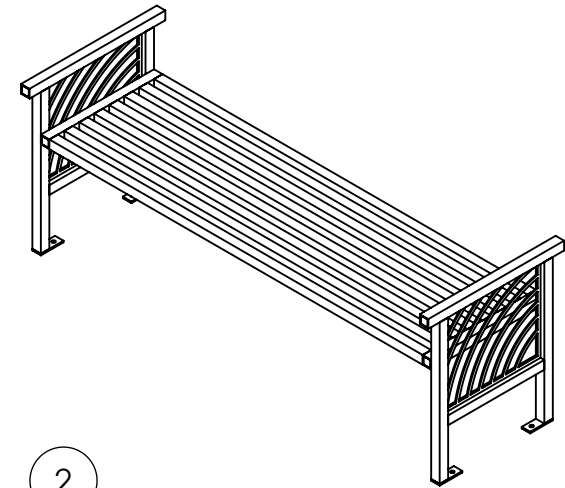
*Available in powder coat and DuraCoat finishes

MATERIALS LIST

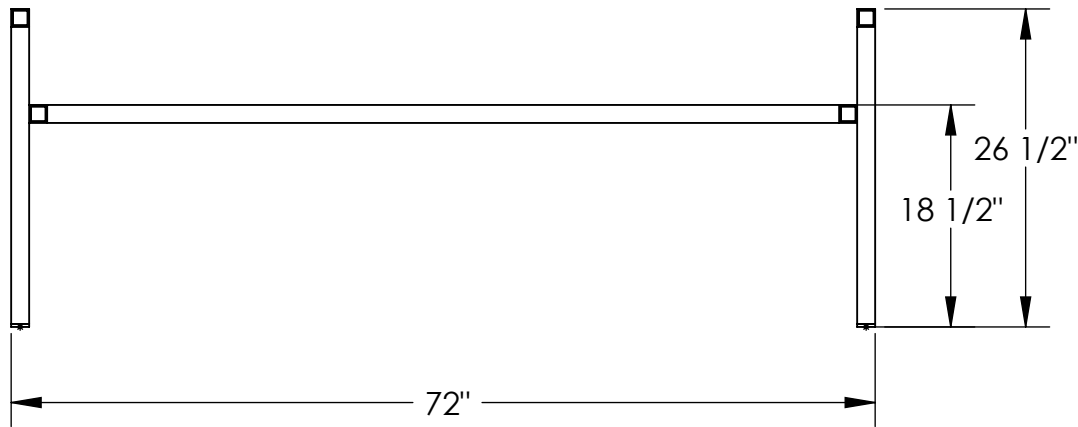
- (1) Frame - 1 1/2" Sq. x 11 Ga. Wall Steel Tubing
- (2) Panels - 7 Ga. Steel Sheet Metal
- (3) Foot Plates - 1/4" x 1 1/2" Steel Flat Bar with 9/16" mounting Holes
- (4) Mounted with Four $\phi 1/2"$ X 4-5 Stainless Steel Anchor Bolts (Customer Supplied)



1



2



3

14" CENTER OF HOLES

